

EASTON

EAXT24

Easton Classic Exposed Tub Filler, Black Porcelain Handshower and Lever Diverter



SHOWN IN EASTON CLASSIC EXPOSED TUB FILLER, BLACK PORCELAIN HANDSHOWER AND LEVER DIVERTER| EAXT24

TECHNICAL DETAILS

ADA Compliance: No
 Adjustable versus Fixed Spray: Fixed Spray
 Flow Restriction Options: 2.5, 2.0, 1.75, 1.5, 0.92
 Handle Spread Maximum: 7 1/4"
 Handle Spread Minimum: 7 1/4"
 Handle Turn Angle: Quarter Turn
 Handshower / Spray Hose Length: 59"
 Index Color / Finish and Material: White Porcelain
 Depth / Width: 6 3/4"
 Height: 15 1/2"
 Inlet Connection Size: 3/4"
 Inlet Connection Type: Female Union Nut
 Inlet Supply Spread Maximum: 7 1/4"
 Inlet Supply Spread Minimum: 7 1/4"
 Installation Type: Wall or deck mounted
 Integrated Diverter: Y
 Length: 11"
 Primary Material: Brass
 Suggested Application: Bath
 Water Pressure Maximum: 75.0 psi
 Water Pressure Minimum: 20.0 psi
 Water Pressure Recommended: 45.0 psi

INSPIRATION

Drawing on Edwardian style, Easton is the most extensive Waterworks family; a range of moods and a selection of products from fittings to furniture.

CODES & STANDARDS

ASME A112.18.1, CSA B125, ASSE 1014, State of MA

PRODUCT FEATURES

Easton is our most comprehensive fittings family.

Easton has a clean-lined utilitarian profile, with a slightly elongated spout.

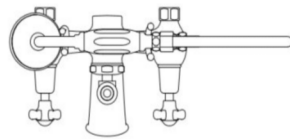
Stocked in 2.5gpm (9.5 L/min) and 1.75gpm (6.6 L/min) for handshower. State of California requires 1.75gpm (6.6 L/min) to comply with their water conservation requirements. Other flow options are available to order, contact your sales associate or call 1 (800) 899-6757 for details.



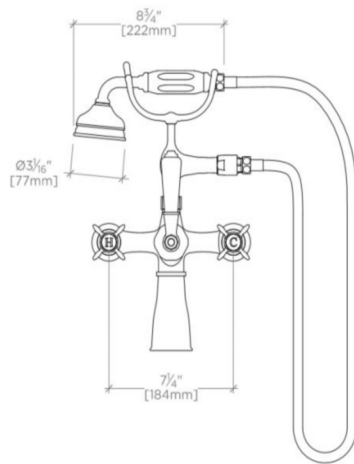
EASTON

EAXT24

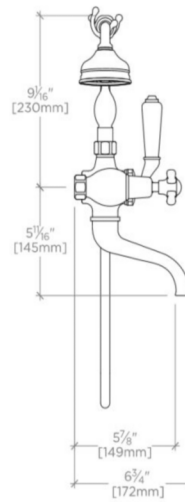
Easton Classic Exposed Tub Filler, Black Porcelain Handshower and Lever Diverter



TOP VIEW SCALE: 1½"=1'-0"



FRONT VIEW SCALE: 1½"=1'-0"



SIDE VIEW SCALE: 1½"=1'-0"