



DP DS

filter housings
with rotational
connection group
for cartridges
SX and BX

Brand new range
of housings with
360° rotational
connection group
for easy connection to
horizontal or vertical pipes

HOUSINGS DP DS

FOR CARTRIDGES SX and BX

Housings DP DS fit to both standard SX (DOE) cartridges and to exclusive BX cartridges.

The full range of Atlas Filtri® SX and BX cartridges is suitable to DP DS and provides the widest range of water filtration and treatment units.

DP DS housings are manufactured with the finest and most advanced materials under constant focus on innovative processing technologies and ceaseless modernization to ensure the absolute quality of our products.

Housings DP DS with discharge valve are provided with a drain funnel to protect potable water from pollution by back-flow, in compliance with **UNI EN 1717-11/2002**.



SX cartridges with standard flat seals.



BX cartridges with 45 mm double o-ring collar. Quick-fit connection for a perfect tightening.



360°

MP models with plastic connections at 3/4" and 1"



DP DS MP models come complete with 3/4" and 1" nipples all together in the package

MP group is made of a special high-resistance plastic, resulting from the most advanced research and development in materials and production processes.



360°

MO models with brass connections at 3/4" or 1"

ACCESSORIES INCLUDED



-X- spanner



Filterfit - cartridge centering device

DISCHARGE KIT FOR -S- MODEL



brass discharge ball-valve with gasket



plastic hose-holder



plastic nipple with o-ring



drain funnel

In compliance with the European Standard UNI EN 1717/2002: designed to prevent back-flow contamination by making all elements downstream the discharge vent to atmosphere (protection unit symbol: DC)

ACCESSORIES ON DEMAND



-KIT AUTO- for S models CODE RE7120024 automatic discharge kit (see pages 186-187)



-LUBRIKIT- single-dose lubricant for housing o-ring CODE RE9020650

SYMBOLS LEGEND



For domestic use

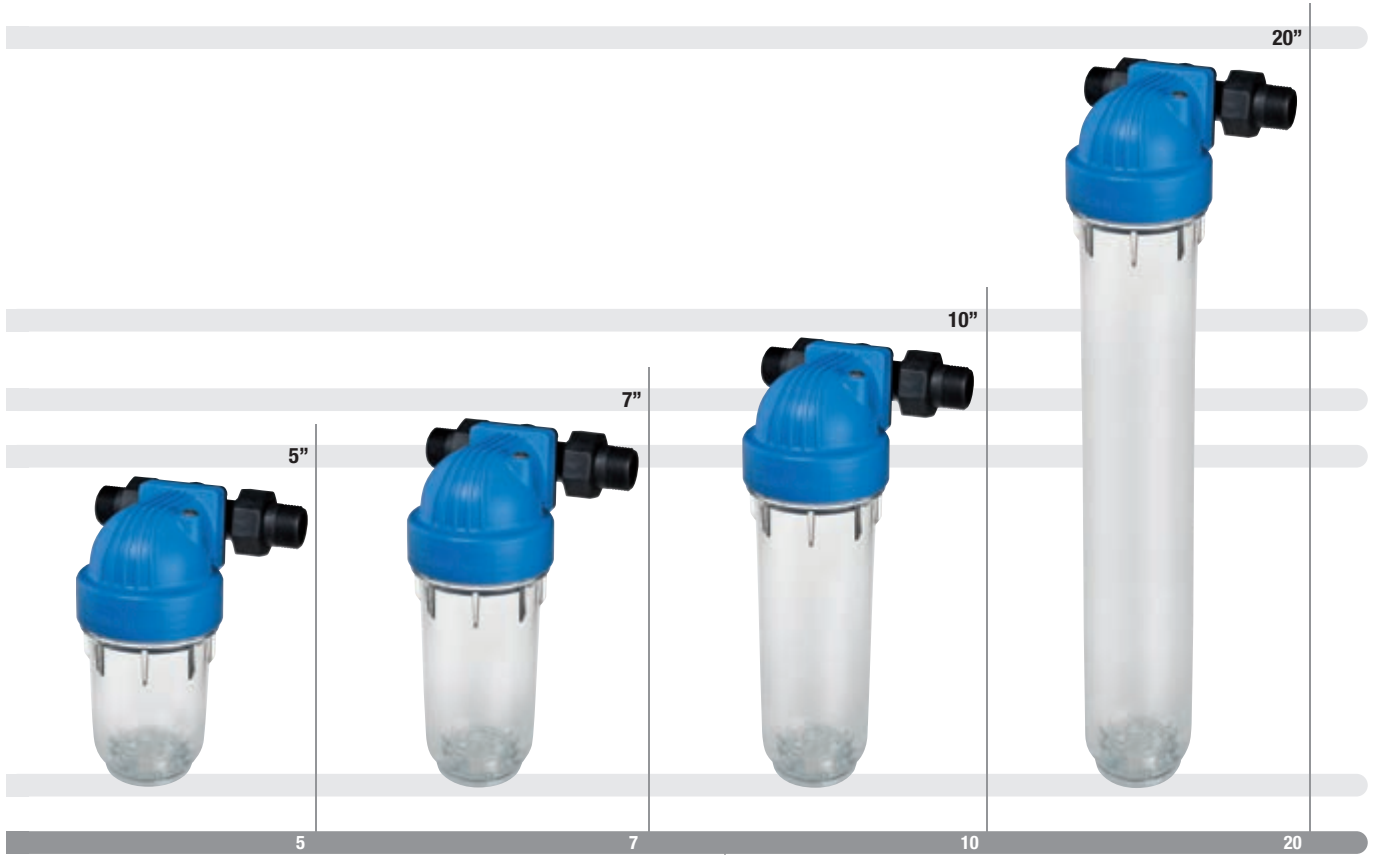


For technical and industrial use








Filter housings made in PET, a highly recyclable plastic, are manufactured with a proprietary procedure saving up to 60% of energy in injection molding compared with standard plastics. That is one of Atlas Filtri commitments to comply with Kyoto Treaty for the reduction of green house gas (CO₂) emissions in the atmosphere.

HOUSINGS RANGE



DP FILTER HOUSINGS

DP	10	DS	MP 3/4"-1"	TS
HOUSINGS MODEL	HOUSINGS HEIGHT	VERSION	IN / OUT ROTATIONAL GROUP TYPE	BOWL TYPE
<p>DP</p>  <p>DP S</p> 			<p>MP 3/4"-1"</p>  <p>MO 3/4"</p>  <p>MO 1"</p> 	<p>TS - CLEAR (PET)</p>  <p>AB - BLUE (PET)</p>  <p>BW - WHITE (PET)</p> 

CERTIFICATIONS



Housings are tested and certified under the most stringent procedures worldwide, in compliance with DM 25 (Italy), with the sanitary certification EAC/ Ghostreghistrizia (Russia) and WaterMark (Australia).



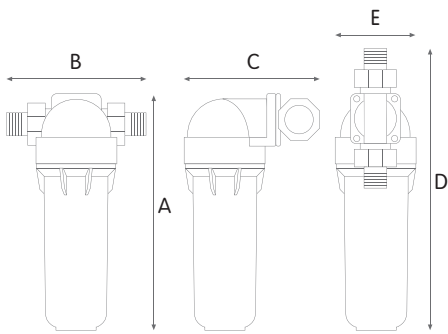
DP DS

WORKING CONDITIONS

Max working pressure _____ 8 bar (116 psi)
 Max working temperature _____ 45°C (113°F)
 Min working temperature _____ 4°C (39,2°F)

SPECIFICATIONS

Non-toxic materials, suitable for drinking water.
 Head: reinforced polypropylene.
 Bowl: PET.
 O-rings: EPDM.
 Breather-valve: body polypropylene, o-ring EPDM.
 MP plastic rotational connection group: reinforced nylon.
 Rotational connection group gaskets: NBR.



DP DS MP with plastic rotational group

CLEAR BOWL HOUSING MODELS



CODE	MODEL	SUITABLE CARTRIDGE	IN/OUT	DIMENSIONS mm		
				A	B	C
RA1410201	DP 5 DS MP 3/4"- 1" TS	5"	3/4" - 1"	206	172	170
RA1410301	DP 7 DS MP 3/4"- 1" TS	7"	3/4" - 1"	255	172	170
RA1410401	DP 10 DS MP 3/4"- 1" TS	10"	3/4" - 1"	331	172	170
RA1410501	DP 20 DS MP 3/4"- 1" TS	20"	3/4" - 1"	585	172	170

BLUE BOWL HOUSING MODELS



CODE	MODEL	SUITABLE CARTRIDGE	IN/OUT	DIMENSIONS mm		
				A	B	C
RA1410202	DP 5 DS MP 3/4"- 1" AB	5"	3/4" - 1"	206	172	170
RA1410302	DP 7 DS MP 3/4"- 1" AB	7"	3/4" - 1"	255	172	170
RA1410402	DP 10 DS MP 3/4"- 1" AB	10"	3/4" - 1"	331	172	170
RA1410502	DP 20 DS MP 3/4"- 1" AB	20"	3/4" - 1"	585	172	170

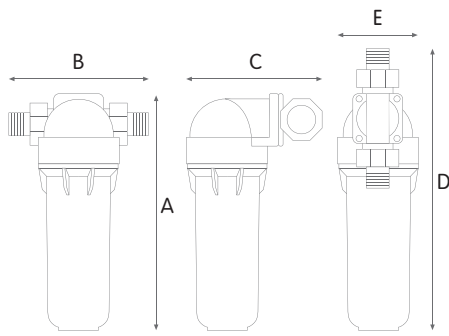
WHITE BOWL HOUSING MODELS



CODE	MODEL	SUITABLE CARTRIDGE	IN/OUT	DIMENSIONS mm		
				A	B	C
RA1410203	DP 5 DS MP 3/4"- 1" BW	5"	3/4" - 1"	206	172	170
RA1410303	DP 7 DS MP 3/4"- 1" BW	7"	3/4" - 1"	255	172	170
RA1410403	DP 10 DS MP 3/4"- 1" BW	10"	3/4" - 1"	331	172	170
RA1410503	DP 20 DS MP 3/4"- 1" BW	20"	3/4" - 1"	585	172	170

VARIANTS AVAILABLE ON MINIMUM QUANTITY:

- RT housings suitable for filter cartridges with length 508 mm



WORKING CONDITIONS

Max working pressure _____ 8 bar (116 psi)
 Max working temperature _____ 45°C (113°F)
 Min working temperature _____ 4°C (39,2°F)

SPECIFICATIONS

Non-toxic materials, suitable for drinking water.
 Head: reinforced polypropylene.
 Bowl: PET.
 O-rings: EPDM.
 Breather-valve: body polypropylene, o-ring EPDM.
 MO brass rotational connection group: CW 617 N brass.
 Rotational connection group gaskets: NBR.

DP DS MO with brass rotational group

CLEAR BOWL HOUSING MODELS

CODE	MODEL	SUITABLE CARTRIDGE	IN/OUT	DIMENSIONS mm		
				A	B	C
RA1410211	DP 5 DS MO 3/4" TS	5"	3/4"	206	164	164
RA1410221	DP 5 DS MO 1" TS	5"	1"	206	168	164
RA1410311	DP 7 DS MO 3/4" TS	7"	3/4"	255	164	164
RA1410321	DP 7 DS MO 1" TS	7"	1"	255	168	164
RA1410411	DP 10 DS MO 3/4" TS	10"	3/4"	331	164	164
RA1410711	DP 10 DS MO 1" TS	10"	1"	331	168	164
RA1410811	DP 20 DS MO 3/4" TS	20"	3/4"	585	164	164
RA1410911	DP 20 DS MO 1" TS	20"	1"	585	168	164

BLUE BOWL HOUSING MODELS

CODE	MODEL	SUITABLE CARTRIDGE	IN/OUT	DIMENSIONS mm		
				A	B	C
RA1410212	DP 5 DS MO 3/4" AB	5"	3/4"	206	164	164
RA1410222	DP 5 DS MO 1" AB	5"	1"	206	168	164
RA1410312	DP 7 DS MO 3/4" AB	7"	3/4"	255	164	164
RA1410322	DP 7 DS MO 1" AB	7"	1"	255	168	164
RA1410412	DP 10 DS MO 3/4" AB	10"	3/4"	331	164	164
RA1410712	DP 10 DS MO 1" AB	10"	1"	331	168	164
RA1410812	DP 20 DS MO 3/4" AB	20"	3/4"	585	164	164
RA1410912	DP 20 DS MO 1" AB	20"	1"	585	168	164

WHITE BOWL HOUSING MODELS

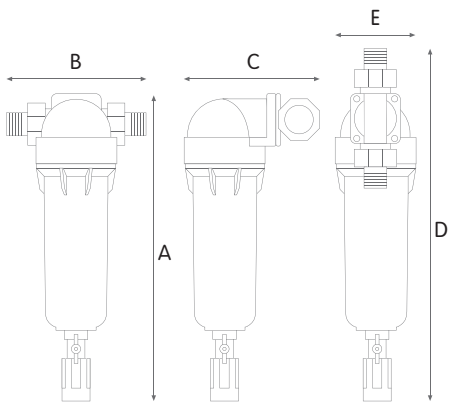
CODE	MODEL	SUITABLE CARTRIDGE	IN/OUT	DIMENSIONS mm		
				A	B	C
RA1410213	DP 5 DS MO 3/4" BW	5"	3/4"	206	164	164
RA1410223	DP 5 DS MO 1" BW	5"	1"	206	168	164
RA1410313	DP 7 DS MO 3/4" BW	7"	3/4"	255	164	164
RA1410323	DP 7 DS MO 1" BW	7"	1"	255	168	164
RA1410413	DP 10 DS MO 3/4" BW	10"	3/4"	331	164	164
RA1410713	DP 10 DS MO 1" BW	10"	1"	331	168	164
RA1410813	DP 20 DS MO 3/4" BW	20"	3/4"	585	164	164
RA1410913	DP 20 DS MO 1" BW	20"	1"	585	168	164

VARIANTS AVAILABLE ON MINIMUM QUANTITY:

- RT housings suitable for filter cartridges with length 508 mm



DP S DS only for BX cartridges



WORKING CONDITIONS

Max working pressure _____ 8 bar (116 psi)
 Max working temperature _____ 45°C (113°F)
 Min working temperature _____ 4°C (39,2°F)

SPECIFICATIONS

Non-toxic materials, suitable for drinking water.
 Head: reinforced polypropylene.
 Bowl: PET.
 O-rings: EPDM.
 Breather-valve: body polypropylene, o-ring EPDM.
 MP plastic rotational connection group: reinforced nylon.
 MO brass rotational connection group: CW 617 N brass.
 Rotational connection group gaskets: NBR.
 Discharge ball-valve: CW 617 N brass nickel plated.
 Discharge plastic nipple: reinforced polypropylene.
 Drain funnel: reinforced polypropylene.



DRAIN FUNNEL
 Back-flow preventing device
 UNI EN 1717-11/2002

DP S DS MP with plastic rotational group and discharge valve

CLEAR BOWL HOUSING MODELS

CODE	MODEL	SUITABLE CARTRIDGE	IN/OUT	DIMENSIONS mm		
				A	B	C
RA1410431	DP S 10 DS MP 3/4" - 1" TS	10"	3/4" - 1"	481	172	170
RA1410531	DP S 20 DS MP 3/4" - 1" TS	20"	3/4" - 1"	730	172	170



DP S DS MO with brass rotational group and discharge valve

CLEAR BOWL HOUSING MODELS

CODE	MODEL	SUITABLE CARTRIDGE	IN/OUT	DIMENSIONS mm		
				A	B	C
RA1410441	DP S 10 DS MO 3/4" TS	10"	3/4"	481	164	164
RA1410741	DP S 10 DS MO 1" TS	10"	1"	481	168	164
RA1410841	DP S 20 DS MO 3/4" TS	20"	3/4"	730	164	164
RA1410941	DP S 20 DS MO 1" TS	20"	1"	730	168	164



VARIANTS AVAILABLE ON MINIMUM QUANTITY:

- RT housings suitable for filter cartridges with length 508 mm