

EASTON

EAXT25

Easton Classic Exposed Tub Filler, Oak Handshower and Lever Diverter



SHOWN IN NICKEL WITH OAK

TECHNICAL DETAILS

ADA Compliance: No
Adjustable versus Fixed Spray: Fixed Spray
Flow Restriction Options: 2.0, 1.75, 1.5, 0.92
Handle Spread Maximum: 7 1/4"
Handle Spread Minimum: 7 1/4"
Handle Turn Angle: Quarter Turn
Handshower / Spray Hose Length: 59"
Index Color / Finish and Material: White Porcelain
Depth / Width: 6 3/4"
Height: 15 1/2"
Inlet Connection Size: 3/4"
Inlet Connection Type: Female Union Nut
Inlet Supply Spread Maximum: 7 1/4"
Inlet Supply Spread Minimum: 7 1/4"
Installation Type: Wall or deck mounted
Integrated Diverter: Y
Length: 11"
Primary Material: Brass
Restricted Maximum Flow Rate: 2.5 gpm
Suggested Application: Bath
Water Pressure Maximum: 75.0 psi
Water Pressure Minimum: 20.0 psi
Water Pressure Recommended: 45.0 psi

INSPIRATION

Easton is a timeless escape and draws on the deep waters of Edwardian style. Easton is the most extensive family in the Waterworks collection, with a range of moods from traditional to modern, and a selection of products from fittings to furniture.

CODES & STANDARDS

ASME A112.18.1, CSA B125, ASSE 1014, State of MA

PRODUCT FEATURES

Brass metal is used for all trim and valve components.

The manufacturing process encompasses casting, turning, forging, hand-fitting and hand polishing.

Easton is our most comprehensive fittings family.

Easton has a clean-lined utilitarian profile, with a slightly elongated spout.

Standard flow rate is 2.5gpm for handshower only. Also available in high efficient flow options.

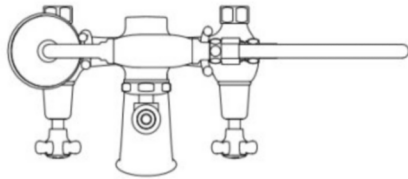
Contact your sales associate or call 1 (800) 899-6757 for details.

WATERWORKS

EASTON

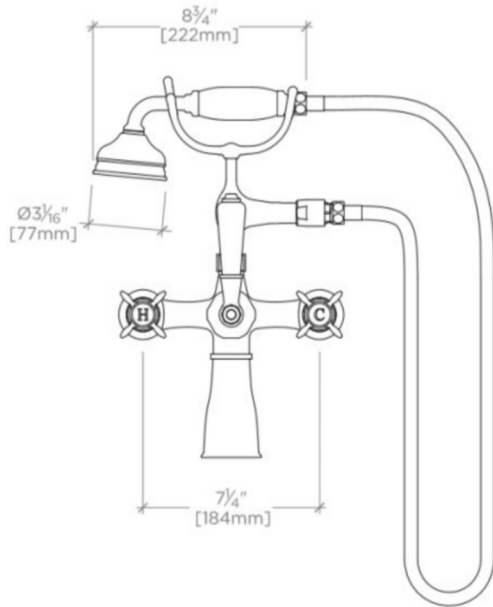
EAXT25

Easton Classic Exposed Tub Filler, Oak Handshower and Lever Diverter



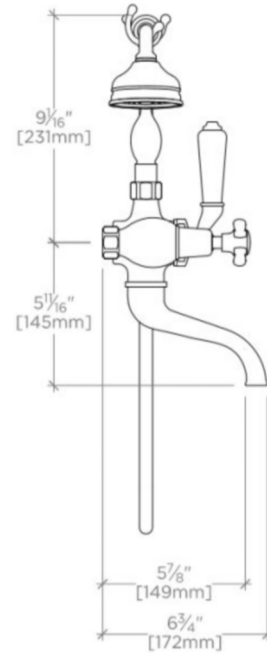
TOP VIEW

SCALE: 1½"=1'-0"



FRONT VIEW

SCALE: 1½"=1'-0"



SIDE VIEW

SCALE: 1½"=1'-0"