



TECHNICAL DETAILS

- ADA Compliance: Yes
- Deck Thickness Maximum: 2"
- Deck Thickness Minimum: 1/8"
- Fitting Hole Diameter: 1 1/8"
- Number of Holes: 6
- Number of Handles: 2
- Handle Spread Maximum: 12"
- Handle Spread Minimum: 8"
- Handle Turn Angle: Quarter Turn
- Inlet Connection Type: Male 3/4" NPT
- Installation Type: Deck Mounted
- Primary Material: Brass
- Valve Material: Ceramic
- Flow Restriction: Full Flow
- Water Pressure Maximum: 85 PSI
- Water Pressure Minimum: 20 PSI
- Water Pressure Recommended: 60 PSI

PRODUCT FEATURES

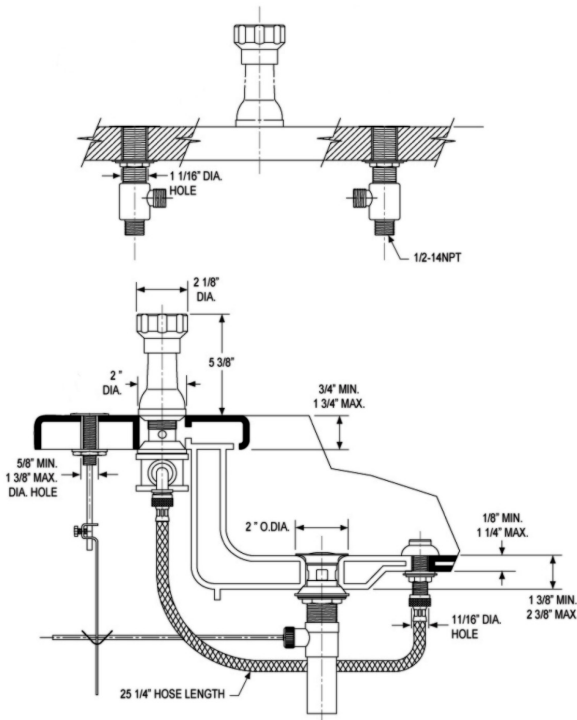
- Style: Traditional
- Collection: Hex Modern
- Temperature Controlled By Handles

CODES & STANDARDS

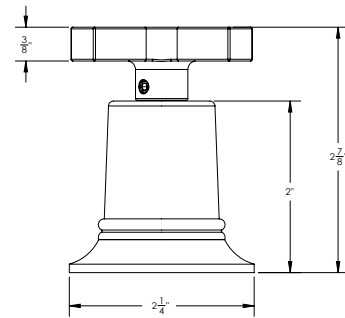
ASME A112.181/ CSA B1251, ASME 112.18.2/ CSA B125.2, ANSI NSF, CEC

WARRANTY

Mechanical Warranty: 10 Years from date of purchase.
finish warranty: see catalog for further information.



501-60



501-61

