

WATERWORKS

EASTON

EAXT35

Easton Vintage Exposed Tub Filler, Oak Handshower and Lever Diverter



SHOWN IN NICKEL WITH OAK

TECHNICAL DETAILS

ADA Compliance: No
Adjustable versus Fixed Spray: Fixed Spray
Flow Restriction Options: 2.0, 1.75, 1.5, 0.92
Handle Spread Maximum: 7 1/4"
Handle Spread Minimum: 7 1/4"
Handle Turn Angle: Quarter Turn
Handshower / Spray Hose Length: 59"
Index Color / Finish and Material: White Porcelain
Depth / Width: 6 3/4"
Height: 15 1/2"
Inlet Connection Size: 3/4"
Inlet Connection Type: Female Union Nut
Inlet Supply Spread Maximum: 7 1/4"
Inlet Supply Spread Minimum: 7 1/4"
Installation Type: Wall or deck mounted
Integrated Diverter: N
Length: 11"
Primary Material: Brass
Restricted Maximum Flow Rate: 2.5 gpm
Suggested Application: Bath
Water Pressure Maximum: 75.0 psi
Water Pressure Minimum: 20.0 psi
Water Pressure Recommended: 45.0 psi

INSPIRATION

Easton is a timeless escape and draws on the deep waters of Edwardian style. Easton is the most extensive family in the Waterworks collection, with a range of moods from traditional to modern, and a selection of products from fittings to furniture.

CODES & STANDARDS

ASME A112.18.1, CSA B125, ASSE 1014, IAPMO, State of MA

PRODUCT FEATURES

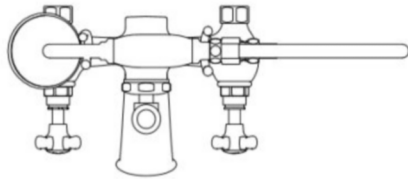
Standard flow rate is 2.5gpm for handshower only. Also available in high efficient flow options. Contact your sales associate or call 1 (800) 899-6757 for details.

WATERWORKS

EASTON

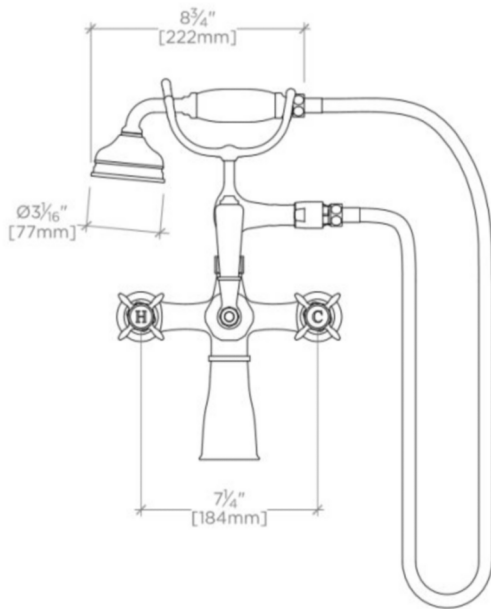
EAXT35

Easton Vintage Exposed Tub Filler, Oak Handshower and Lever Diverter



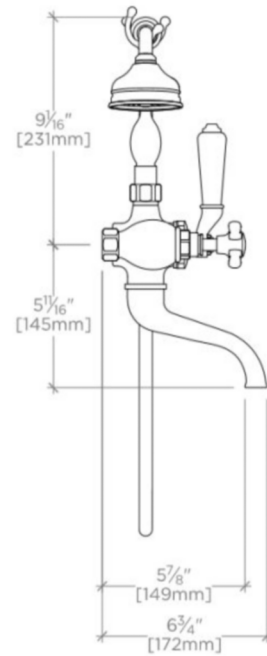
TOP VIEW

SCALE: 1 1/2"=1'-0"



FRONT VIEW

SCALE: 1 1/2"=1'-0"



SIDE VIEW

SCALE: 1 1/2"=1'-0"