

HARMONIA SERIES

Double towel rail



AI1411B
Black finish



AI1411C
Bright finish



AI1411CS
Satin finish

General Description

- Double towel rail, 600 mm in length with double wall fixation and a hidden wall mounting system, made of AISI 304 stainless steel, from Mediclinics' Harmonia series.
- With a minimalist design, this towel rail is ideal for elegant and modern bathroom spaces.
- These bathroom accessories are ideal for bathrooms in hotels, restaurants, hospitals and nursing homes, as well as for your own home.
- Product suitable for public use.
- Extremely durable thanks to the high-quality, anti-corrosive and highly resistant stainless steel.
- Includes stainless steel hardware kit for an easy, convenient and quick installation on brick walls.

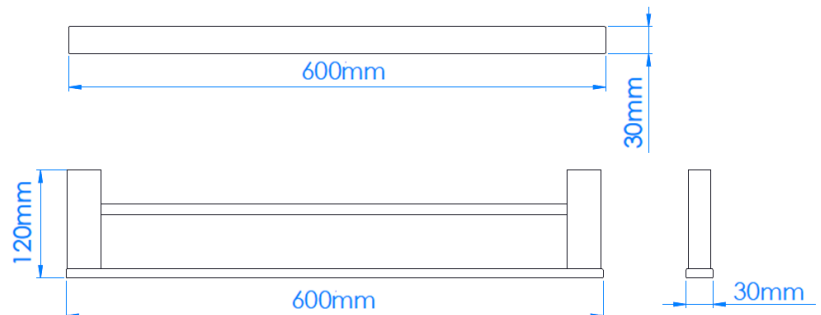
Components and materials

- **AI1411B:** double towel rail made of AISI 304 stainless steel black finish.
- **AI1411C:** double towel rail made of AISI 304 stainless steel bright finish.
- **AI1411CS:** double towel rail made of AISI 304 stainless steel satin finish.
- **MAIN RAIL:** made with AISI 304 stainless steel rectangular tube.
- **AUXILIARY RAIL:** made with AISI 304 stainless steel cylindrical tube of $\varnothing 12$ mm. Welded to the wall brackets.
- **WALL BRACKETS:** two units, made with AISI 304 stainless steel rectangular tube of 38x25mm and 1mm de thick. Attached to the bar by means of a threaded stud and nut.
- **WALL ANCHORS:** two units, made of aluminum. Attached to the wall bracket by means of two screws. It has two holes for wall mounting. They always remain hidden from the user's view.

Technical Specifications

Dimensions	600 x 30 x 120 mm
Wall bracket thickness	1.0 mm
Auxiliary rail diameter	12 mm
Auxiliary rail length	515 mm
Net weight	780 g

Dimensions



Dimensions: $\pm 4\%$

Mediclinics, S.A., reserves the right to make changes and/or modifications to the products and their specifications without prior notice
Review 07-20 © mediclinics S.A.

