



# IB RUBINETTI

Collection

## BYE BYE

Article

## BB002

Description

**WC cover plate with double water flush**

Box Dimensions

**350 x 270 x 45 mm**

Weight

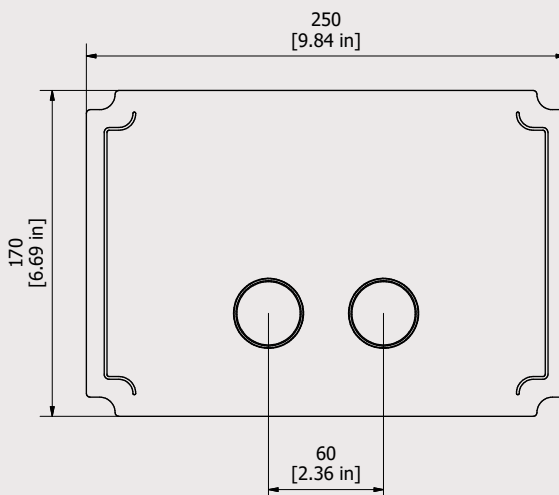
**3.2 kg**



Finishes

- **CC** CHROME
- **CF** BLACK CHROME
- **BG** GLOSSY WHITE
- **NG** GLOSSY BLACK
- **SS** BRUSHED NICKEL
- **CS** BRUSHED BLACK CHROME
- **BO** MATT WHITE
- **NP** MATT BLACK
- **OO** GOLD
- **BB** ANTIQUE BRONZE
- **II** PALE GOLD
- **RR** ANTIQUE COPPER
- **RS** ROSE GOLD
- **ON** NATURAL BRASS
- **IS** BRUSHED PALE GOLD
- **OS** BRUSHED GOLD
- **SR** BRUSHED ROSE GOLD
- **PL** PLATINUM

Dimensions



Compatibility

**UP720 / sigma 8**  
**UP320 / sigma 8**

Hoses

Aerator

Flow Rate (+/-10%)

<b>1 BAR</b>	<b>2 BAR</b>	<b>3 BAR</b>
--------------	--------------	--------------

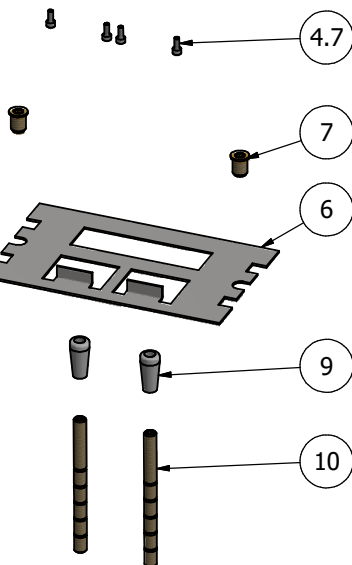
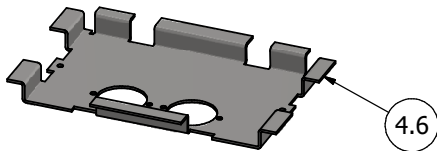
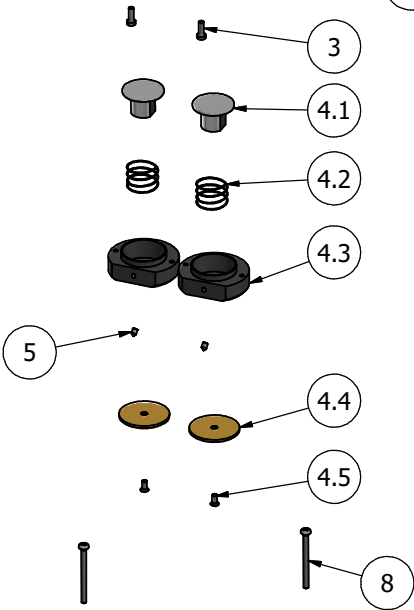
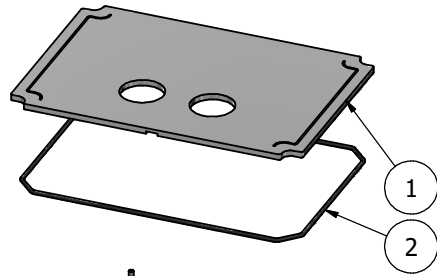
Production

Material

**BRASS**  
According to CuZn35Pb2Al-B (CB752S)  
Max Lead content: 1.36%



# IB RUBINETTI



Parts list			
ELEM	CODE	DESCRIPTION	QT
1	AC0016068	Outside plate	1
2	AQ0016061 _2	Gasket mousse Ø3	1
3	AQ0016069	Stainless steel screw M4x12	2
4	CPBB001C C-1	Pre-assembled key plate	1
4.1	AC0016060	Botton Ø33	2
4.2	AQ0016057	Spring Ø25 h 25	2
4.3	AS0016056	Insert Ø60 H19 M4F	2
4.4	AQ0016058	Washer Ø33 x Ø4 sp.2	2
4.5	AQ0010280	Inox screw M4X8,5	2
4.6	AQ0016059	Plate for bottoni	1
4.7	AQ0010381	Inox screw M4 X 10	4
5	AQ0010444	Grubscrew M4x6 cone point	2
6	AQ0016063	Bottom plate 205 x 125 sp.1.5	1
7	AS0016062	Insert M12 x 1.5 H17	2
8	AQ0014629	Inox screw M4x50	2
9	AQ0016064	Regulator insert M10 X 1.5 L32	2
10	AS0016065	Threaded insert M10 X 1.5 L120	2

**WARRANTY**

All IB Rubinetterie SpA products are warranted for 10 years from the date of purchase, for the following cases:

- Defects of casting, porosity and chrome plating.
- Operating defects caused by incorrect fabrication.

The warranty provides for repair or replacement of products with fabrication defects recognized by our technical office. There is no other type of compensation anche the merchandise must be returned FOB our warehouse. The warranty only cover surface defects (scatches, dings, etc.) on fitting that have not been installed and used, returned in its original packaging with all components. O-ring, gasket seals and components subject to wear proportional to use are warranted for 2 years.

**The warranty is void in the following cases:**

Error installing and putting the product into service.

Deterioration of finisched surfaces due to use of cleaning products containing acids or abrasive substances. Deterioration of surface with finishes other than chrome plating. Their durability is, in fact, dependent on the user's care and gentleness of use.

Deterioration of the fitting due incorrect installation.

Improper repairs and maintenance performed without the company's prior authorization.

The warranty from IB Rubinetterie SpA is not renewable.

**Cleaning**

We recommended cleaning the finish surfaces with water and soap, using a soft cloth.

Do not use detergents that cointain hydrochloric acid or abrasive substances.

