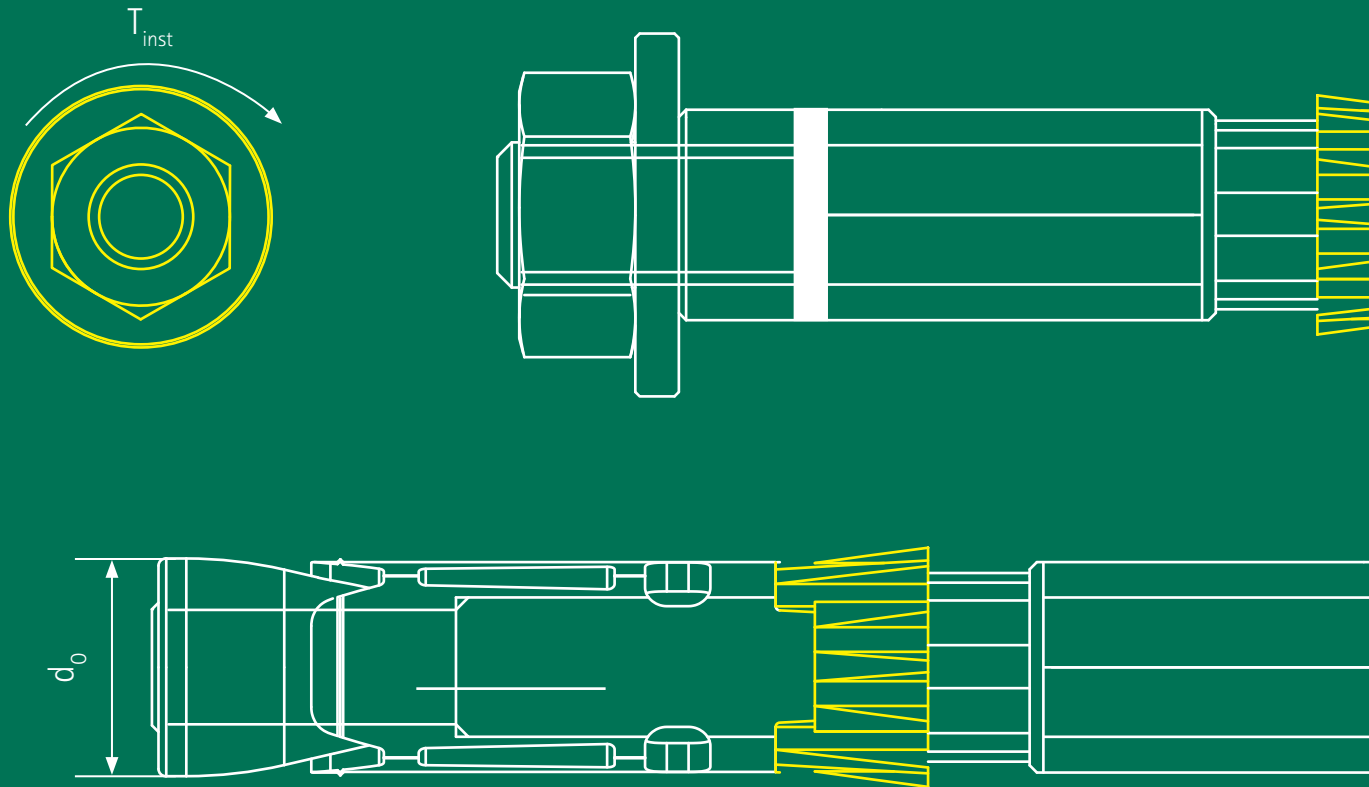


## Approval



# WHA1 Highload Anchor

ETA-16/0562

Approval body for construction products  
and types of construction

Bautechnisches Prüfamt

An institution established by the Federal and  
Laender Governments



## European Technical Assessment

**ETA-16/0562**  
**of 15 July 2016**

English translation prepared by DIBt - Original version in German language

### General Part

Technical Assessment Body issuing the  
European Technical Assessment:

Deutsches Institut für Bautechnik

Trade name of the construction product

Walraven Highload Anchor WHA1

Product family  
to which the construction product belongs

Torque controlled expansion anchor for use  
in concrete

Manufacturer

J. van Walraven Holding B.V.  
Industrieweg 5  
3641 RK Mijdrecht  
NIEDERLANDE

Manufacturing plant

Walraven factory A5

This European Technical Assessment  
contains

20 pages including 3 annexes which form an integral part  
of this assessment

This European Technical Assessment is  
issued in accordance with Regulation (EU)  
No 305/2011, on the basis of

Guideline for European technical approval of "Metal  
anchors for use in concrete", ETAG 001 Part 2: "Torque  
controlled expansion anchors", April 2013,  
used as European Assessment Document (EAD)  
according to Article 66 Paragraph 3 of Regulation (EU)  
No 305/2011.

The European Technical Assessment is issued by the Technical Assessment Body in its official language. Translations of this European Technical Assessment in other languages shall fully correspond to the original issued document and shall be identified as such.

Communication of this European Technical Assessment, including transmission by electronic means, shall be in full. However, partial reproduction may only be made with the written consent of the issuing Technical Assessment Body. Any partial reproduction shall be identified as such.

This European Technical Assessment may be withdrawn by the issuing Technical Assessment Body, in particular pursuant to information by the Commission in accordance with Article 25(3) of Regulation (EU) No 305/2011.

**Specific Part**

**1 Technical description of the product**

The Walraven Highload Anchor WHA1 is an anchor made of galvanised steel or made of stainless steel which is placed into a drilled hole and anchored by torque-controlled expansion. The following anchor types are covered:

- Anchor type WHA1T with threaded bolt,
- Anchor type WHA1H with hexagon head screw,
- Anchor type WHA1C with countersunk washer and countersunk screw.

The product description is given in Annex A.

**2 Specification of the intended use in accordance with the applicable European Assessment Document**

The performances given in Section 3 are only valid if the anchor is used in compliance with the specifications and conditions given in Annex B.

The verifications and assessment methods on which this European Technical Assessment is based lead to the assumption of a working life of the anchor of at least 50 years. The indications given on the working life cannot be interpreted as a guarantee given by the producer, but are to be regarded only as a means for choosing the right products in relation to the expected economically reasonable working life of the works.

**3 Performance of the product and references to the methods used for its assessment**

**3.1 Mechanical resistance and stability (BWR 1)**

Essential characteristic	Performance
Characteristic resistance for static and quasi-static loading	See Annex C1 to C5
Characteristic resistance for seismic performance category C1 and C2	See Annex C6 to C7
Displacements under tension and shear loads	See Annex C9 and C10

**3.2 Safety in case of fire (BWR 2)**

Essential characteristic	Performance
Reaction to fire	Anchorage satisfy requirements for Class A1
Resistance to fire	See Annex C8

**3.3 Safety in use (BWR 4)**

The essential characteristics regarding Safety in use are included under the Basic Works Requirement Mechanical resistance and stability.

**4 Assessment and verification of constancy of performance (AVCP) system applied, with reference to its legal base**

In accordance with guideline for European technical approval ETAG 001, April 2013 used as European Assessment Document (EAD) according to Article 66 Paragraph 3 of Regulation (EU) No 305/2011 the applicable European legal act is: [96/582/EC].

The system to be applied is: 1

**5 Technical details necessary for the implementation of the AVCP system, as provided for in the applicable EAD**

Technical details necessary for the implementation of the AVCP system are laid down in the control plan deposited with Deutsches Institut für Bautechnik.

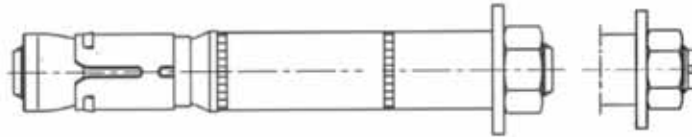
Issued in Berlin on 15 July 2016 by Deutsches Institut für Bautechnik

Andreas Kummerow  
p.p. Head of Department

*beglaubigt:*  
Lange

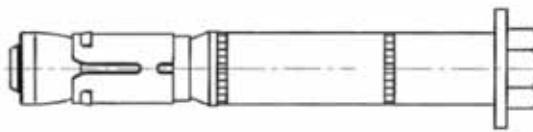
## Highload Anchor WHA1

### Anchor type WHA1T with threaded bolt



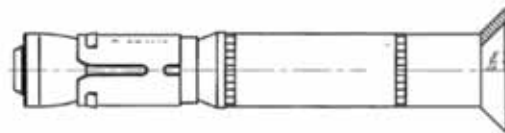
WHA1T (M6-M20)  
WHA1T (M8-M16) A4

### Anchor type WHA1H with hexagon head screw



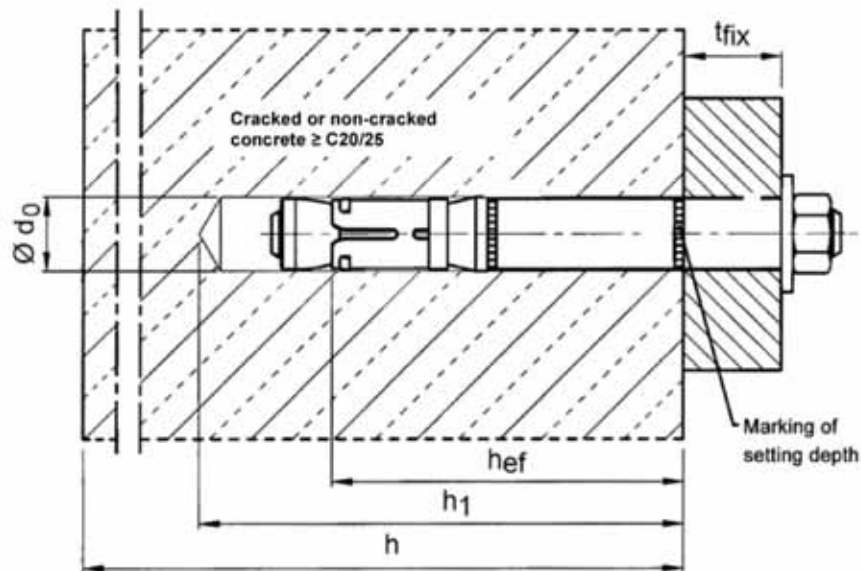
WHA1H (M6-M20)  
WHA1H (M8-M16) A4

### Anchor type WHA1C with countersunk washer and countersunk screw



WHA1C (M6-M12)  
WHA1C (M8-M12) A4

## Installation condition



## Walraven Highload Anchor WHA1

Product description  
Product and installation situation

Annex A1

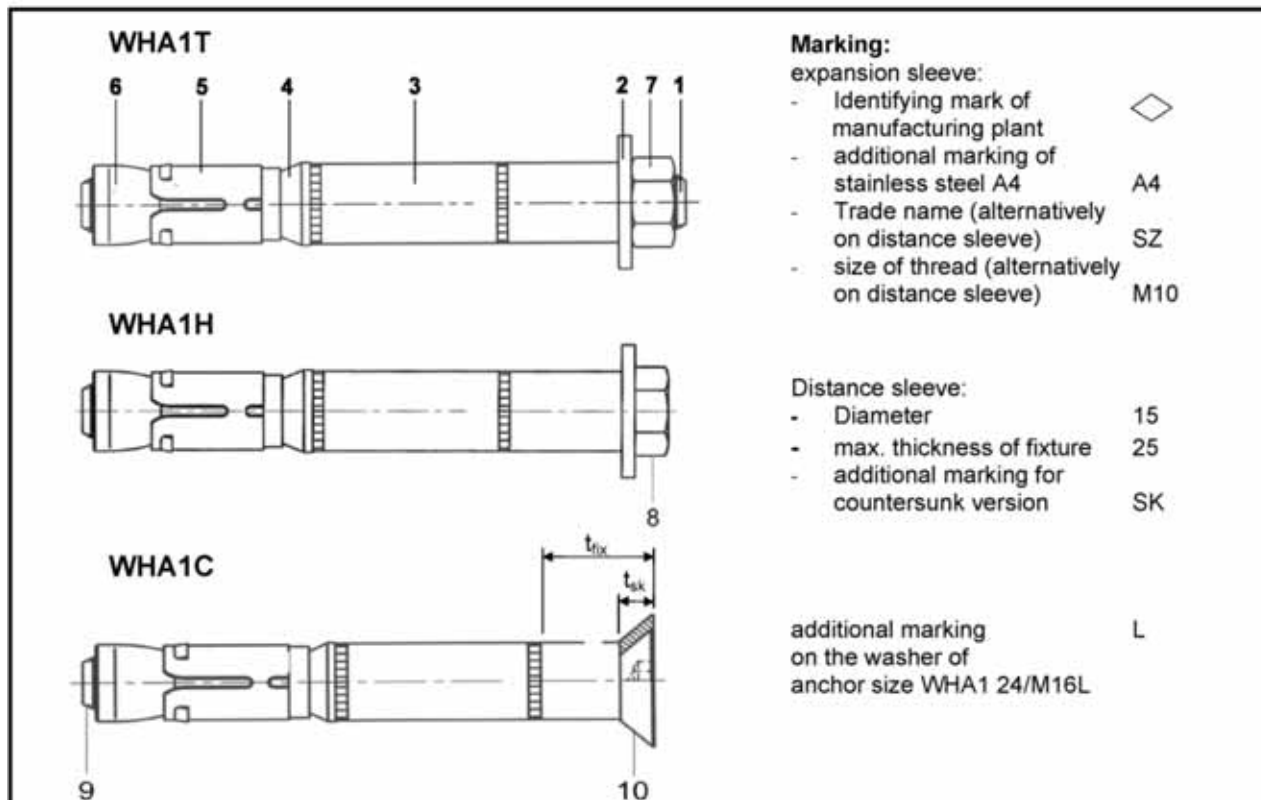


Table A1: Designation of anchor parts and materials

Part	Designation	Materials galvanised $\geq 5 \mu\text{m}$ , acc. to EN ISO 4042:1999	Stainless steel A4
1	Threaded bolt	Steel, Strength class 8.8, EN ISO 898-1:2013	Stainless steel, 1.4401, 1.4404 or 1.4571, EN 10088:2005
2	Washer	Steel, EN 10139:1997	Stainless steel, 1.4401, 1.4404 or 1.4571, EN 10088:2005
3	Distance sleeve	Precision steel tubes DIN 2394/2393	Stainless steel, 1.4401, 1.4404 or 1.4571, EN 10088:2005
4	Ring	Polyethylene	Polyethylene
5	Expansion sleeve	Steel, EN 10139:1997	Stainless steel, 1.4401, 1.4404 or 1.4571, EN 10088:2005
6	Threaded cone	Steel, Strength class 8, EN ISO 898-2:2012	Stainless steel, 1.4401, 1.4404 or 1.4571, EN 10088:2005
7	Hexagon nut	Steel, Strength class 8, EN ISO 898-2:2012	ISO 3506, strength class 70, stainless steel 1.4401 or 1.4571, EN 10088:2005
8	Hexagon head screw	Steel, Strength class 8.8, EN ISO 898-1:2013	Stainless steel, 1.4401, 1.4404 or 1.4571, EN 10088:2005
9	Countersunk screw	Steel, Strength class 8.8, EN ISO 898-1:2013	Stainless steel, 1.4401, 1.4404 or 1.4571, EN 10088:2005
10	Countersunk washer	Steel, EN 10083-2:2006	Stainless steel, 1.4401, 1.4404 or 1.4571, EN 10088:2005

**Walraven Highload Anchor WHA1**

Product description  
Marking and materials

Annex A2



### Specifications of intended use

Highload Anchor WHA1, steel zinc plated	10/M6	12/M8	15/M10	18/M12	24/M16	24/M16L	28/M20
Static or quasi-static action	✓						
Seismic action (WHA1T and WHA1H)	-	C1 + C2					
Fire exposure	R 30 ... R 120						
Highload Anchor WHA1, stainless steel A4	12/M8	15/M10	18/M12	24/M16			
Static or quasi-static action	✓						
Seismic action (WHA1T and WHA1H)	C1 + C2						
Fire exposure	R30 ... R120						

**Base materials:**

- Cracked and non-cracked concrete
- Reinforced or unreinforced normal weight concrete according to EN 206-1:2000
- Strength classes C20/25 to C50/60 according to EN 206-1:2000

**Use conditions (Environmental conditions):**

- Structures subject to dry internal conditions (zinc plated steel or stainless steel).
- Structures subject to external atmospheric exposure (including industrial and marine environment) and to permanently damp internal condition, if no particular aggressive conditions exist (stainless steel).

Note: Particular aggressive conditions are e.g. permanent, alternating immersion in seawater or the splash zone of seawater, chloride atmosphere of indoor pools or atmosphere with extreme chemical pollution (e.g. in desulphurization plants or road tunnels where de-icing materials are used.)

**Design:**

- Anchorages are designed under the responsibility of an engineer experienced in anchorages and concrete work.
- Verifiable calculation notes and drawings are prepared taking account of the loads to be anchored. The position of the anchor is indicated on the design drawings (e.g. position of the anchor relative to reinforcement or to supports, etc.).
- Anchorages under static or quasi-static actions are designed in accordance with:
  - ETAG 001, Annex C, design method A, Edition August 2010 or
  - CEN/TS 1992-4:2009, design method A
- Anchorages under seismic actions (cracked concrete) are designed in accordance with:
  - EOTA Technical Report TR 045, Edition February 2013
  - Anchorages shall be positioned outside of critical regions (e.g. plastic hinges) of the concrete structure
  - Fastenings in stand-off installation or with a grout layer are not allowed
- Anchorages under fire exposure are designed in accordance with:
  - EOTA Technical Report TR 020, Edition May 2004 or
  - CEN/TS 1992-4: 2009, Annex D

(It must be ensured that local spalling of the concrete cover does not occur)

**Installation:**

- Anchor installation carried out by appropriately qualified personnel and under the supervision of the person responsible for technical matters of the site.
- In case of aborted hole: new drilling at a minimum distance away of twice the depth of the aborted hole or smaller distance if the aborted drill hole is filled with high strength mortar and if under shear or oblique tension load it is not in the direction of load application.
- Anchor installation such that the effective anchorage depth is complied with. This compliance is ensured when the embedment mark of the anchor does no more exceed the concrete surface.

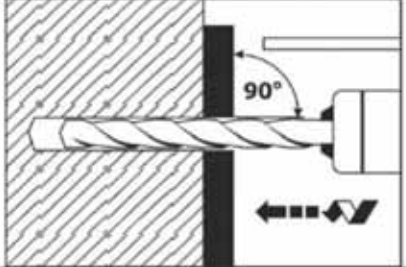
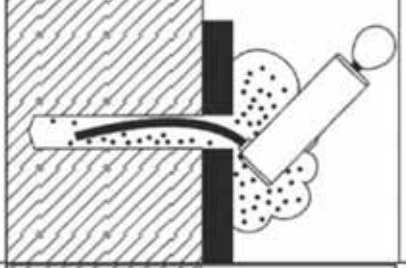
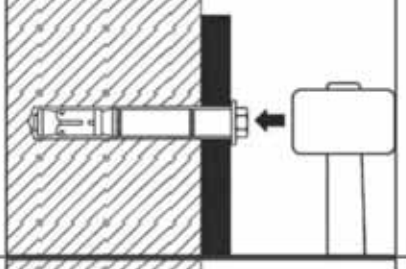
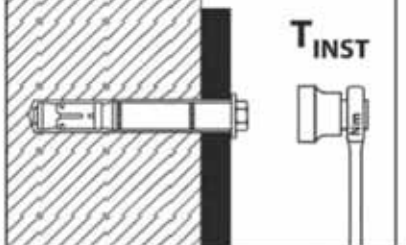
**Walraven Highload Anchor WHA1**

Intended use  
Specifications

Annex B1



### Installation instructions

1		Drill hole perpendicular to concrete surface.
2		Blow out dust.
3		Drive in anchor.
4		Apply tightening torque $T_{inst}$ by using calibrated torque wrench.

#### Walraven Highload Anchor WHA1

Intended use  
Installation instructions

Annex B2

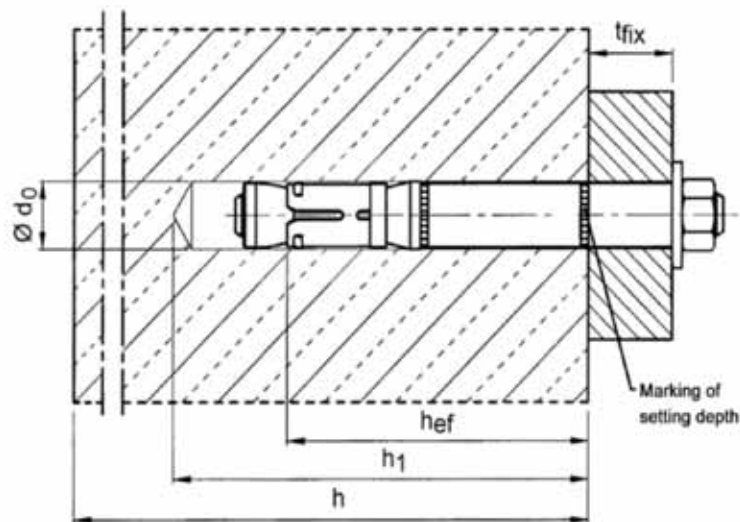
**Table B1: Installation parameters, steel zinc plated**

Anchor size		10/M6	12/M8	15/M10	18/M12	24/M16	24/M16L	28/M20
Size of thread	[-]	M6	M8	M10	M12	M16	M16	M20
Effective anchorage depth	$h_{ef}$ [mm]	50	60	71	80	100	115	125
Nominal diameter of drill bit	$d_0 =$ [mm]	10	12	15	18	24	24	28
Cutting diameter of drill bit	$d_{cut} \leq$ [mm]	10,45	12,5	15,5	18,5	24,55	24,55	28,55
Depth of drill hole	$h_1 \geq$ [mm]	65	80	95	105	130	145	160
Diameter of clearance hole in the fixture	$d_f \leq$ [mm]	12	14	17	20	26	26	31
Thickness of fixture WHA1T and WHA1H	$t_{fix \min}$ [mm]	0	0	0	0	0	0	0
	$t_{fix \max}$ [mm]	200	200	200	250	300	300	300
Thickness of fixture WHA1C	$t_{fix \min}^{2)}$ [mm]	8	10	14	18	-	-	-
	$t_{fix \max}$ [mm]	200	200	200	250	-	-	-
Thickness of countersunk washer WHA1C	$t_{sk}$ [mm]	4	5	6	7	-	-	-
Required setting torque	$T_{inst}$ (WHA1T, WHA1H) [Nm]	15	30	50	80	160	160	280
	$T_{inst}$ (WHA1C) [Nm]	10	25	55	70	-	-	-
Minimum thickness of member	$h_{min}$ [mm]	100	120	140	160	200	230	250
Minimum spacing <sup>1) 3)</sup>	$s_{min}$ [mm]	50	60	70	80	100	100	125
	for $c \geq$ [mm]	80	100	120	160	180	180	300
Minimum edge distance <sup>1) 3)</sup>	$c_{min}$ [mm]	50	60	70	80	100	100	180
	for $s \geq$ [mm]	100	120	175	200	220	220	540

<sup>1)</sup> Intermediate values by linear interpolation

<sup>2)</sup> Depending on the existing shear load, the thickness of the fixture may be reduced to the thickness of the countersunk washer  $t_{sk}$  (see Annex A2). It must be verified that the present shear load can be transferred completely into the distance sleeve (bearing of hole).

<sup>3)</sup> For fire exposure from more than one side  $c \geq 300$  mm or  $c_{min} \geq 300$  mm applies.



**Walraven Highload Anchor WHA1**

**Intended use**  
Installation parameters, steel zinc plated

**Annex B3**

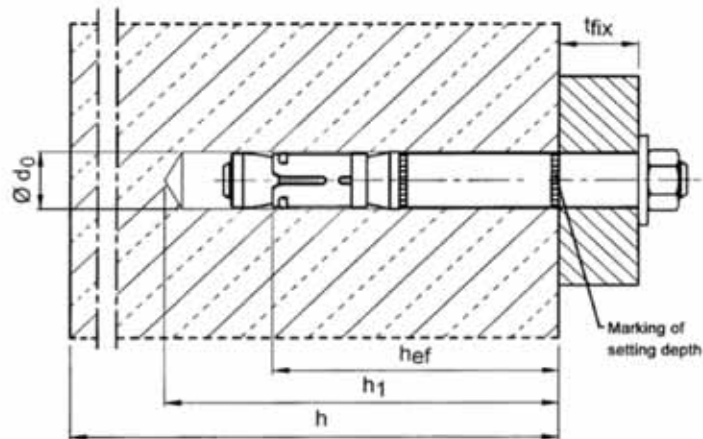
**Table B2: Installation parameters, stainless steel A4**

Anchor size		12/M8	15/M10	18/M12	24/M16
Size of thread	[-]	M8	M10	M12	M16
Effective anchorage depth	$h_{ef}$ [mm]	60	71	80	100
Nominal diameter of drill bit	$d_0 =$ [mm]	12	15	18	24
Cutting diameter of drill bit	$d_{cut} \leq$ [mm]	12,5	15,5	18,5	24,55
Depth of drill hole	$h_1 \geq$ [mm]	80	95	105	130
Diameter of clearance hole in the fixture	$d_f \leq$ [mm]	14	17	20	26
Thickness of fixture WHA1T and WHA1H	$t_{fix\ min}$ [mm]	0	0	0	0
	$t_{fix\ max}$ [mm]	200	200	250	300
Thickness of fixture WHA1C	$t_{fix\ min}^{2)}$ [mm]	10	14	18	-
	$t_{fix\ max}$ [mm]	200	200	250	-
Thickness of countersunk washer WHA1C	$t_{sk}$ [mm]	5	6	7	-
Required setting torque	$T_{inst}$ (WHA1T) [Nm]	35	55	90	170
	$T_{inst}$ (WHA1H) [Nm]	30	50	80	170
	$T_{inst}$ (WHA1C) [Nm]	17,5	42,5	50	-
Minimum thickness of member	$h_{min}$ [mm]	120	140	160	200
Minimum spacing <sup>1)3)</sup> cracked concrete	$s_{min}$ [mm]	50	60	70	80
	for $c \geq$ [mm]	80	120	140	180
Minimum edge distance <sup>1)3)</sup> cracked concrete	$c_{min}$ [mm]	50	60	70	80
	for $s \geq$ [mm]	80	120	160	200
Minimum spacing <sup>1)3)</sup> non-cracked concrete	$s_{min}$ [mm]	50	60	70	80
	for $c \geq$ [mm]	80	120	140	180
Minimum edge distance <sup>1)3)</sup> non-cracked concrete	$c_{min}$ [mm]	50	85	70	180
	for $s \geq$ [mm]	80	185	160	80

<sup>1)</sup> Intermediate values by linear interpolation

<sup>2)</sup> Depending on the existing shear load, the thickness of the fixture may be reduced to the thickness of the countersunk washer  $t_{sk}$  (see Annex A2). It must be verified that the present shear load can be transferred completely into the distance sleeve (bearing of hole).

<sup>3)</sup> For fire exposure from more than one side  $c \geq 300$  mm or  $c_{min} \geq 300$  mm applies.



**Walraven Highload Anchor WHA1**

**Intended use**  
Installation parameters, stainless steel A4

**Annex B4**

**Table C1: Characteristic values for tension load, cracked concrete under static or quasi-static action, steel zinc plated**

Anchor size		10/M6	12/M8	15/M10	18/M12	24/M16	24/M16L	28/M20
Installation safety factor	$\gamma_2 = \gamma_{inst}$ [-]	1,0						
<b>Steel failure</b>								
Characteristic resistance	$N_{Rk,s}$ [kN]	16	29	46	67	126	126	196
Partial safety factor	$\gamma_{Ms}$ [-]	1,5						
<b>Pull-out failure</b>								
Characteristic resistance in cracked concrete C20/25	$N_{Rk,p}$ [kN]	5	12	16	1) <sup>1)</sup>	1) <sup>1)</sup>	1) <sup>1)</sup>	1) <sup>1)</sup>
Increasing factor for $N_{Rk,p}$	$\psi_C$ [-]	$\left(\frac{f_{ck,cube}}{25}\right)^{0,5}$						
<b>Concrete cone failure</b>								
Effective anchorage depth	$h_{ef}$ [mm]	50	60	71	80	100	115	125
Factor acc. to CEN/TS 1992-4	$k_{cr}$ [-]	7,2						

<sup>1)</sup> Pull-out is not decisive.

**Table C2: Characteristic values for tension load, cracked concrete under static or quasi-static action, stainless steel A4**

Anchor size		12/M8	15/M10	18/M12	24/M16
Installation safety factor	$\gamma_2 = \gamma_{inst}$ [-]	1,0			
<b>Steel failure</b>					
<b>WHA1T</b>					
Characteristic resistance	$N_{Rk,s}$ [kN]	26	41	60	110
Partial safety factor	$\gamma_{Ms}$ [-]	1,5			
<b>WHA1H and WHA1C</b>					
Characteristic resistance	$N_{Rk,s}$ [kN]	26	41	60	110
Partial safety factor	$\gamma_{Ms}$ [-]	1,87			
<b>Pull-out failure</b>					
Characteristic resistance in cracked concrete C20/25	$N_{Rk,p}$ [kN]	9	16	1) <sup>1)</sup>	1) <sup>1)</sup>
Increasing factor for $N_{Rk,p}$	$\psi_C$ [-]	$\left(\frac{f_{ck,cube}}{25}\right)^{0,5}$			
<b>Concrete cone failure</b>					
Effective anchorage depth	$h_{ef}$ [mm]	60	71	80	100
Factor acc. to CEN/TS 1992-4	$k_{cr}$ [-]	7,2			

<sup>1)</sup> Pull-out is not decisive.

**Walraven Highload Anchor WHA1**

**Performance**

Characteristic values for **tension load** in cracked concrete under static or quasi-static action

**Annex C1**



**Table C3: Characteristic values for tension load in non-cracked concrete, under static or quasi-static action, steel zinc plated**

Anchor size			10/M6	12/M8	15/M10	18/M12	24/M16	24/M16L	28/M20
Installation safety factor	$\gamma_2 = \gamma_{inst}$	[-]	1,0						
<b>Steel failure</b>									
Characteristic resistance	$N_{Rk,s}$	[kN]	16	29	46	67	126	126	196
Partial safety factor	$\gamma_{Ms}$	[-]	1,5						
<b>Pull-out failure</b>									
Characteristic resistance in non-cracked concrete C20/25	$N_{Rk,p}$	[kN]	<sup>1)</sup>	20	30	<sup>1)</sup>	<sup>1)</sup>	<sup>1)</sup>	<sup>1)</sup>
<b>Splitting failure</b> (The higher resistance of Case 1 and Case 2 may be applied.)									
<b>Case 1</b>									
Characteristic resistance in concrete C20/25	$N^0_{Rk,sp}$	[kN]	12 <sup>2)</sup>	16 <sup>2)</sup>	25 <sup>2)</sup>	30 <sup>2)</sup>	40 <sup>2)</sup>	70	50 <sup>2)</sup>
Spacing	$s_{cr,sp}$	[mm]	3 $h_{ef}$						
Edge distance	$c_{cr,sp}$	[mm]	1,5 $h_{ef}$						
<b>Case 2</b> (acc. to ETAG 001, Annex C, equation (5.3))									
Spacing	$s_{cr,sp}$	[mm]	5 $h_{ef}$					3 $h_{ef}$	5 $h_{ef}$
Edge distance	$c_{cr,sp}$	[mm]	2,5 $h_{ef}$					1,5 $h_{ef}$	2,5 $h_{ef}$
Increasing factor for $N_{Rk,p}$ and $N^0_{Rk,sp}$	$\psi_c$	[-]	$\left(\frac{f_{dc,cube}}{25}\right)^{0,5}$						
<b>Concrete cone failure</b>									
Effective Anchorage depth	$h_{ef}$	[mm]	50	60	71	80	100	115	125
Factor acc. to CEN/TS 1992-4	$k_{ucr}$	[-]	10,1						

<sup>1)</sup> Pull-out is not decisive.

<sup>2)</sup> For the proof against splitting failure,  $N^0_{Rk,s}$  has to be replaced by  $N^0_{Rk,sp}$ .

**Walraven Highload Anchor WHA1**

**Performance**

Characteristic values for **tension load in non-cracked concrete**, under static or quasi-static action, **steel zinc plated**

**Annex C2**

**Table C4: Characteristic values for tension load in non-cracked concrete under static or quasi-static action, stainless steel A4**

Anchor size			12/M8	15/M10	18/M12	24/M16
Installation safety factor	$\gamma_2 = \gamma_{inst}$	[-]	1,0			
<b>Steel failure</b>						
<b>WHA1T</b>						
Characteristic resistance	$N_{Rk,s}$	[kN]	26	41	60	110
Partial safety factor	$\gamma_{Ms}$	[-]	1,5			
<b>WHA1H and WHA1C</b>						
Characteristic resistance	$N_{Rk,s}$	[kN]	26	41	60	110
Partial safety factor	$\gamma_{Ms}$	[-]	1,87			
<b>Pull-out failure</b>						
Characteristic resistance in non-cracked concrete C20/25	$N_{Rk,p}$	[kN]	16	25	35	<sup>1)</sup>
Increasing factor for $N_{Rk,p}$	$\psi/c$	[-]	$\left(\frac{f_{dk,cube}}{25}\right)^{0,5}$			
<b>Splitting failure</b>						
Spacing	$s_{cr,sp}$	[mm]	360	470	530	600
Edge distance	$c_{cr,sp}$	[mm]	180	235	265	300
<b>Concrete cone failure</b>						
Effective anchorage depth	$h_{ef}$	[mm]	60	71	80	100
Factor acc. to CEN/TS 1992-4	$k_{ucr}$	[-]	10,1			

<sup>1)</sup> Pull-out is not decisive.

**Walraven Highload Anchor WHA1**

**Performance**

Characteristic values for **tension loads** in non-cracked concrete under static or quasi-static action, **stainless steel A4**

**Annex C3**



**Table C5: Characteristic values of shear load under static or quasi-static action, steel zinc plated**

Anchor size			10/M6	12/M8	15/M10	18/M12	24/M16	24/M16L	28/M20
<b>Steel failure without lever arm</b>									
<b>WHA1T</b>									
Characteristic resistance	$V_{Rk,S}$	[kN]	16	25	36	63	91	91	122
Ductility factor	$k_2$	[-]	1,0						
Partial safety factor	$\gamma_{Ms}$	[-]	1,25						
<b>WHA1H and WHA1C</b>									
Characteristic resistance	$V_{Rk,S}$	[kN]	18	30	48	73	126	126	150
Ductility factor	$k_2$	[-]	0,8						
Partial safety factor	$\gamma_{Ms}$	[-]	1,25						
<b>Steel failure with lever arm</b>									
Characteristic resistance	$M^0_{Rk,S}$	[Nm]	12	30	60	105	266	266	519
Partial safety factor	$\gamma_{Ms}$	[-]	1,25						
<b>Concrete pry-out failure</b>									
Factor k acc. to ETAG 001, Annex C or $k_3$ acc. to CEN/TS 1992-4	$k_{(3)}$	[-]	1,8	2,0					
<b>Concrete edge failure</b>									
Effective length of anchor in shear loading	$l_f$	[mm]	50	60	71	80	100	115	125
Outside diameter of anchor	$d_{nom}$	[mm]	10	12	15	18	24	24	28

**Walraven Highload Anchor WHA1**

**Performance**  
Characteristic values for **shear load** under static or quasi-static action, **steel zinc plated**

**Annex C4**

**Table C6: Characteristic values for shear load under static or quasi-static action, stainless steel A4**

Anchor size		12/M8	15/M10	18/M12	24/M16
<b>Steel failure without lever arm</b>					
<b>WHA1T</b>					
Characteristic resistance	$V_{Rk,s}$ [kN]	24	37	62	92
Ductility factor	$k_2$ [-]	1,0			
Partial safety factor	$\gamma_{Ms}$ [-]	1,25			
<b>WHA1H and WHA1C</b>					
Characteristic resistance	$V_{Rk,s}$ [kN]	24	37	62	92
Ductility factor	$k_2$ [-]	0,8			
Partial safety factor	$\gamma_{Ms}$ [-]	1,36			
<b>Steel failure with lever arm</b>					
<b>WHA1T</b>					
Characteristic resistance	$M_{Rk,s}^0$ [Nm]	26	52	92	232
Ductility factor	$k_2$ [-]	1,0			
Partial safety factor	$\gamma_{Ms}$ [-]	1,25			
<b>WHA1H and WHA1C</b>					
Characteristic resistance	$M_{Rk,s}^0$ [Nm]	26	52	92	232
Ductility factor	$k_2$ [-]	0,8			
Partial safety factor	$\gamma_{Ms}$ [-]	1,56			
<b>Concrete pry-out failure</b>					
Factor k acc. to ETAG 001, Annex C or $k_3$ acc. to CEN/TS 1992-4	$k_{(3)}$ [-]	2,0			
<b>Concrete edge failure</b>					
Effective length of anchor in shear loading	$l_f$ [mm]	60	71	80	100
Outside diameter of anchor	$d_{nom}$ [mm]	12	15	18	24

**Walraven Highload Anchor WHA1**

**Performance**  
Characteristic values for shear load under static or quasi-static action, stainless steel A4

**Annex C5**

**Table C7: Characteristic values for seismic action, Category C1 and C2, steel zinc plated**

Anchor size		12/M8	15/M10	18/M12	24/M16	24/M16L	28/M20	
<b>Tension load</b>								
Installation safety factor	$\gamma_2 = \gamma_{inst}$	[-]	1,0					
<b>Steel failure</b>								
Characteristic tension resistance category C1	$N_{Rk,s,seis,C1}$	[kN]	29	46	67	126	126	196
Characteristic tension resistance category C2	$N_{Rk,s,seis,C2}$	[kN]	29	46	67	126	126	196
Partial safety factor	$\gamma_{Ms,seis}$	[-]	1,5					
<b>Pull-out failure</b>								
Characteristic tension resistance category C1	$N_{Rk,p,seis,C1}$	[kN]	12	16	25	36	44,4	50,3
Characteristic tension resistance category C2	$N_{Rk,p,seis,C2}$	[kN]	5,4	16,4	22,6	29,0	41,2	43,6
Increasing factor for $N_{Rk,p,seis}$	$\psi_c$	[-]	1,0					
<b>Shear load</b>								
<b>Steel failure without lever arm</b>								
<b>WHA1T</b>								
Characteristic shear resistance category C1	$V_{Rk,s,seis,C1}$	[kN]	18,0	27,1	43,4	51,9	51,9	96,4
Characteristic shear resistance category C2	$V_{Rk,s,seis,C2}$	[kN]	12,7	20,5	31,5	50,1	50,1	67,1
<b>WHA1H</b>								
Characteristic shear resistance category C1	$V_{Rk,s,seis,C1}$	[kN]	18,0	27,1	43,4	51,9	51,9	96,4
Characteristic shear resistance category C2	$V_{Rk,s,seis,C2}$	[kN]	12,7	20,5	31,5	69,3	69,3	67,1
Partial safety factor	$\gamma_{Ms,seis}$	[-]	1,25					
<b>Steel failure with lever arm</b>								
Characteristic resistance	$M^0_{Rk,s,seis}$	[Nm]	no performance determined					

**Walraven Highload Anchor WHA1**

**Performance**  
Characteristic values for seismic action, steel zinc plated

**Annex C6**

**Table C8: Characteristic values for seismic action, Category C1 and C2, stainless steel A4**

Anchor size		12/M8	15/M10	18/M12	24/M16	
<b>Tension load</b>						
Installation safety factor	$\gamma_2 = \gamma_{inst}$	[-]	1,0			
<b>Steel failure</b>						
Characteristic tension resistance, category C1	$N_{Rk,s,seis,C1}$	[kN]	26	41	60	110
Characteristic tension resistance, category C2	$N_{Rk,s,seis,C2}$	[kN]	26	41	60	110
Partial safety factor WHA1T	$\gamma_{Ms,seis}$	[-]	1,5			
Partial safety factor WHA1H	$\gamma_{Ms,seis}$	[-]	1,87			
<b>Pull-out failure</b>						
Characteristic tension resistance, category C1	$N_{Rk,p,seis,C1}$	[kN]	9	16	26	36
Characteristic tension resistance, category C2	$N_{Rk,p,seis,C2}$	[kN]	4,8	16,5	24,8	44,5
Increasing factor for $N_{Rk,p,seis}$	$\psi_c$	[-]	1,0			
<b>Shear load</b>						
<b>Steel failure without lever arm</b>						
Characteristic shear resistance, category C1	$V_{Rk,s,seis,C1}$	[kN]	9,6	13,3	25,4	75,4
Characteristic shear resistance, category C2	$V_{Rk,s,seis,C2}$	[kN]	9,7	14,0	18,0	32,2
Partial safety factor WHA1T	$\gamma_{Ms,seis}$	[-]	1,25			
Partial safety factor WHA1H	$\gamma_{Ms,seis}$	[-]	1,36			
<b>Steel failure with lever arm</b>						
Characteristic resistance	$M^0_{Rk,s,seis}$	[Nm]	no performance determined			

**Walraven Highload Anchor WHA1**

**Performance**  
Characteristic values for seismic action, stainless steel A4

**Annex C7**

**Table C9: Characteristic values for tension and shear load under fire exposure in cracked and non-cracked concrete C20/25 to C50/60**

Anchor size		10/M6	12/M8	15/M10	18/M12	24/M16	24/M16L	28/M20	
<b>Tension load</b>									
<b>Steel failure</b>									
<b>Steel zinc plated</b>									
Characteristic resistance	R30	$N_{Rk,s,f}$	[kN]	1,0	1,9	4,3	6,3	11,6	18,3
	R60			0,8	1,5	3,2	4,6	8,6	13,5
	R90			0,6	1,0	2,1	3,0	5,0	7,7
	R120			0,4	0,8	1,5	2,0	3,1	4,9
<b>Stainless steel A4</b>									
Characteristic resistance	R30	$N_{Rk,s,f}$	[kN]	-	6,1	10,2	15,7	29,2	-
	R60			-	4,4	7,3	11,1	20,6	-
	R90			-	2,6	4,3	6,4	12,0	-
	R120			-	1,8	2,8	4,1	7,7	-
<b>Shear load</b>									
<b>Steel failure without lever arm</b>									
<b>Steel zinc plated</b>									
Characteristic resistance	R30	$V_{Rk,s,f}$	[kN]	1,0	1,9	4,3	6,3	11,6	18,3
	R60			0,8	1,5	3,2	4,6	8,6	13,5
	R90			0,6	1,0	2,1	3,0	5,0	7,7
	R120			0,4	0,8	1,5	2,0	3,1	4,9
<b>Stainless steel A4</b>									
Characteristic resistance	R30	$V_{Rk,s,f}$	[kN]	-	14,3	22,7	32,8	61,0	-
	R60			-	11,1	17,6	25,5	47,5	-
	R90			-	7,9	12,6	18,3	34,0	-
	R120			-	6,3	10,0	14,6	27,2	-
<b>Steel failure with lever arm</b>									
<b>Steel zinc plated</b>									
Characteristic resistance	R30	$M^o_{Rk,s,f}$	[Nm]	0,8	2,0	5,6	9,7	24,8	42,4
	R60			0,6	1,5	4,1	7,2	18,3	29,8
	R90			0,4	1,0	2,7	4,7	11,9	17,1
	R120			0,3	0,8	1,9	3,1	6,6	10,7
<b>Stainless steel A4</b>									
Characteristic resistance	R30	$M^o_{Rk,s,f}$	[Nm]	-	6,2	13,2	24,4	61,8	-
	R60			-	4,5	9,4	17,2	43,6	-
	R90			-	2,7	5,6	10,0	25,3	-
	R120			-	1,8	3,6	6,4	16,2	-

The characteristic resistances for pull-out failure, concrete cone failure, concrete pry-out and concrete edge failure can be calculated according to TR020 / CEN/TS 1992-4.

**Walraven Highload Anchor WHA1**

**Performance**  
Characteristic values for tension and shear loads under fire exposure

**Annex C8**



**Table C10: Displacements under tension load**

Anchor size			10/M6	12/M8	15/M10	18/M12	24/M16	24/M16L	28/M20
<b>Steel, zinc plated</b>									
Tension load in cracked concrete	N	[kN]	2,4	5,7	7,6	12,3	17,1	21,1	24
Displacement	$\delta_{N0}$	[mm]	0,5	0,5	0,5	0,7	0,8	0,7	0,9
	$\delta_{Ncr}$	[mm]	2,0	2,0	1,3	1,3	1,3	1,3	1,4
Tension load in non-cracked concrete	N	[kN]	8,5	9,5	14,3	17,2	24	29,6	34
Displacement	$\delta_{N0}$	[mm]	0,8	1,0	1,1		1,3		0,3
	$\delta_{Ncr}$	[mm]	3,4		1,7		2,3		1,4
Seismic action C2									
Displacement for DLS	$\delta_{N,seis,C2(DLS)}$	[mm]	-	3,3	3,0	5,0	3,0	3,0	4,0
Displacement for ULS	$\delta_{N,seis,C2(ULS)}$	[mm]	-	12,2	11,3	16,0	9,2	9,2	13,8
<b>Stainless steel A4</b>									
Tension load in cracked concrete	N	[kN]	-	4,3	7,6	12,1	17,0	-	-
Displacement	$\delta_{N0}$	[mm]	-	0,5	0,5	1,3	0,5	-	-
	$\delta_{Ncr}$	[mm]	-	1,2	1,6	1,8	1,6	-	-
Tension load in non-cracked concrete	N	[kN]	-	7,6	11,9	16,7	24,1	-	-
Displacement	$\delta_{N0}$	[mm]	-	0,2	0,3	1,2	1,5	-	-
	$\delta_{Ncr}$	[mm]	-	1,1			-	-	-
Seismic action C2									
Displacement for DLS	$\delta_{N,seis,C2(DLS)}$	[mm]	-	4,7	4,5	4,3	4,9	-	-
Displacement for ULS	$\delta_{N,seis,C2(ULS)}$	[mm]	-	13,3	12,7	9,7	10,1	-	-

**Walraven Highload Anchor WHA1**

**Performance**  
Displacements under tension load

**Annex C9**



**Table C11: Displacements under shear load**

Anchor size			10/M6	12/M8	15/M10	18/M12	24/M16	24/M16L	28/M20
<b>Steel, zinc plated</b>									
<b>WHA1T</b>									
Shear load in cracked and non-cracked concrete	V	[kN]	9,1	14	20,7	35,1	52,1	52,1	77
Displacement	$\delta_{V0}$	[mm]	2,5	2,1	2,7	3,0	5,1	5,1	4,3
	$\delta_{Vse}$	[mm]	3,8	3,1	4,1	4,5	7,6	7,6	6,5
Seismic action C2									
Displacement for DLS	$\delta_{V,seis,C2(DLS)}$	[mm]	-	2,3	3,1	3,0	2,6	2,6	1,6
Displacement for ULS	$\delta_{V,seis,C2(ULS)}$	[mm]	-	4,8	6,4	6,1	6,6	6,6	4,8
<b>WHA1H and WHA1C</b>									
Shear load in cracked and non-cracked concrete	V	[kN]	10,1	17,1	27,5	41,5	72	72	77
Displacement	$\delta_{V0}$	[mm]	2,9	2,5	3,6	3,5	7,0	7,0	4,3
	$\delta_{Vse}$	[mm]	4,4	3,8	5,4	5,3	10,5	10,5	6,5
Seismic action C2 (WHA1H)									
Displacement for DLS	$\delta_{V,seis,C2(DLS)}$	[mm]	-	2,3	3,1	3,0	3,3	3,3	1,6
Displacement for ULS	$\delta_{V,seis,C2(ULS)}$	[mm]	-	4,8	6,4	6,1	8,2	8,2	4,8
<b>Stainless steel A4</b>									
Shear load in cracked and non-cracked concrete	V	[kN]	-	13,9	21,1	34,7	50,8	-	-
Displacement	$\delta_{V0}$	[mm]	-	3,4	4,9	4,8	6,7	-	-
	$\delta_{Vse}$	[mm]	-	5,1	7,4	7,1	10,1	-	-
Seismic action C2									
Displacement for DLS	$\delta_{V,seis,C2(DLS)}$	[mm]	-	2,8	3,1	2,6	3,3	-	-
Displacement for ULS	$\delta_{V,seis,C2(ULS)}$	[mm]	-	5,6	5,8	5,0	6,9	-	-

**Walraven Highload Anchor WHA1**

**Performance**  
Displacements under shear load

**Annex C10**

## Find out how we can support

Would you like to find out more about any of the solutions described in this brochure? Or would you like to discuss how we could support you find the best possible solution for your project? Get in touch today!

### Other countries

---

#### Walraven International

P.O. Box 15  
3640 AA Mijdrecht (NL)  
Tel. +31 (0)297 23 30 00  
Fax +31 (0)297 23 30 99  
[export@walraven.com](mailto:export@walraven.com)

#### Walraven Group

Mijdrecht (NL) · Tienen (BE) · Bayreuth (DE) · Banbury (GB) · Malmö (SE) · Grenoble (FR) · Barcelona (ES) · Kraków (PL)  
Mladá Boleslav (CZ) · Moscow (RU) · Kyiv (UA) · Detroit (US) · Shanghai (CN) · Dubai (AE) · Budapest (HU)