

### Features

- 60"L x 32"W x 20"H.
- Standard-sized bath designed for quick and easy installation.
- Designed for one-person bathing.
- Includes integral apron and flange to simplify installation.
- Textured bottom surface.

### Material

- Acrylic.

### Installation

- Alcove.



### Recommended Products/Accessories

- K-1278 Removable Apron
- K-1491 Bath/Whirlpool Pillow
- K-1601 Bath/Whirlpool Footstop
- K-7161-AF 1-1/2" adjustable pop-up drain above- or through-floor
- K-7213 27" Cable Bath Drain
- K-7214 27" Cable Bath Drain
- K-7259 Clearflo Bath Drain
- K-702200-G54 Frameless Sliding Bath Door
- K-702200-G73 Frameless Sliding Bath Door
- K-702200-L Frameless Sliding Bath Door
- K-702205-L Frameless Sliding Bath Door
- K-23726 Drain treatment
- K-23732 Tub & shower cleaner

### Codes/Standards




- CSA B45.5/IAPMO Z124
- ASTM E162
- ASTM E662

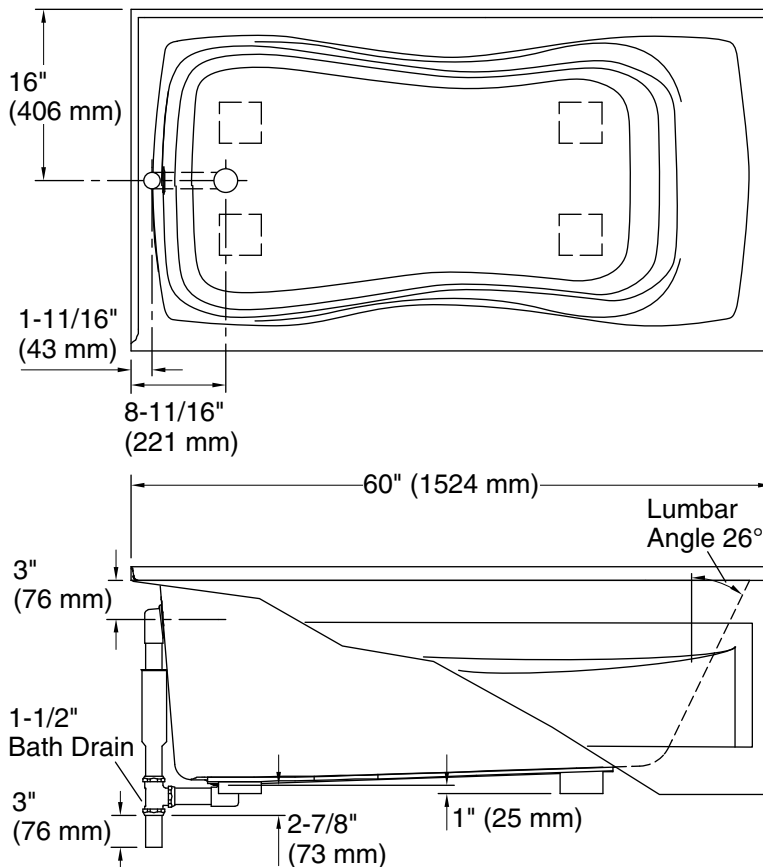
### KOHLER® Plastic Baths and Receptors Lifetime Limited Warranty

See website for detailed warranty information.

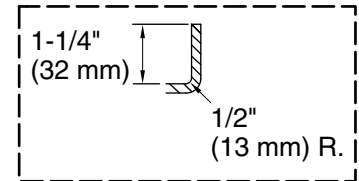
### Available Colors/Finishes

*Color tiles intended for reference only.*

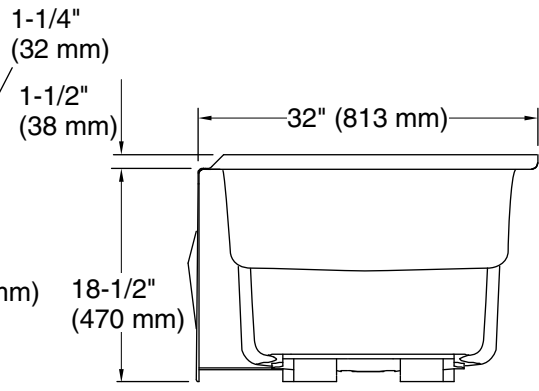
Color	Code	Description
	0	White
	96	Biscuit
	47	Almond



No change in measurements if connected with drain illustrated. (K-7161-AF)



Integral Flange Detail



### Technical Information

All product dimensions are nominal.

- Installation: Three-wall alcove
- Drain location: Left
- Basin area, bottom: 47" x 20" (1194 mm x 508 mm)
- Basin area, top: 53" x 23" (1346 mm x 584 mm)
- Weight: 80 lbs (36.3 kg)
- Minimum floor load: 48 lbs/ft<sup>2</sup> (234.4 kg/m<sup>2</sup>)
- Water depth: 14-1/2" (368 mm)
- Water capacity: 64 gal (242.3 L)
- Minimum flat for door: 2-3/8" (60 mm)

### Notes

- Measure your actual product for rough-in details.
- Install this product according to the installation instructions.
- The hot water supply should be 70% of the capacity of the bath or greater. Installations will vary.