

BIS RapidStrut® Support System

Technical Data

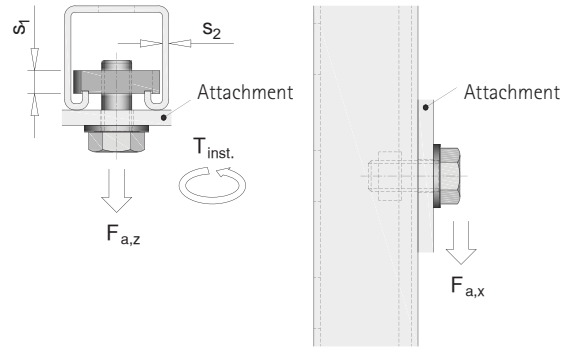
BIS Strut Slide Nut



Type zinc plated (ZP)
 Type hot dip galvanized (HDG)
 Type BIS UltraProtect® 1000 (BUP)
 Type Stainless Steel (SSt)

Part No.

65170XX (ZP)
 65180XX (HDG)
 651880XX (BUP)
 65177XX (SSt)



BIS RapidStrut® Slide Nut with Plastic Tabs



Type zinc plated (ZP)
 Type BIS UltraProtect® 1000 (BUP)
 Type Stainless Steel (SSt)

Part No.

65186XX (ZP)
 6518680XX (BUP)
 6518670XX (SSt)

Product details

BIS Strut Slide Nut and BIS RapidStrut® Slide Nut with Plastic Tabs

BIS Strut Slide Nut				BIS RapidStrut® Slide Nut with Plastic Tabs				T _{inst.} (Nm)		
ZP	HDG	BUP	SSt	ZP	BUP	SSt	Dim.	S ₂ = 1.5 mm	S ₂ = 2.0 mm	S ₂ = 2.5 mm
6517006	6518006	65188006	6517706	6518606	651868006	651867006	M6	7.0	7.0	7.0
6517008	6518008	65188008	6517708	6518608	651868008	651867008	M8	25.0	25.0	25.0
6517010	6518010	65188010	6517710	6518610	651868010	651867010	M10	40.0	40.0	40.0
6517012	6518012	65188012	6517712	6518612	651868012	651867012	M12	40.0	50.0	50.0

BIS Strut Slide Nut and BIS RapidStrut® Slide Nut with Plastic Tabs

Maximum allowed load						
G	F _{a,x} (N)			F _{a,z} (N)		
	S ₂ = 1.5 mm	S ₂ = 2.0 mm	S ₂ = 2.5 mm	S ₂ = 1.5 mm	S ₂ = 2.0 mm	S ₂ = 2.5 mm
M6	730	880	950	2,310	2,460	2,660
M8	1,000	1,600	2,200	2,660	3,580	4,500
M10	1,200	1,950	2,550	4,210	4,600	5,000
M12	1,200	2,430	2,950	4,210	4,600	5,000



UK +44 (0)1295 75 34 00
 DE +49 (0)921 75 60 0
 NL +31 (0)297 23 30 00
 BE +32 (0)16 82 20 40
 FR +33 (0)4 76 04 10 70

ES +34 93 721 33 75
 PL +48 12 684 00 95
 CZ/SK +420 326 724 009
 HU (+36 1) 920 2458
 RU +7 (495) 664 35 08

UA +380 44 351 27 47
 US +1 800 610 5056
 DK +45 46 37 05 10
 SE +46 (0)40 36 54 20
 NO +45 46 37 05 10

CN +86 21 5176 0268
 SG +65 9146 8260
Other countries
 +31 (0)297 23 30 00