

ETOILE

ETLS62

Etoile Gooseneck Three Hole Deck Mounted Lavatory Faucet with Metal Lever Handles



SHOWN IN ETOILE GOOSENECK THREE HOLE DECK MOUNTED LAVATORY FAUCET WITH METAL LEVER HANDLES| ETLS62

TECHNICAL DETAILS

Adjustable versus Fixed Spray: Fixed Spray
 Deck Thickness Maximum: 1 3/8"
 Deck Thickness Minimum: 0"
 Drain Assembly Materials: Brass
 Drain Depth Maximum: 1 3/4"
 Drain Hole Diameter: 1 3/4"
 Drain Style: Pop-up
 Escutcheon Primary Material: Brass
 Fittings Hole Diameter: 1 3/8"
 Handle Spread Maximum: 12"
 Handle Spread Minimum: 8"
 Handle Turn Angle: Quarter Turn
 Depth / Width: 9"
 Drain Depth Minimum: 1 3/8"
 Height: 8 1/2"
 Inlet Connection Size: 1/2"
 Inlet Connection Type: Male with Supply Nut
 Inlet Supply Spread Maximum: 12"
 Inlet Supply Spread Minimum: 8"
 Installation Type: Deck Mounted
 Length: 11 1/2"
 Number of Handles: Two
 Number of Holes: Three Hole
 Primary Material: Brass
 Restricted Maximum Flow Rate: 1.2 gpm
 Spout Swivel: Y
 Suggested Application: Bath
 Valve Material: Ceramic
 Water Pressure Maximum: 85.0 psi
 Water Pressure Minimum: 20.0 psi
 Water Pressure Recommended: 45.0 psi

INSPIRATION

Defined elegance. Etoile has a European sophistication with a timeless sense of chic.

CODES & STANDARDS

Code # ETLS61: Certified with IAPMO, NSF, CEC & State of MA.
 Complies with ASME A112.18.1 / CSA B125.1, ANSI 61 Sect. 9, ANSI A117.1 ADA, & ASTM E 1621-05.

PRODUCT FEATURES

Metal lever handles
 Includes European size pop up drain
 Features gooseneck spout whose lyrical curve complements the graceful, elongated curves of all pieces in the line
 Stocked in Chrome, Nickel, Matte Nickel, and Unlacquered Brass
 Available in 1.2gpm (4.5L/min) flow rate

CERTIFICATIONS



PRODUCT (NOTES)

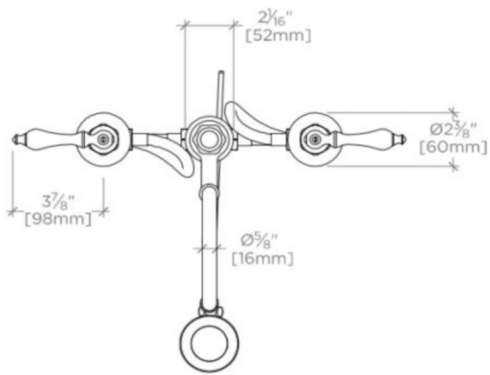
Sold with European style drain; USA style drain sold separately for use with non-Waterworks sinks.

WATERWORKS

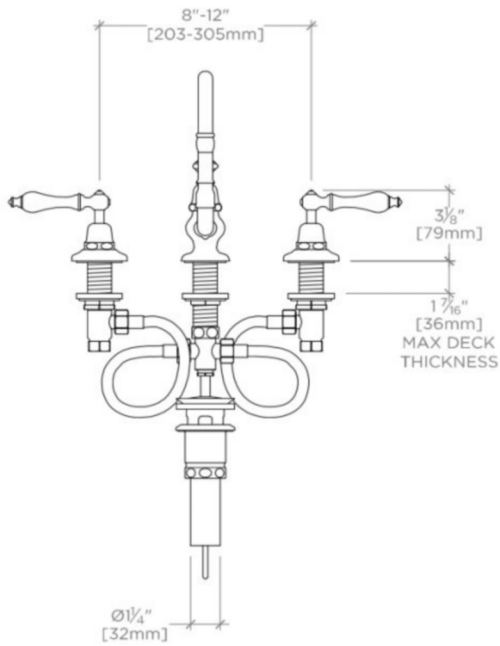
ETOILE

ETLS62

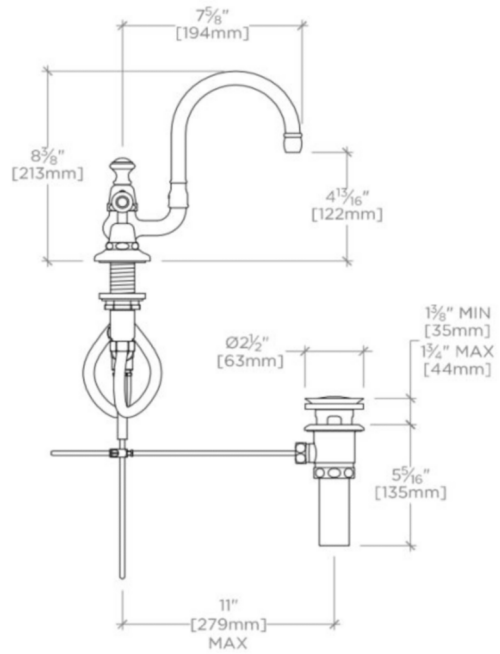
Etoile Gooseneck Three Hole Deck Mounted Lavatory Faucet with Metal Lever Handles



TOP VIEW SCALE: 1 1/2"=1'-0"



FRONT VIEW SCALE: 1 1/2"=1'-0"



SIDE VIEW SCALE: 1 1/2"=1'-0"