

## ETOILE

## ETLS66

Etoile Low Profile Two Hole Wall Mounted Lavatory Faucet (Straight Spout) with Cross Handles



SHOWN IN ETOILE LOW PROFILE TWO HOLE WALL MOUNTED LAVATORY FAUCET (STRAIGHT SPOUT) WITH CROSS

### TECHNICAL DETAILS

ADA Compliance: Yes  
 Adjustable versus Fixed Spray: Fixed Spray  
 Drain Assembly Materials: Brass  
 Drain Depth Maximum: 2 3/4"  
 Drain Hole Diameter: 1 3/4"  
 Drain Style: Lift and Turn  
 Escutcheon Primary Material: Brass  
 Fittings Hole Diameter: 1 1/4"  
 Handle Spread Maximum: 7 7/8"  
 Handle Spread Minimum: 7 7/8"  
 Handle Turn Angle: Quarter Turn  
 Index Color / Finish and Material: White Porcelain  
 Depth / Width: 9"  
 Drain Depth Minimum: 1"  
 Height: 2 7/8"  
 Index Marking: H/C  
 Inlet Connection Size: 1/2"  
 Inlet Connection Type: Female NPT  
 Inlet Supply Spread Maximum: 7 7/8"  
 Inlet Supply Spread Minimum: 7 7/8"  
 Installation Type: Wall Mounted  
 Length: 10 1/4"  
 Number of Handles: Two  
 Number of Holes: Two Hole  
 Primary Material: Brass  
 Restricted Maximum Flow Rate: 1.2 gpm  
 Spout Swivel: N  
 Suggested Application: Bath  
 Valve Material: Ceramic  
 Water Pressure Maximum: 85.0 psi  
 Water Pressure Minimum: 20.0 psi  
 Water Pressure Recommended: 45.0 psi

### INSPIRATION

Defined elegance. Etoile has a European sophistication with a timeless sense of chic.

### CODES & STANDARDS

Code # ETLS66: Certified with IAPMO, NSF, CEC & State of MA.  
 Complies with ASME A112.18.1 / CSA B125.1, ANSI 61 Sect. 9, ANSI A117.1 ADA, & ASTM E 1621-05.

### PRODUCT FEATURES

Metal cross handles  
 Includes European size lift and turn drain  
 Features dew-drop designed cross handles and graceful, elongated curves  
 Stocked in Chrome, Nickel, Matte Nickel, and Unlacquered Brass  
 Available in 1.2gpm (4.5L/min) flow rate

### CERTIFICATIONS



### PRODUCT (NOTES)

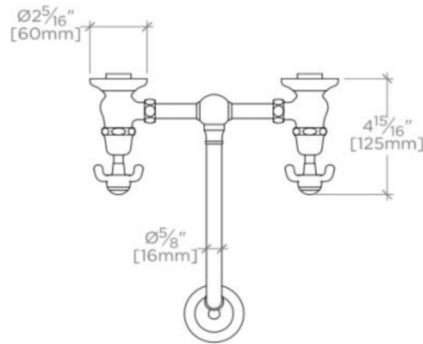
Sold with European style drain; USA style drain sold separately for use with non-Waterworks sinks.

# WATERWORKS

## ETOILE

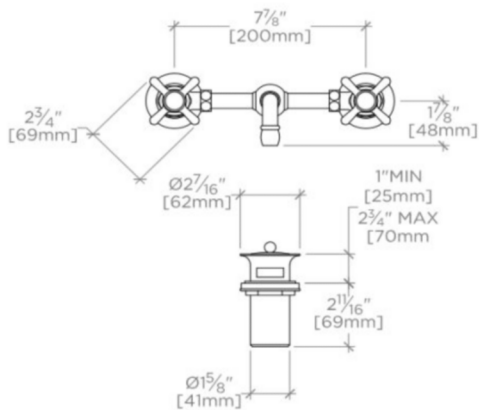
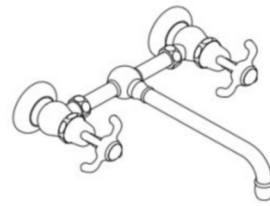
ETLS66

Etoile Low Profile Two Hole Wall Mounted Lavatory Faucet (Straight Spout) with Cross Handles



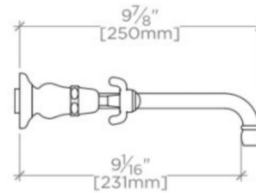
TOP VIEW

SCALE:  $1\frac{1}{2}"=1'-0"$



FRONT VIEW

SCALE:  $1\frac{1}{2}"=1'-0"$



SIDE VIEW

SCALE:  $1\frac{1}{2}"=1'-0"$

