

ETOILE

ETLS69

Etoile Low Profile Two Hole Wall Mounted Lavatory Faucet (Curved Spout) with Cross Handles



SHOWN IN ETOILE LOW PROFILE TWO HOLE WALL MOUNTED LAVATORY FAUCET (CURVED SPOUT) WITH CROSS HANDLES]

TECHNICAL DETAILS

ADA Compliance: Yes
 Adjustable versus Fixed Spray: Fixed Spray
 Drain Assembly Materials: Brass
 Drain Depth Maximum: 2 3/4"
 Drain Hole Diameter: 1 3/4"
 Drain Style: Lift and Turn
 Escutcheon Primary Material: Brass
 Fittings Hole Diameter: 1 1/4"
 Handle Spread Maximum: 7 7/8"
 Handle Spread Minimum: 7 7/8"
 Handle Turn Angle: Quarter Turn
 Index Color / Finish and Material: White Porcelain
 Depth / Width: 9"
 Drain Depth Minimum: 1"
 Height: 2 7/8"
 Index Marking: Hot/Cold
 Inlet Connection Size: 1/2"
 Inlet Connection Type: Female NPT
 Inlet Supply Spread Maximum: 7 7/8"
 Inlet Supply Spread Minimum: 7 7/8"
 Installation Type: Wall Mounted
 Length: 10 1/4"
 Number of Handles: Two
 Number of Holes: Two Hole
 Primary Material: Brass
 Restricted Maximum Flow Rate: 1.2 gpm
 Spout Swivel: Y
 Suggested Application: Bath
 Valve Material: Ceramic
 Water Pressure Maximum: 85.0 psi
 Water Pressure Minimum: 20.0 psi
 Water Pressure Recommended: 45.0 psi

INSPIRATION

Defined elegance. Etoile has a European sophistication with a timeless sense of chic.

CODES & STANDARDS

Code # ETLS69: Certified with IAPMO, NSF, CEC & State of MA.
 Complies with ASME A112.18.1 / CSA B125.1, ANSI 61 Sect. 9, ANSI A117.1 ADA, & ASTM E 1621-05.

PRODUCT FEATURES

Metal cross handles
 Includes European size lift and turn drain
 Features dew-drop designed cross handles and gracefully curved spout
 Stocked in Chrome, Nickel, Matte Nickel, and Unlacquered Brass
 Available in 1.2gpm (4.5L/min) flow rate

CERTIFICATIONS

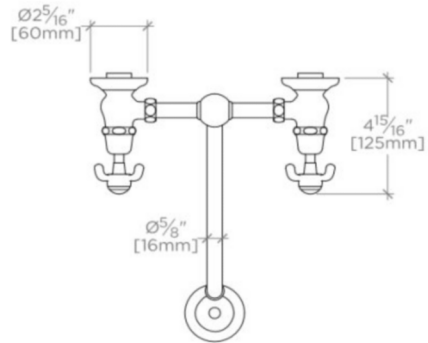


WATERWORKS

ETOILE

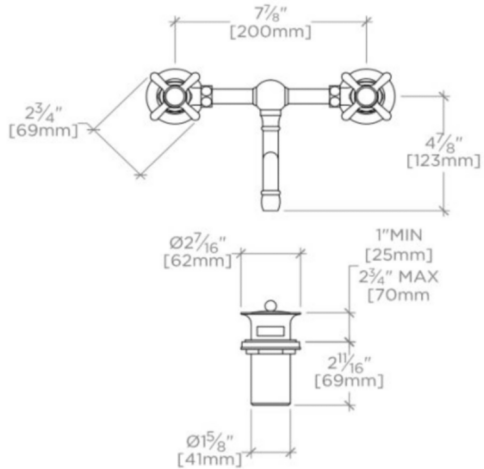
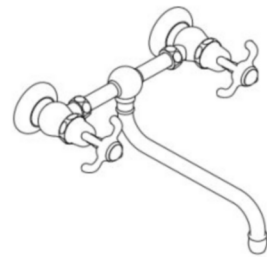
ETLS69

Etoile Low Profile Two Hole Wall Mounted Lavatory Faucet (Curved Spout) with Cross Handles



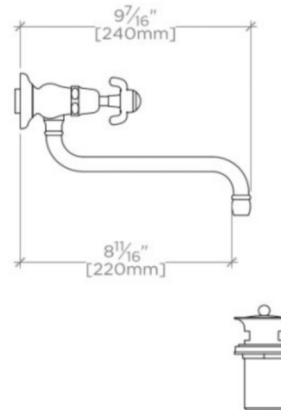
TOP VIEW

SCALE: 1/2"=1'-0"



FRONT VIEW

SCALE: 1/2"=1'-0"



SIDE VIEW

SCALE: 1/2"=1'-0"