
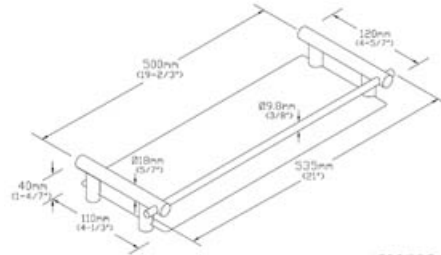



<p align="center">Bathroom shelf</p>	<p align="center">Código: AI0060C</p>
<p>General description</p> <ul style="list-style-type: none"> ·Shelf, stainless steel AISI 304, bright finish, for mounting on the wall. ·Suitable for the hotel sector, for fitting out the bathrooms in the hotel rooms. ·Model suitable for public use. ·With no removable components. 	
<p>Components and Materials</p> <ul style="list-style-type: none"> ·Stainless steel AISI 304 shelf, 0.8 mm thick, bright finish. ·Stainless steel AISI 304 arm, 0.8 mm thick, bright finish. Completely welded construction. ·Mounting on the wall by means of two screws. 	
<p>Technical Specifications</p> <div style="border: 1px solid black; padding: 5px; width: fit-content; margin: 10px auto;"> <p>Maximum dimensions - 40x 535 x 120 mm Distance from the wall - 120 mm</p> </div>	<p align="center">Dim.: ±4%</p>
<p>Operation</p> <p>No specific instructions for its use required.</p>	
<p>Certificates & Qualifications</p> <p>ISO 9001:2008.</p>	
<p>Mediclinics, S.A., reserves the right to make changes and/or modifications to the products and their specifications without prior notice.</p> <p align="center">mediclinics S.A</p> <div style="float: right; text-align: right;">  </div>	