

22 512 892



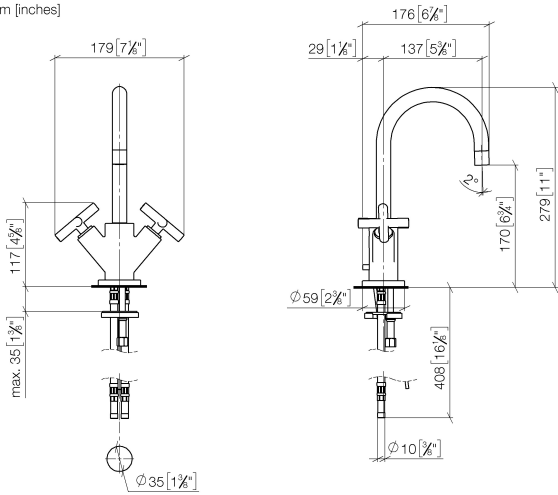
- 135mm projection
- pivotable spout 360°
- circular, air-enriched flow
- height of mixer 275 mm
- height up to aerator 168 mm
- hole diameter 35 mm
- rosette Ø 59 mm
- 2x screw-in M 10 x 1 pressure hose, leak-tested
- max. flow 7 l/min
- lead-free
- This product can help a building meet the requirements of Green Building Rating Systems, e.g. LEED®, BREEAM®, DGNB
- WRAS 1810003

Only suitable for basins with an overflow.

|  |                                |               |
|--|--------------------------------|---------------|
|    | Brushed Bronze                 | 22 512 892-42 |
|    | Chrome                         | 22 512 892-00 |
|    | Brushed Platinum               | 22 512 892-06 |
|    | Platinum                       | 22 512 892-08 |
|    | Dark Chrome                    | 22 512 892-19 |
|    | Brushed Durabronze (23kt Gold) | 22 512 892-28 |
|    | Matte Black                    | 22 512 892-33 |
|    | Brushed Champagne (22kt Gold)  | 22 512 892-46 |
|    | Champagne (22kt Gold)          | 22 512 892-47 |
|   | Brushed Chrome                 | 22 512 892-93 |
|  | Brushed Dark Platinum          | 22 512 892-99 |

22 512 892

mm [inches]



**Flow rate chart**



**Codes & Standards**

DIN 4109

Executive Order  
no. 1007

ISO 3822

Ü-Zeichen



TARA Single-hole basin mixer with pop-up waste - Brushed Bronze

TARA

22 512 892

Certificates

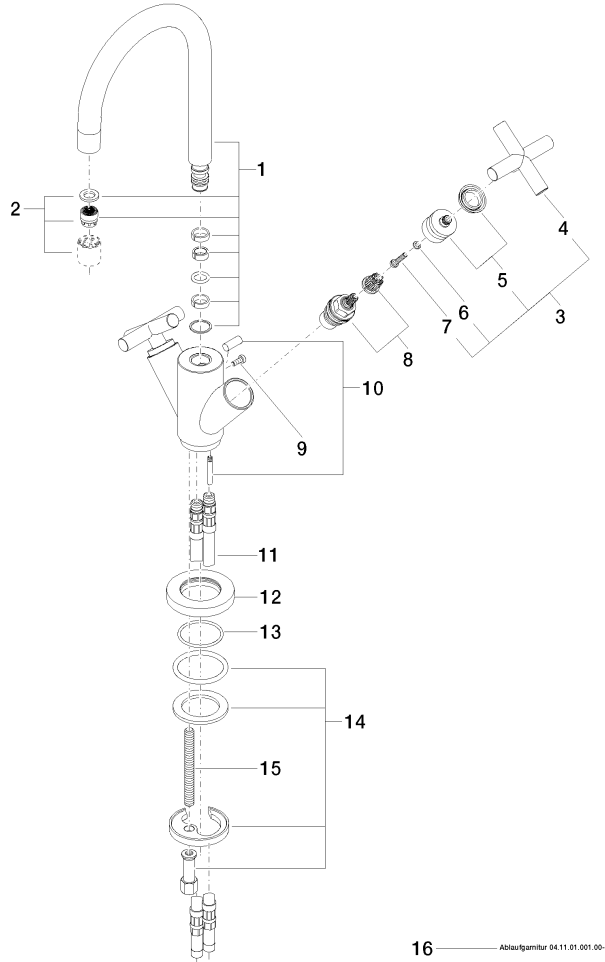
LGA\_18

GDV\_0400

22 512 892

Product version from 5/27/2021

Parts for other finishes can be found here: Chrome





22 512 892

## **Spare parts list**

**Product version from 5/27/2021**