

ETOILE

Etoile Ceiling Mounted 8" Shower Rose, Arm and Flange

ETSH17



SHOWN IN ETOILE WALL OR CEILING MOUNTED 8" SHOWER ROSE| ETSH18

TECHNICAL DETAILS

Adjustable versus Fixed Spray: Adjustable Spray
Diameter of Head: 8"
Escutcheon Primary Material: Brass
Fittings Hole Diameter: 1 3/8"
Depth / Width: 8"
Height: 13"
Inlet Connection Size: 3/4"
Inlet Connection Type: Female NPT
Installation Type: Ceiling Mounted
Integrated Diverter: N
Length: 8"
Pivot: N
Primary Material: Brass
Restricted Maximum Flow Rate: 2.5 gpm
Suggested Application: Bath
Water Pressure Maximum: 85.0 psi
Water Pressure Minimum: 20.0 psi
Water Pressure Recommended: 45.0 psi

INSPIRATION

Defined elegance. Etoile has a European sophistication with a timeless sense of chic.

CODES & STANDARDS

Code # ETSH17: Certified with IAPMO, CEC & State of MA. Complies with ASME A112.18.1/CSA B125.1, ANSI 117.1 ADA, & ASTM E 1621-05.

PRODUCT FEATURES

Solid brass construction
Swiveling 8" shower rose
Features graceful, elongated curves
Stocked in Chrome, Nickel, Matte Nickel, and Unlacquered Brass
Stocked in 2.5gpm (9.5L/min) flow rate. Alternate flow regulation of 1.75gpm (6.6/min) also available as special order

CERTIFICATIONS



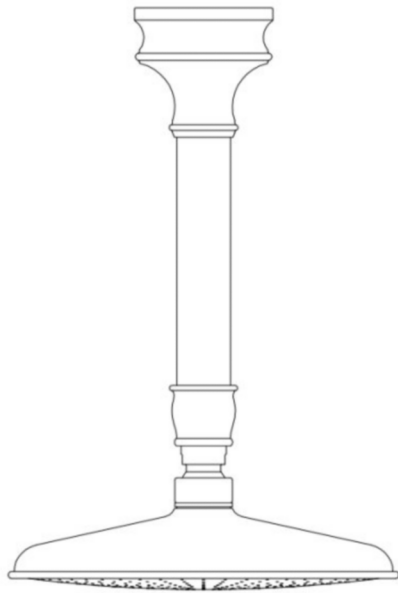
ETOILE

ETSH17

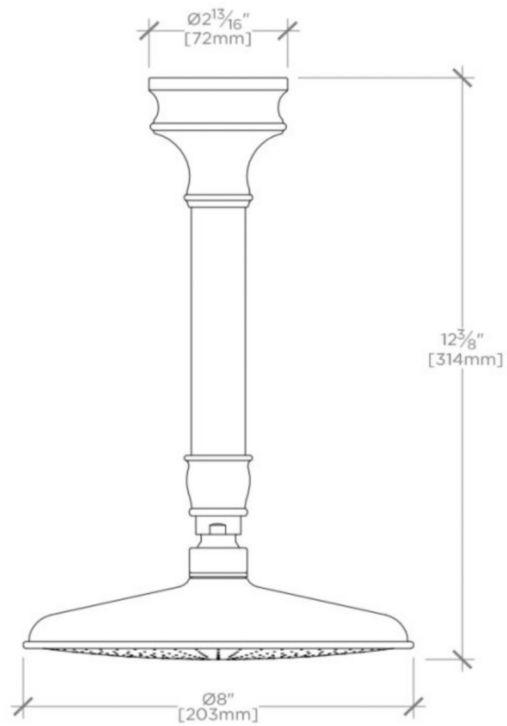
Etoile Ceiling Mounted 8" Shower Rose, Arm and Flange



TOP VIEW SCALE: 3"=1'-0"



FRONT VIEW SCALE: 3"=1'-0"



SIDE VIEW SCALE: 3"=1'-0"