

## ETOILE

Etoile Thermostatic Control Valve Trim with Metal Cross Handle

## ETTH26



SHOWN IN ETOILE THERMOSTATIC CONTROL VALVE TRIM WITH METAL CROSS HANDLE| ETTH26

### TECHNICAL DETAILS

ADA Compliance: Yes  
Control Valve Rough-in Depth Maximum: 8"  
Control Valve Rough-in Depth Minimum: 2"  
Diverter Valve Rough-in Depth Maximum: 2.66"  
Diverter Valve Rough-in Depth Minimum: 2.58"  
Escutcheon Primary Material: Brass  
Index Color / Finish and Material: White Porcelain  
Depth / Width: 4 1/2"  
Height: 3"  
Index Marking: Blank  
Integrated Diverter: N  
Length: 3"  
Number of Handles: One  
Primary Material: Brass  
Suggested Application: Bath

### INSPIRATION

Defined elegance. Etoile has a European sophistication with a timeless sense of chic.

### CODES & STANDARDS

Code # ETSV26: Certified with IAPMO & State of MA. Complies with ASME A112.18.1/CSA B125.1, ANSI 117.1 ADA & ASTM E 1621-05.

### PRODUCT FEATURES

Metal cross handle

Allows bather to adjust temperature of all waterway outlets with a hot limit safety stop providing anti-scald protection

Features dew-drop designed cross handle and graceful, elongated curves

Stocked in Chrome, Nickel, Matte Nickel, and Unlacquered Brass

Requires rough valve, sold separately: GUTH37 (US) / GU37TH (UK)

### CERTIFICATIONS



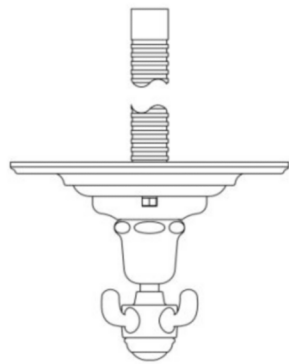
### PRODUCT (NOTES)

Requires valve GUSV37 sold separately.

## ETOILE

## ETTH26

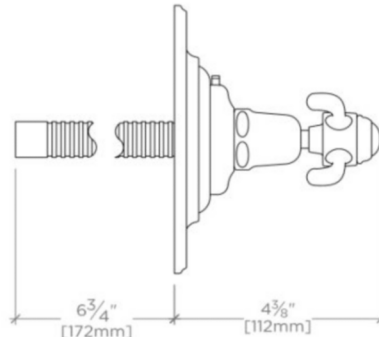
Etoile Thermostatic Control Valve Trim with Metal Cross Handle



TOP VIEW SCALE: 3"=1'-0"



FRONT VIEW SCALE: 3"=1'-0"



SIDE VIEW SCALE: 3"=1'-0"