

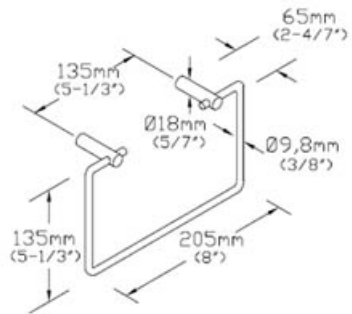
Towel ring
Código: AI0090CS

General description

- Towel ring, stainless steel AISI 304, satin finish, square form, for mounting on the wall.
- Suitable for the hotel sector, for fitting out the bathrooms in the hotel rooms.
- Model suitable for public use.
- With no removable components.
- It normally goes along with a stainless steel soap dispenser.


Components and Materials

- Stainless steel AISI 304 ring, square form, 0.8 mm, satin finish.
- Stainless steel AISI 304 arm, 0.8 mm thick, satin finish. Completely welded construction.
- Mounting on the wall by means of two screws.


Technical Specifications

Dimensions - 135x205x65 mm
 Distance from the wall - 65 mm

Dim.: ±4%

Operation

No specific instructions for its use required.

Certificates & Qualifications

ISO 9001:2008.

Mediclinics, S.A., reserves the right to make changes and/or modifications to the products and their specifications without prior notice.

mediclinics S.A

