

## ETOILE

Etoile Pair of 2 3/8" x 4 3/8" x 6 1/4" Deck Unions

ETUN10



SHOWN IN ETOILE PAIR OF 2 3/8" X 4 3/8" X 7 1/2" DECK UNIONS | ETUN90

### TECHNICAL DETAILS

Deck Thickness Maximum: 1 1/2"  
Fittings Hole Diameter: 1 3/8"  
Depth / Width: 4 3/8"  
Height: 6 1/4"  
Inlet Connection Size: 3/4"  
Inlet Connection Type: Male NPT  
Length: 2 3/8"  
Outlet Connection Size: 3/4"  
Outlet Connection Type: Male Straight Threads  
Primary Material: Brass  
Suggested Application: Bath

### INSPIRATION

Defined elegance. Etoile has a European sophistication with a timeless sense of chic.

### CODES & STANDARDS

Code # ETPTU1: Certified with IAPMO & State of MA. Complies with ASME A112.18.1/CSA B125.1, ANSI 117.1 ADA, & ASTM E 1621-05.

### PRODUCT FEATURES

Brass is used on all trim and valve component parts.

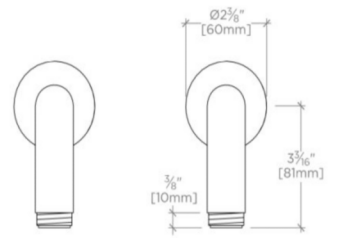
The manufacturing process encompasses casting, turning, forging, hand-fitting and hand polishing.



## ETOILE

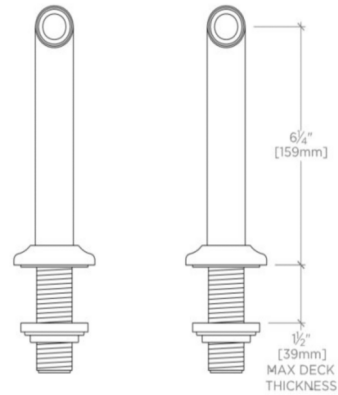
ETUN10

Etoile Pair of 2 3/8" x 4 3/8" x 6 1/4" Deck Unions



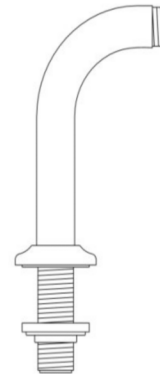
TOP VIEW

SCALE: 3"=1'-0"



FRONT VIEW

SCALE: 3"=1'-0"



SIDE VIEW SCALE: 3"=1'-0"