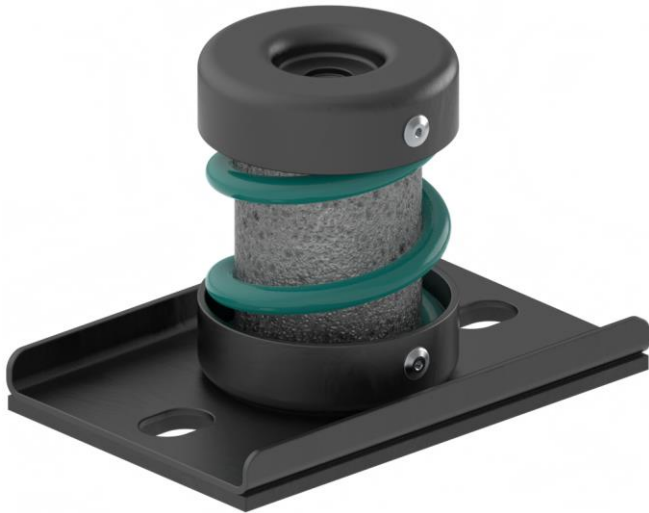


Walraven VibraTek® MS-1 Spring Mount

High performance spring isolator for light equipment

Walraven VibraTek® MS-1

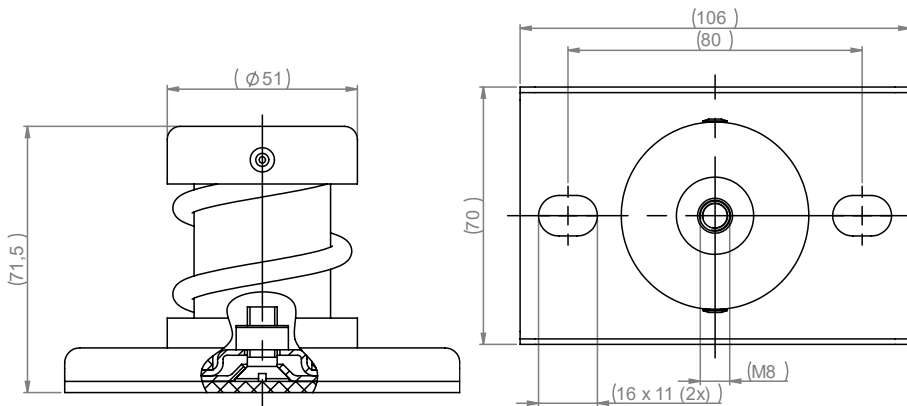
Features and benefits



- Recommended for equipment with low working speeds of 700 RPM or above
- Flexible internal filler prevents debris and solid elements entering and damaging the spring under load
- Ribs in the metal base provide increased stiffness
- Slot holes facilitate positioning and anchoring to the base material
- Epoxy powder-coated base, caps and springs provide resistance to corrosion

Technical Drawing

Applications



- Compressors, fans, pumps, other building service machinery

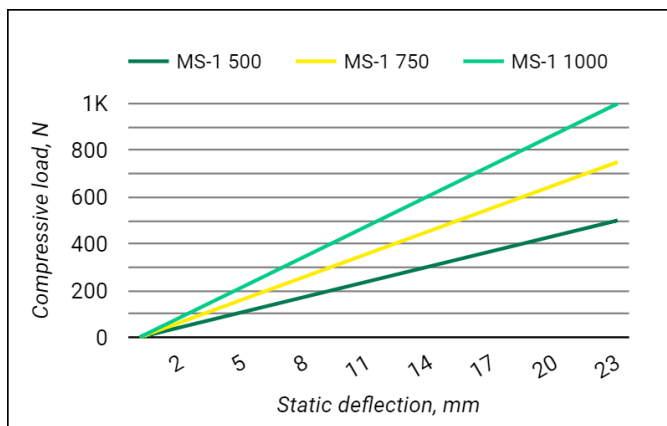
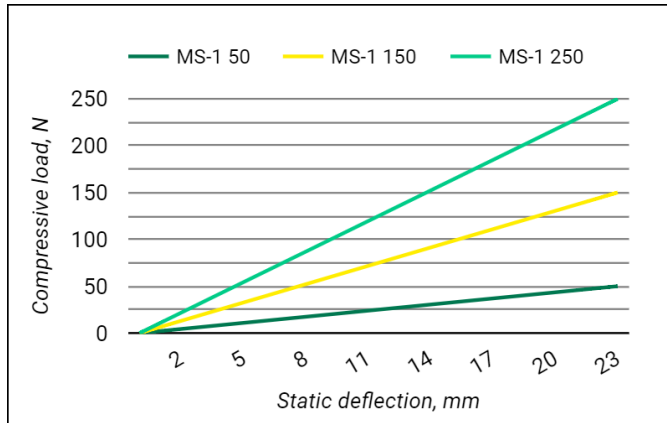
1. Product and packaging details

Article	Description	Dimension	Piece		Pack 1	
			[pcs]	EAN13	[pcs]	EAN13
2800300050	MS-1 Spring Mount 23mm	50/M8	1	8719942045339	30	8719942045346
2800300150	MS-1 Spring Mount 23mm	150/M8	1	8719942045360	30	8719942045377
2800300250	MS-1 Spring Mount 23mm	250/M8	1	8719942045407	30	8719942045414
2800300500	MS-1 Spring Mount 23mm	500/M8	1	8719942045438	30	8719942045445
2800300750	MS-1 Spring Mount 23mm	750/M8	1	8719942045469	30	8719942045476
2800301000	MS-1 Spring Mount 23mm	1000/M8	1	8719942045490	30	8719942045506

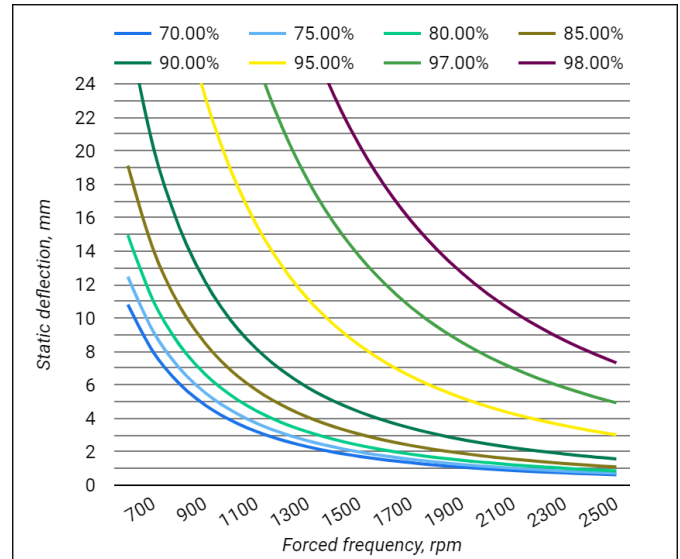
2. Performance data

Article	Description	Dimension	Max. Deflection	Min. load	Max. load	Optimal load
			[mm]	[N]	[N]	[N]
2800300050	MS-1 Spring Mount	50/M8	23mm	5	50	10-45
2800300150	MS-1 Spring Mount	150/M8	23mm	20	150	30-140
2800300250	MS-1 Spring Mount	250/M8	23mm	30	250	50-230
2800300500	MS-1 Spring Mount	500/M8	23mm	50	500	100-460
2800300750	MS-1 Spring Mount	750/M8	23mm	80	750	150-690
2800301000	MS-1 Spring Mount	1000/M8	23mm	100	1000	200-920

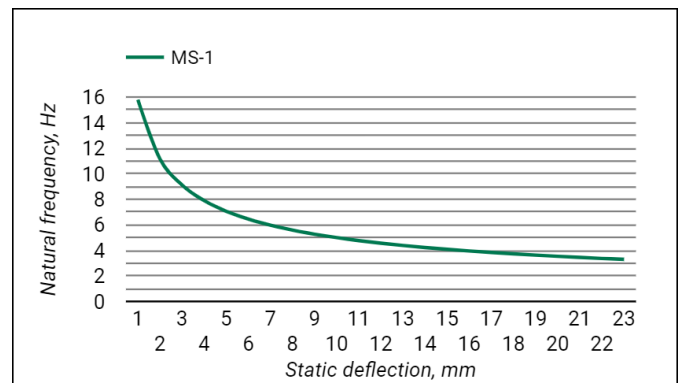
2.1 Static deflection



2.2 Isolation efficiency



2.2 Natural frequency



3. Dynamic properties

Description	Value
Damping factor	0.005
Average ratio $K_x / K_z = K_y / K_z$	≈ 0.7
Maximum transient overload % on maximum load	50 %
Working temperature	-90° C to +150 °C