

## ETOILE

## ETXS53

Etoile Exposed Thermostatic System with 4 1/2" Shower Rose and White Porcelain Lever Handle



SHOWN IN ETOILE EXPOSED THERMOSTATIC SYSTEM WITH 4 1/2" SHOWER ROSE AND WHITE PORCELAIN LEVER HANDLES]

### TECHNICAL DETAILS

ADA Compliance: Yes  
 Adjustable versus Fixed Spray: Fixed Spray  
 Assembly / Configuration: Completely Assembled  
 Diameter of Head: 4 1/2"  
 Escutcheon Primary Material: Brass  
 Fittings Hole Diameter: 1 3/8"  
 Handle Turn Angle: Quarter Turn  
 Depth / Width: 15"  
 Height: 52"  
 Inlet Connection Size: 3/4"  
 Inlet Connection Type: Female NPT  
 Inlet Supply Spread Maximum: 10 1/4"  
 Inlet Supply Spread Minimum: 10 1/4"  
 Installation Type: Wall Mounted  
 Integrated Diverter: Y  
 Length: 12 1/2"  
 Number of Handles: Two  
 Pivot: Y  
 Primary Material: Brass  
 Restricted Maximum Flow Rate: 2.5 gpm  
 Suggested Application: Bath  
 Valve Material: Brass  
 Water Pressure Maximum: 85.0 psi  
 Water Pressure Minimum: 20.0 psi  
 Water Pressure Recommended: 45.0 psi

### INSPIRATION

Defined elegance. Etoile has a European sophistication with a timeless sense of chic.

### CODES & STANDARDS

Code # ETSV53: Certified with IAPMO & State of MA. Complies with ASME A112.18.1/CSA B125.1, ANSI 117.1 ADA & ASTM E 1621-05.

### PRODUCT FEATURES

White porcelain lever and metal cross handle  
 Swiveling 4 1/2" shower rose. Allows bather to adjust temperature to a single outlet with a hot limit safety stop providing anti-scald protection  
 Features graceful, elongated curves  
 Stocked in Chrome, Nickel, Matte Nickel, and Unlacquered Brass  
 Stocked in 2.5gpm (9.5L/min) flow rate. Alternate flow regulation of 1.75gpm (6.6/min) also available as special

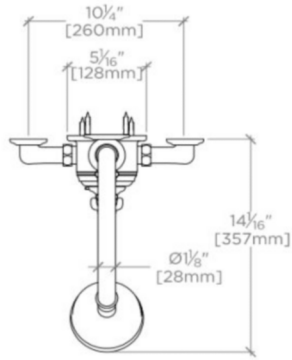
### CERTIFICATIONS



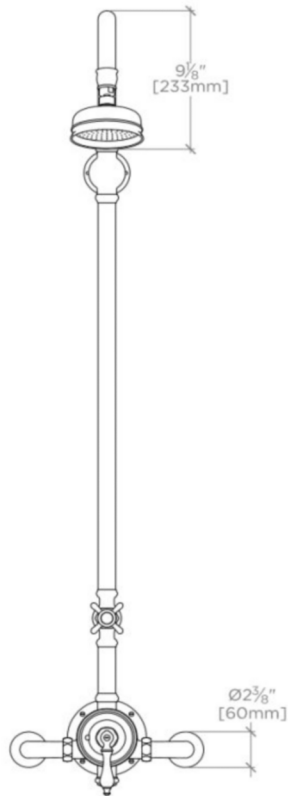
## ETOILE

ETXS53

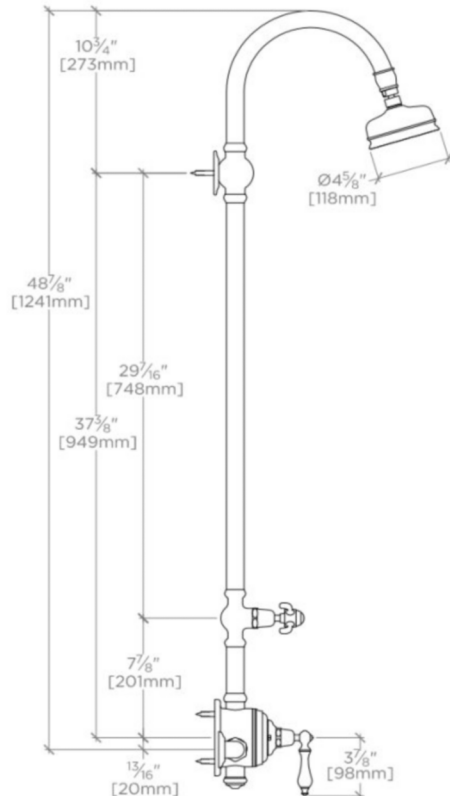
Etoile Exposed Thermostatic System with 4 1/2" Shower Rose and White Porcelain Lever Handle



TOP VIEW SCALE: 1"=1'-0"



FRONT VIEW SCALE: 1"=1'-0"



SIDE VIEW SCALE: 1"=1'-0"