



HEATSAIL  
EXTEND YOUR GREAT MOMENTS

## DOME® PT by HEATSAIL

# TECHNICAL INFORMATION



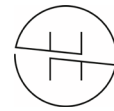
RUSTPROOF &  
WEATHERPROOF



LOW ENERGY USAGE  
ZERO CO2 EMISSION



MINIMUM OF  
MAINTENANCE



HEATSAIL

EXTEND YOUR GREAT MOMENTS

## DOME® PT by HEATSAIL

### FEATURES



MINIMUM OF  
MAINTENANCE

By using high efficient and durable ceramic heating elements and the best materials, the DOME PT is virtually maintenance free.



RUSTPROOF &  
WEATHERPROOF

The DOME PT is made out of high quality material such as Aluminium and Stainless steel, making it suitable for outdoor use.



PATENTED  
DESIGN

The unique patented design makes the DOME PT an absolute eyecatcher, exuding luxury, elegance and exclusivity.



LOW ENERGY USAGE  
ZERO CO2 EMISSION

With an energy consumption of only 3.22 kW/h, the DOME PT uses less energy than similar products delivering optimal heating.



#### Headquarters

Prins Boudewijnlaan 7 Unit A 08  
2550 Kontich  
Belgium  
+ 32 3 502 99 88

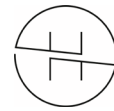
#### North American office

10440 N Central Expressway  
Suite 800, Dallas, Texas 75231  
United States  
+ 1 (214) 808 5091

W: [www.heatsail.com](http://www.heatsail.com)

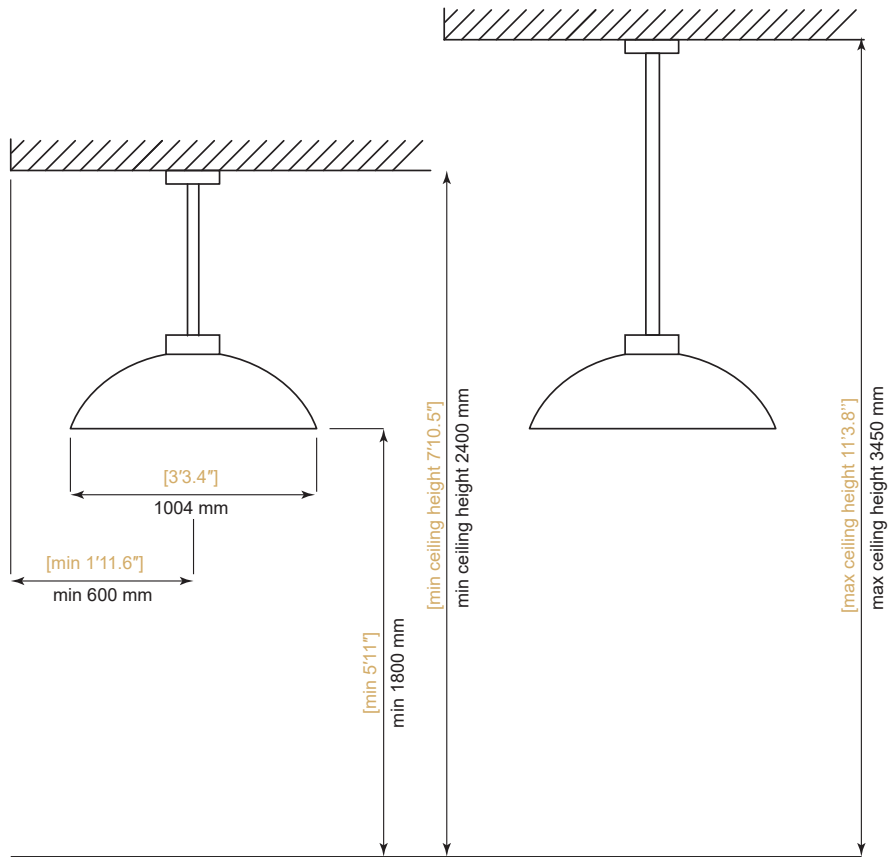
E: [sales@heatsail.com](mailto:sales@heatsail.com)





## DOME® PT by HEATSAIL

### DIMENSIONS



### SPECIFICATIONS

Model	DOME PT
Heat output (W)	3100 W
Light Output (W)	120 W
Electrical connection	230V AC - 50 Hz 14 A
Dimensions (W)	1004 mm
Mounting height requirement to ground	min 1800 mm; max 1950 mm
Ceiling height	min 2420 mm; max 3770 mm
Weight	approx. 24 kg
Approvals	CE, IEC 60335-2-30, CAN/CSA-C22.2 No. 60335-1:16, CAN/CSA-E60335-2-30:13, UL 60335-1



**Headquarters**  
Prins Boudewijnlaan 7 Unit A 08  
2550 Kontich  
Belgium  
+ 32 3 502 99 88

**North American office**  
10440 N Central Expressway  
Suite 800, Dallas, Texas 75231  
United States  
+ 1 (214) 808 5091

**W:** [www.heatsail.com](http://www.heatsail.com)  
**E:** [sales@heatsail.com](mailto:sales@heatsail.com)

## DOME® PT by HEATSAIL

### ELECTRICAL SAFETY REQUIREMENTS

The use of the DOME PT requires an electrical installation with reliable safety grounding.

The installation's electrical safety can only be guaranteed if the device has been correctly connected to an earthing system built in accordance with the safety instructions. A preliminary inspection is absolutely essential. In the event of any uncertainty, a careful inspection must be made by a qualified and authorised technician. Heatsail will not be held responsible for injury and/or damage resulting from an ungrounded installation.

**The installation of the DOME's PT electrical components requires a mains connection of 230V AC-50 Hz (16Amp fuse EN 30 mA RCD): the connection must be properly implemented in accordance with the applicable IEC-CEI standards. Please note: statutory and other regulation may apply locally.**

The electrical power supply will need to be interrupted before connecting and/or other work on the electrical components can be carried out. Everyone must satisfy themselves that the power can't be switched on again accidentally.

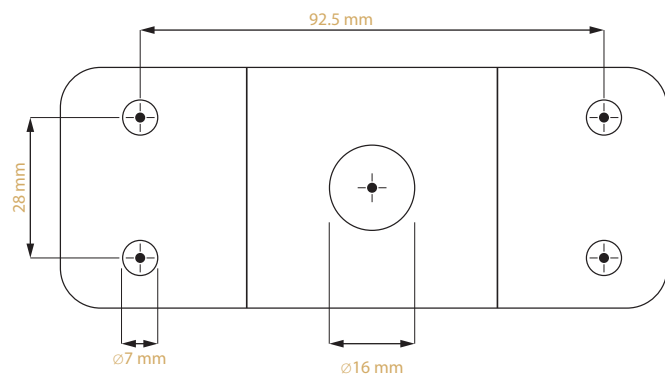
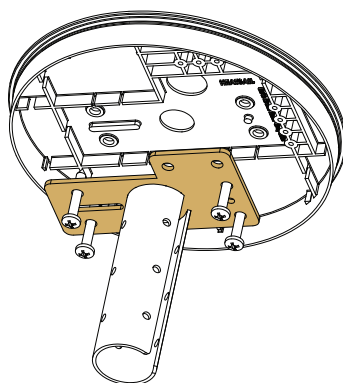
The use of adapters, power strips and extension leads may not be used for the DOME's PT electrical supply. A switch must be installed between the DOME PT and the fuse box at all times.

Non-compliance with these instructions may compromise the safety of the device. Heatsail will not be held liable for any damage resulting from this.

NOTE: The DOME PT will be delivered with a supply cord bold wall plug.

### CONSTRUCTING OVERVIEW

The DOME PT is mounted on the ceiling by means of a stainless steel bracket. This bracket should be hung by using the correct plugs and screws according to the mounting surface. The diameter of the ceiling rose is 200mm.



**Headquarters**  
Prins Boudewijnlaan 7 Unit A 08  
2550 Kontich  
Belgium  
+ 32 3 502 99 88

**North American office**  
10440 N Central Expressway  
Suite 800, Dallas, Texas 75231  
United States  
+ 1 (214) 808 5091

**W:** [www.heatsail.com](http://www.heatsail.com)  
**E:** [sales@heatsail.com](mailto:sales@heatsail.com)

## DOME® PT by HEATSAIL

### ELECTRICAL OVERVIEW

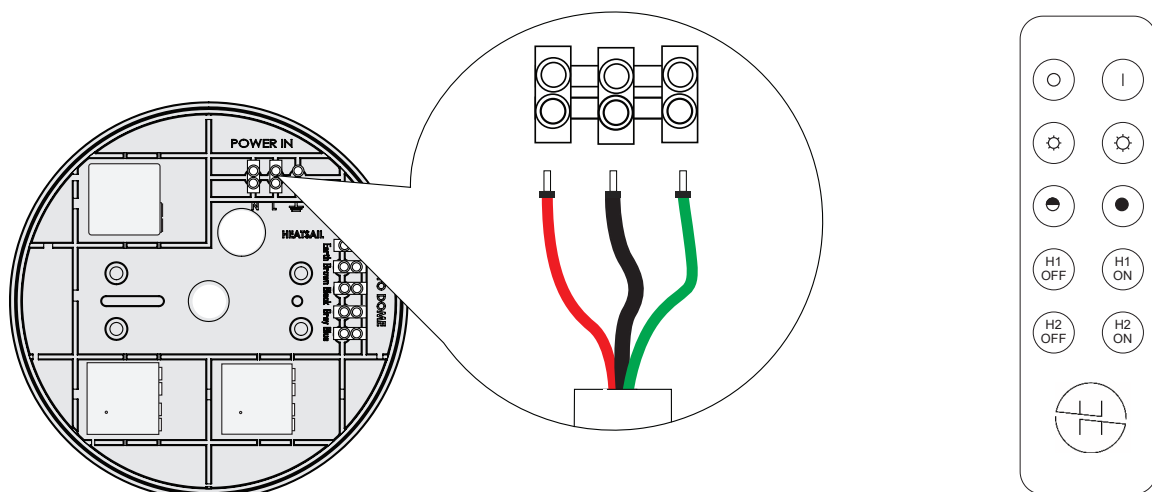
The DOME PT consists of a central heater element with a light, the hood of the 'DOME' which serves as protection and reflection of the far infrared rays. The central element is called 'heattube'. On the lower part you will find a 'heater block' with 5 rectangular and 1 round heater element. Above the heater element there is a halogen light, separated from the heater elements. The light consists of an R7S 78 mm halogen bulb, at 230V AC, behind a heat resistant glass. The glass can be lifted upwards to change the halogen bulb. A LED lamp couldn't be integrated as LED lights can not withstand these high temperatures.

There are three electrical circuits in the DOME PT. These circuits have a total of 14 Amps at 230V AC.

- Circuit 1: Heating circuit 1 consists of four rectangular heater elements and has a total heat output of 1500 W at 230V AC
- Circuit 2: Heating circuit 2 consists of the lower round heating element and two opposite rectangular heater elements and has a total power of 1600 W at 230V AC
- Circuit 3: Lighting circuit consists of a R7S bulb of 120 W at 230V AC

#### • VERSION WITH REMOTE

The incoming power is divided over the 3 circuits through 3 electronic switches, mounted on a ceiling rose. The electronic switches are operated by a remote control. Always ensure that the power between the power mains and the DOME PT can be switched off by other means than the remote control, by use of a 2 pole switch.



#### Headquarters

Prins Boudewijnlaan 7 Unit A 08  
2550 Kontich  
Belgium  
+ 32 3 502 99 88

#### North American office

10440 N Central Expressway  
Suite 800, Dallas, Texas 75231  
United States  
+ 1 (214) 808 5091

**W:** [www.heatsail.com](http://www.heatsail.com)

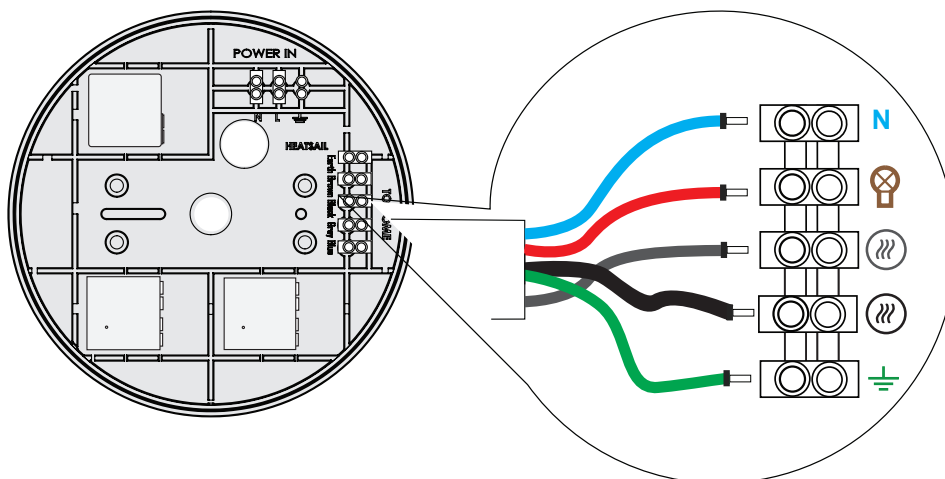
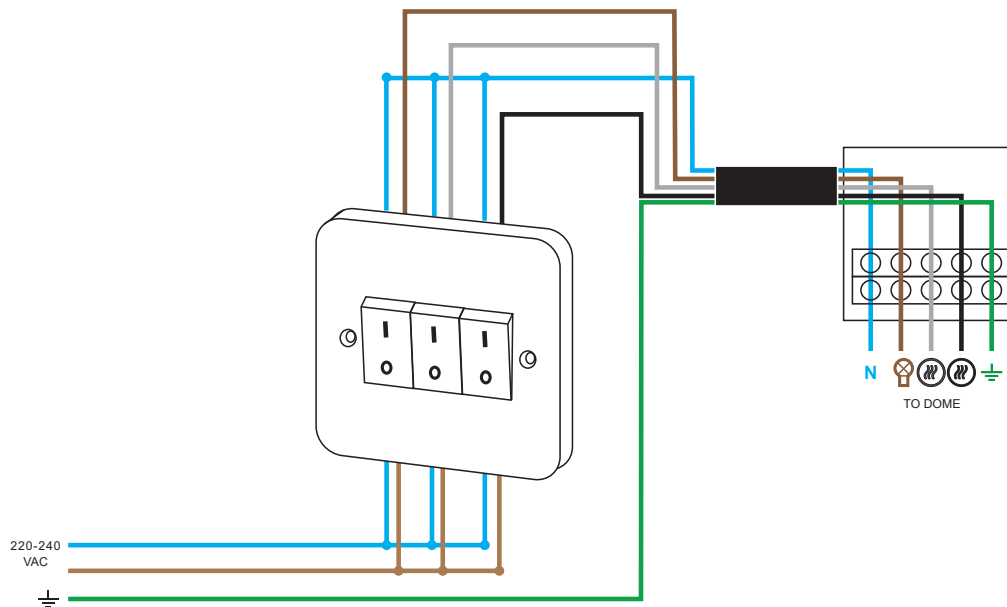
**E:** [sales@heatsail.com](mailto:sales@heatsail.com)



## DOME® PT by HEATSAIL

### • VERSION WITH WALL SWITCHES

The incoming power is divided over the 3 circuits through 3 wall switches installed by a qualified electrician. The output lines of the wall switches will consist of 5 lines in a size not less than 1.5 mm<sup>2</sup> / 16 AWG according to the following indicative drawing:



**Headquarters**  
Prins Boudewijnlaan 7 Unit A 08  
2550 Kontich  
Belgium  
+ 32 3 502 99 88

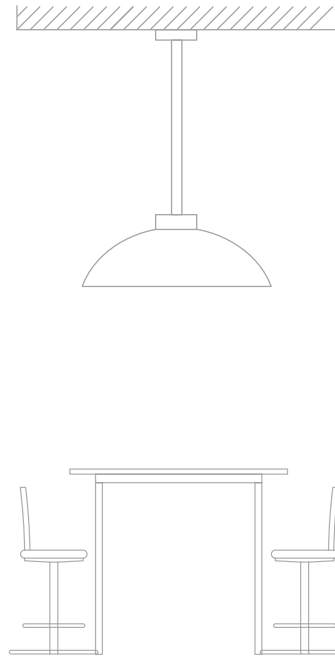
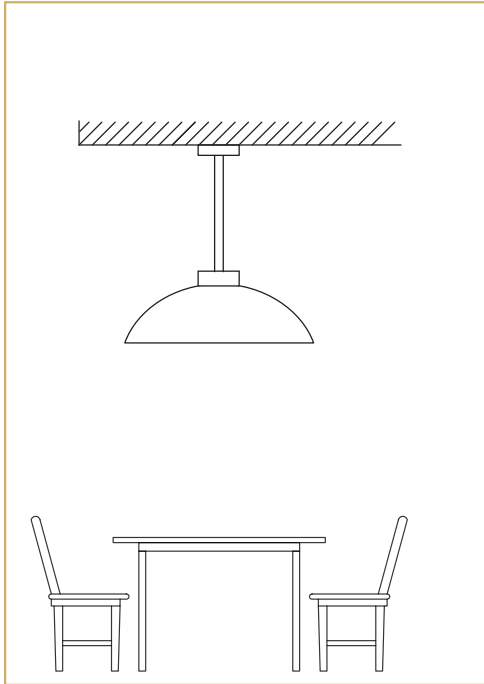
**North American office**  
10440 N Central Expressway  
Suite 800, Dallas, Texas 75231  
United States  
+ 1 (214) 808 5091

**W:** [www.heatsail.com](http://www.heatsail.com)  
**E:** [sales@heatsail.com](mailto:sales@heatsail.com)



## DOME® PT by HEATSAIL

### AVAILABLE LENGTHS: FOR REGULAR TABLES



LENGTH STEM		CEILING HEIGHT		EXTENSION PIECE
20	7,9"	242 - 248 cm	7'11,3" - 8'1,6"	
		248 - 256 cm	8'1,6" - 8'4,8"	Y
35	13,8"	256 - 262 cm	8'4,8" - 8'7,1"	
		262 - 270 cm	8'7,1" - 8'10,3"	Y
50	19,7"	270 - 278 cm	8'10,3" - 9'1,4"	
		278 - 286 cm	9'1,4" - 9'4,6"	Y
65	25,6"	286 - 294 cm	9'4,6" - 9'7,7"	
		294 - 300 cm	9'7,7" - 9'10,1"	Y
80	31,5"	300 - 308 cm	9'10,1" - 10'1,3"	
		308 - 316 cm	10'1,3" - 10'4,4"	Y
95	37,4"	316 - 322 cm	10'4,4" - 10'6,8"	
		322 - 330 cm	10'6,8" - 10'9,9"	Y
110	43,3"	330 - 340 cm	10'9,9" - 11'1,9"	
		340 - 346 cm	11'1,9" - 11'4,2"	Y
125	49,2"	346 - 352 cm	11'4,2" - 11'6,6"	
		352 - 362 cm	11'6,6" - 11'10,5"	Y



**Headquarters**  
Prins Boudewijnlaan 7 Unit A 08  
2550 Kontich  
Belgium  
+ 32 3 502 99 88

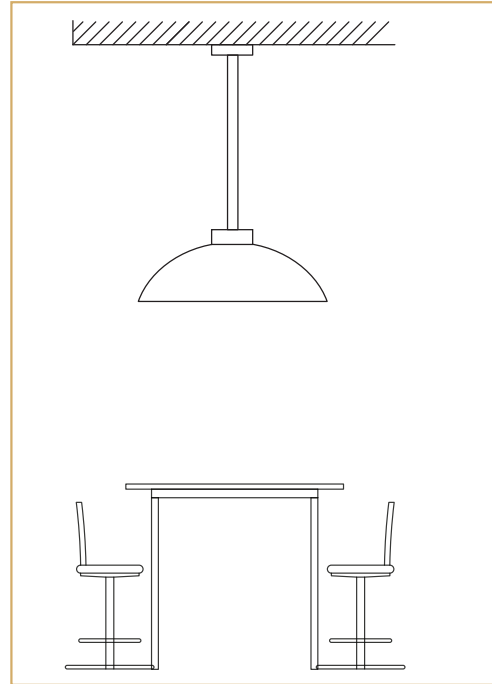
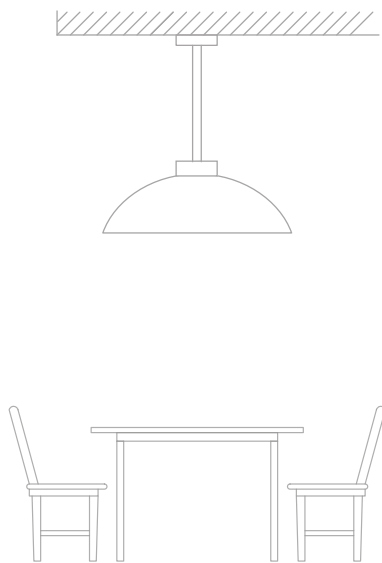
**North American office**  
10440 N Central Expressway  
Suite 800, Dallas, Texas 75231  
United States  
+ 1 (214) 808 5091

**W:** [www.heatsail.com](http://www.heatsail.com)  
**E:** [sales@heatsail.com](mailto:sales@heatsail.com)



## DOME® PT by HEATSAIL

### AVAILABLE LENGTHS: FOR HIGH TABLES



LENGTH STEM		CEILING HEIGHT		EXTENSION PIECE
20	7,9"	258 - 262 cm	8'5,6" - 8'7,1"	
		262 - 270 cm	8'7,1" - 8'10,3"	Y
35	13,8"	270 - 280 cm	8'10,3" - 9'2,2"	
		280 - 286 cm	9'2,2" - 9'4,6"	Y
50	19,7"	286 - 292 cm	9'4,6" - 9'7"	
		292 - 300 cm	9'7" - 9'10,1"	Y
65	25,6"	300 - 308 cm	9'10,1" - 10'1,3"	
		308 - 316 cm	10'1,3" - 10'4,4"	Y
80	31,5"	316 - 324 cm	10'4,4" - 10'7,6"	
		324 - 332 cm	10'7,6" - 10'10,7"	Y
95	37,4"	332 - 338 cm	10'10,7" - 11'1,1"	
		338 - 346 cm	11'1,1" - 11'4,2"	Y
110	43,3"	346 - 354 cm	11'4,2" - 11'7,4"	
		354 - 360 cm	11'7,4" - 11'9,7"	Y
125	49,2"	360 - 362 cm	11'9,7" - 11'10,5"	
		362 - 376 cm	11'10,5" - 12'4"	Y



**Headquarters**  
Prins Boudewijnlaan 7 Unit A 08  
2550 Kontich  
Belgium  
+ 32 3 502 99 88

**North American office**  
10440 N Central Expressway  
Suite 800, Dallas, Texas 75231  
United States  
+ 1 (214) 808 5091

**W:** [www.heatsail.com](http://www.heatsail.com)  
**E:** [sales@heatsail.com](mailto:sales@heatsail.com)