

MEDISTEEL

Single roll toilet tissue dispenser / Recessed



AIE310C
Bright finish



AIE310CS
Satin finish

General Description

- Recessed mounted toilet tissue dispenser with hood, bright or satin finished, made in stainless steel AISI 304.
- The stainless steel AISI 304 construction protects the product against rust and ensures quality and longevity.
- Chrome-plated plastic spindle holds rolls up to 130mm diameter.
- Model suitable for the hotel sector and for collectivities.

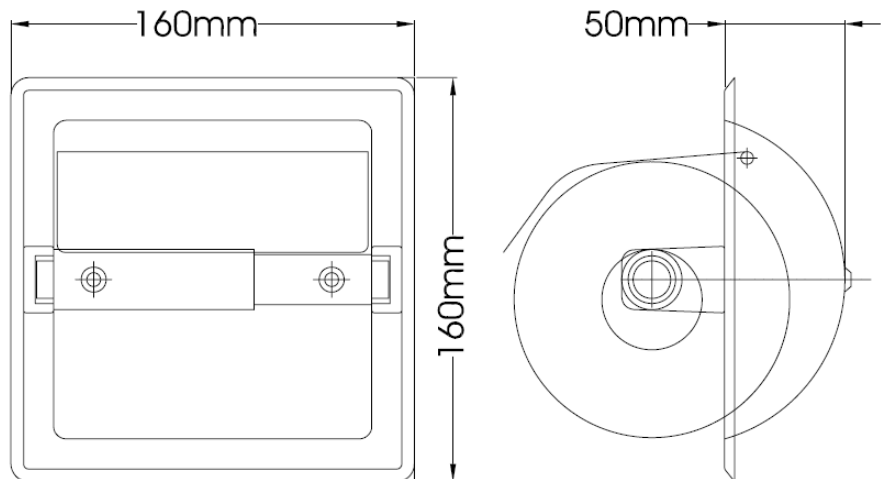
Components & materials

- **AIE310C:** AISI 304 stainless steel, bright finish.
- **AIE310CS:** AISI 304 stainless steel, satin finish.
- **HOUSING:** made in stainless steel AISI 304, 0.8 mm thick. Drawn, one-piece, seamless construction.
- **HOOD:** made in stainless steel AISI 304, 0.8 mm thick.
- **SPINDLE:** made in chrome-plated plastic equipped with an inner heavy-duty spring.
- Screws and plugs for installation to the wall are provided.

Technical Specifications

General dimensions	160 x 160 x 120 mm
Housing and hood thickness	0.8 mm
Toilet paper roll	Max. Ø130 mm

Dimensions



Dimensions: ±4%

MOUNTING

Verify all rough-in dimensions prior to installation. Requires rough wall opening aprox. 140mm W x 140 mm H x 50 mm D. Mount unit inside the wall opening with stainless steel screws. Mounting distance shall be aprox. 760 mm from the ground to the top of the unit.