



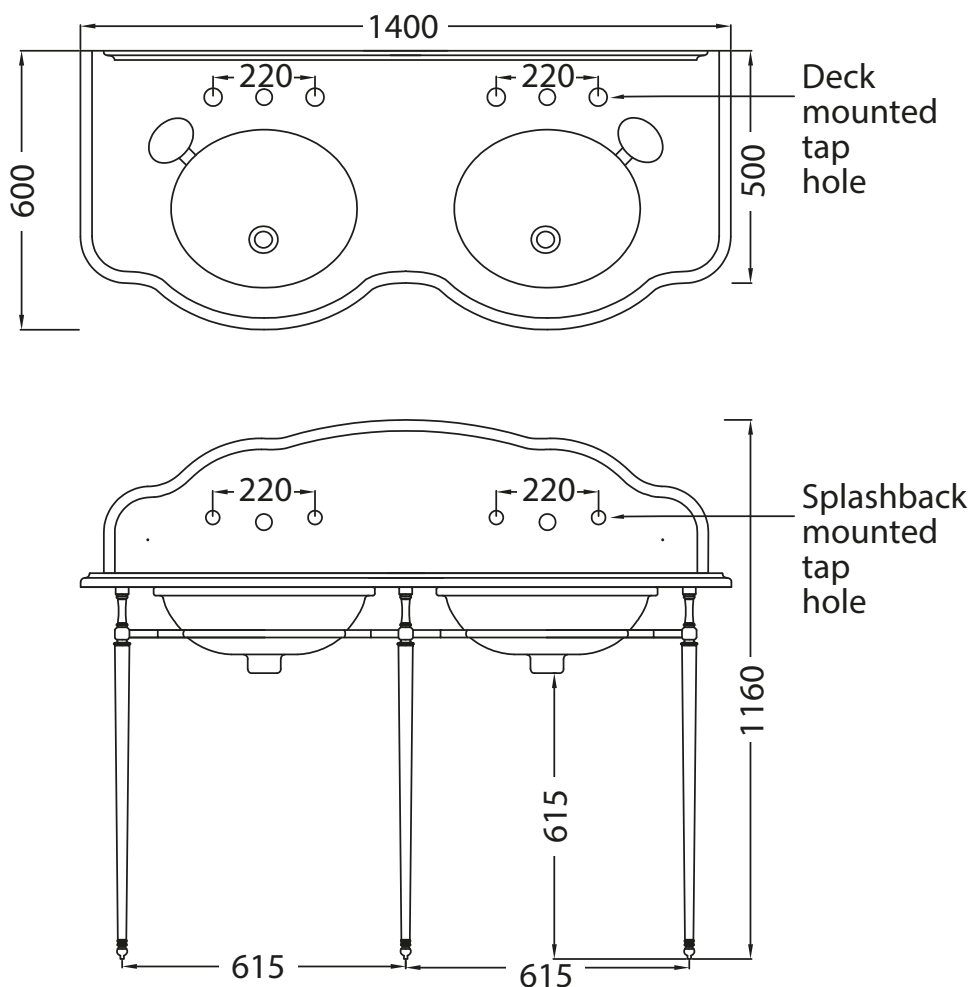
# Catchpole & Rye

Saracens Dairy,  
Pluckley,  
Kent. U.K.  
TN27 0SA.  
TEL: +44 (0)1233 840840  
EMAIL: info@catchpoleandrye.com

Product Range:  
Basins and Washstands

Product Name:  
La Parisienne  
Double Marble Washstand

## DIMENSIONAL DATA SHEET DATE: AUGUST 2018



NOTES:  
DIMENSIONS IN MILLIMETRES.  
WHILST EVERY EFFORT IS MADE TO ENSURE THE ACCURACY OF THESE DATA SHEETS THEY ARE SUBJECT TO CHANGE WITHOUT NOTICE AS PART OF THE COMPANY'S PRODUCT DEVELOPMENT PROCESS.