

Gravity

Product Fact Sheet



ex.t

info@ex-t.com / ex-t.com

Gravity - oval



Design By
Samuel Wilkinson

Code
EXSPGRAVITYNE
EXSPGRAVITYBI

Category
Mirrors

Module Dimensions
80 x 4.8 x h 50 cm

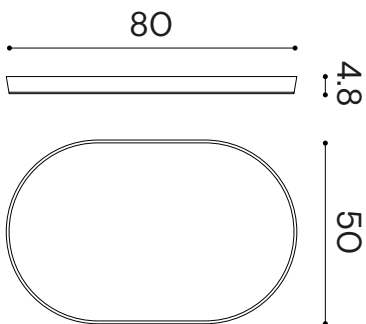
Materials
Matt varnished metal

Colours

- Black - RAL 9004
- White - RAL 9016

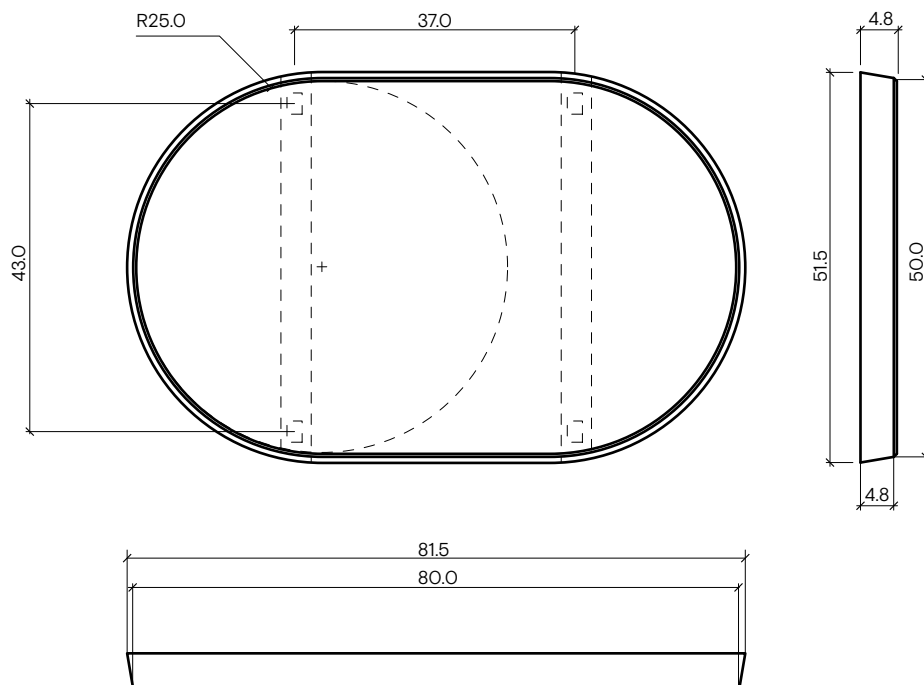
Weight
Product 9.5 kg
Packaging - kg

Packaging Dimensions
-

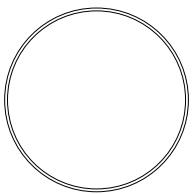
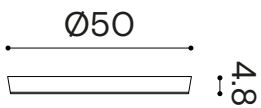


Gravity - oval

Scale 1:10



Gravity - round



Design By
Samuel Wilkinson

Code
EXSPGRAVITYTONDNE
EXSPGRAVITYTONDBI

Category
Mirrors

Module Dimensions
Ø50 x h 4.8 cm

Materials
Matt varnished metal

Colours

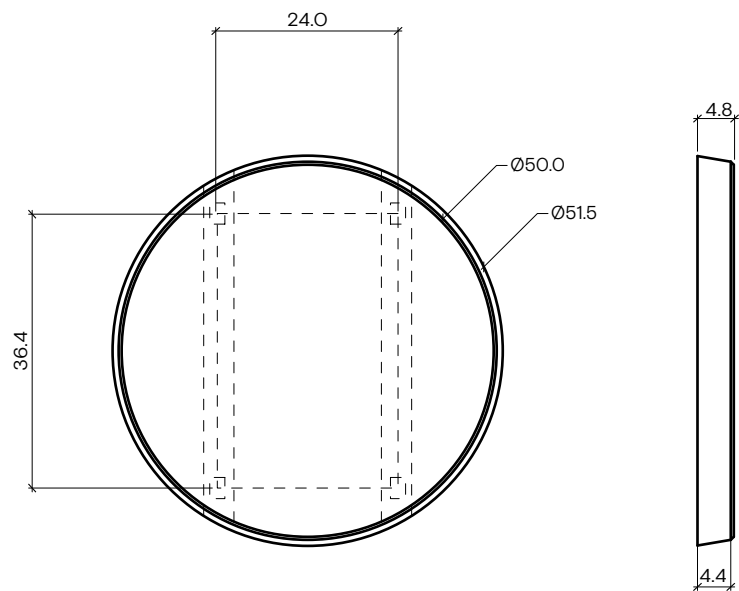
- Black - RAL 9004
- White - RAL 9016

Weight
Product 5.5 kg
Packaging - kg

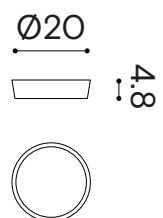
Packaging Dimensions
-

Gravity - round

Scale 1:10



Gravity



Design By

Samuel Wilkinson

Code

EXSPINGRAVITYNE

EXSPINGRAVITYBI

Category

Mirrors

Module Dimensions

Ø20 x h 4.8 cm

Materials

Matt varnished metal

Colours

● Black - RAL 9004

● White - RAL 9016

Weight

Product 1 kg

Packaging - kg

Packaging Dimensions

-

Gravity

Scale 1:20

