

MEDISTEEL

Surface mounted spare toilet roll holder



AI0968C
Bright finish



AI0968CS
Satin finish

General Description

- Surface mounted spare toilet roll holder, made of stainless steel AISI 304 with concealed fixings.
- The stainless steel AISI 304 construction protects the product against rust and ensures quality and longevity.
- The slim and elegant shape creates a perfectly understated way to organize the bathroom life.
- Model suitable for the hotel sector, elderly centers, homes and for collectivities.

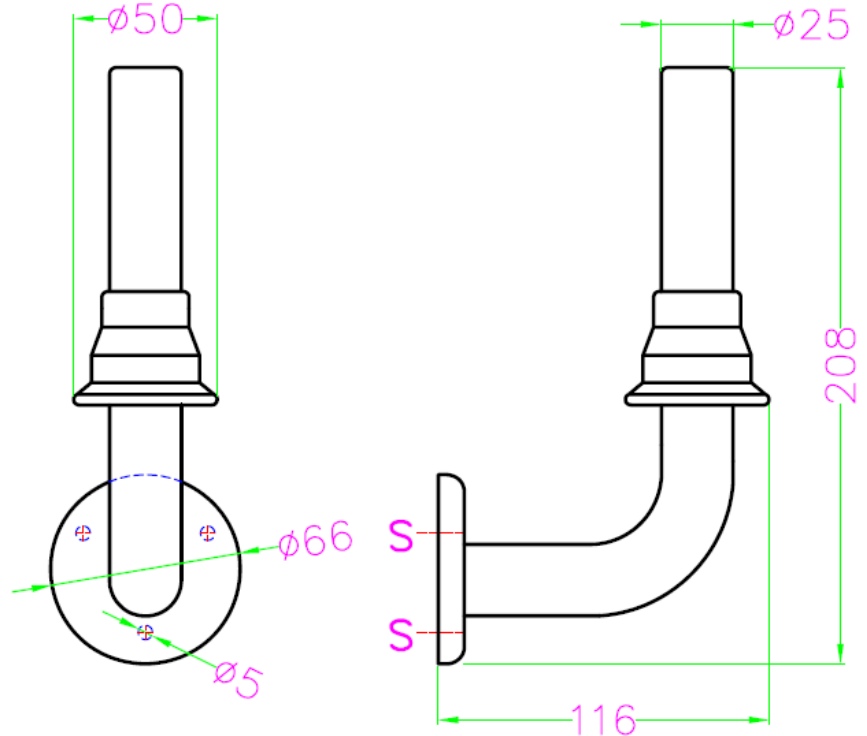
Components & materials

- **AI0968C:** AISI 304 stainless steel, bright finish.
- **AI0968CS:** AISI 304 stainless steel, satin finish.
- **FLANGE:** made of stainless steel AISI 304, \varnothing 66 mm.
- **SPINDLE:** made of stainless steel AISI 304, 1.2 mm thickness and \varnothing 25 mm.
- **MOUNTING BRACKET:** made of stainless steel AISI 304, with three holes \varnothing 5 mm for wall-mounting and soldered to the spindle.
- **SHELF PLATE:** made of chromed plastic, \varnothing 50 mm.
- Screws and plugs for installation to the wall are provided.

Technical Specifications

General dimensions	$\varnothing 50 \times 116 \times 208$ mm
Spindle thickness	1.2 mm
Spindle diameter	$\varnothing 25$ mm
Flange diameter	$\varnothing 66$ mm

Dimensions



Dimensions: $\pm 4\%$

MOUNTING

Secure with stainless steel screws at points indicated by an S (see upper figure).