

PROGRAMMA ACCESSORI
ACCESSORIES PROGRAM
PROGRAMME DU ACCESSOIRES
ZUBEHÖR PROGRAMM
PROGRAMA ACESORIOS
ЛИНИЯ АКССЕСУАРОВ
ΠΡΟΓΡΑΜΜΑ ΕΞΑΡΤΗΜΑΤΩΝ
浴室产品配件

ACCESSORI EMPORIO

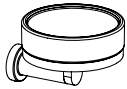
GESSI 

Gessi SpA - Parco Gessi

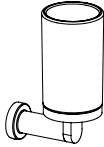
13037 Serravalle Sesia (Vercelli) - Italy

Phone +39 0163 454111 - Facsimile +39 0163 459273

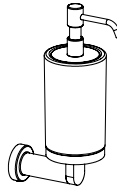
www.gessi.com - gessi@gessi.it



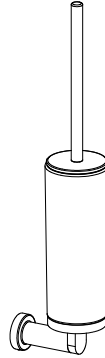
Art. 38801
Art. 38802
Art. 38803



Art. 38807
Art. 38808
Art. 38809



Art. 38813
Art. 38814
Art. 38815



Art. 38819
Art. 38820
Art. 38821

Fig. 1

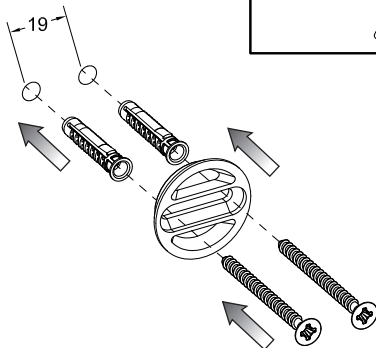


Fig. 2

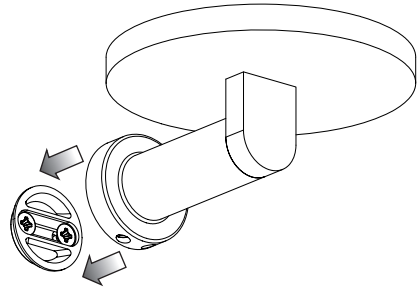


Fig. 3

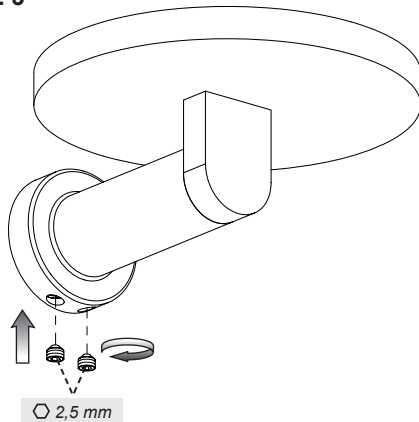
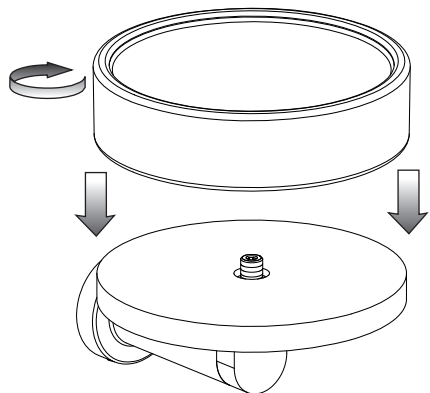
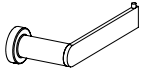
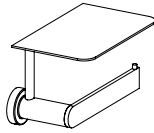


Fig. 4

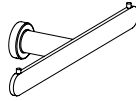




Art. 38849



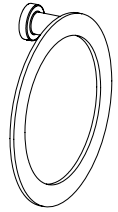
Art. 38855



Art. 38915



Art. 38921



Art. 38909

Fig. 1

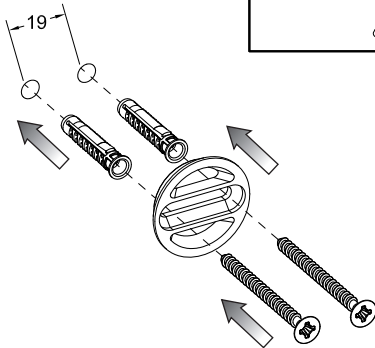


Fig. 2

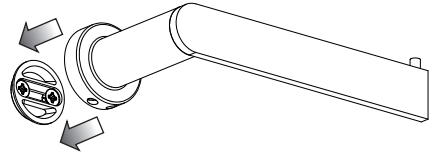
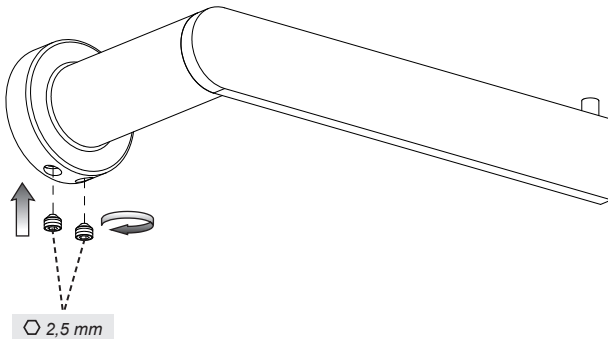


Fig. 3



INSTALLATION - TYPE A

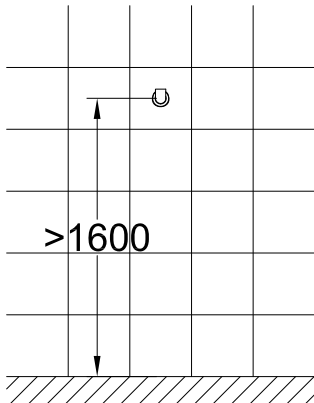
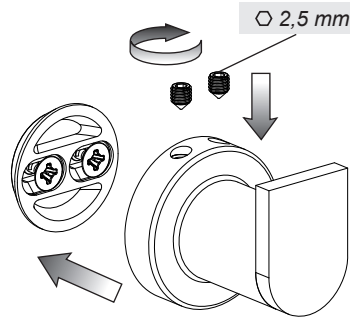


Fig. 1



INSTALLATION - TYPE B

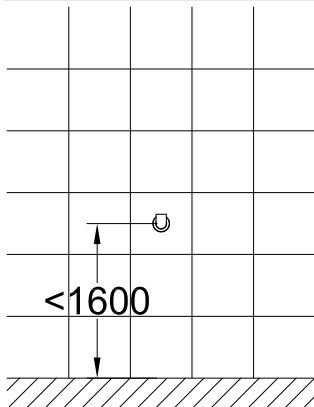


Fig. 1

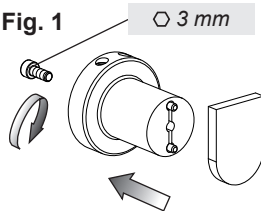


Fig. 2

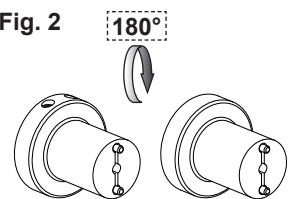


Fig. 3

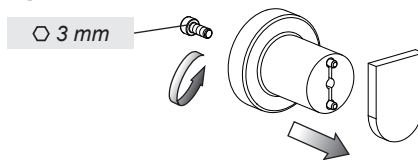
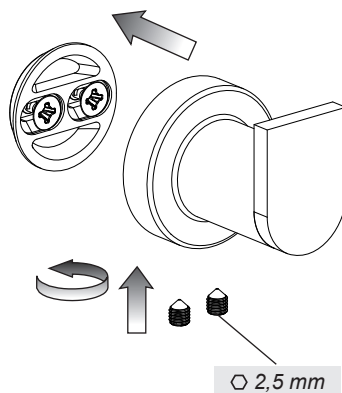
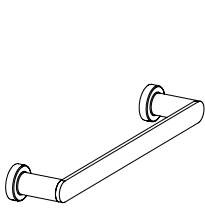
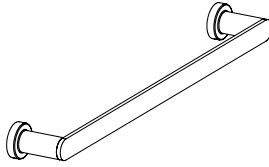


Fig. 4

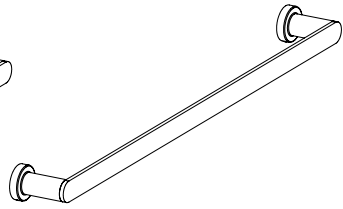




Art. 38897



Art. 38900



Art. 38903

Fig. 1

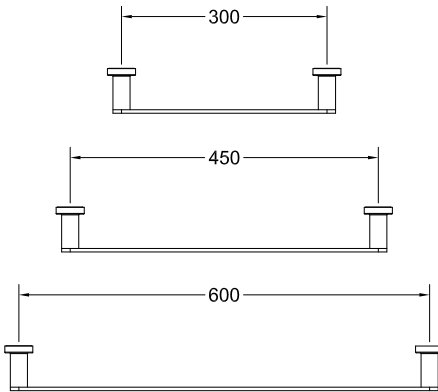


Fig. 2

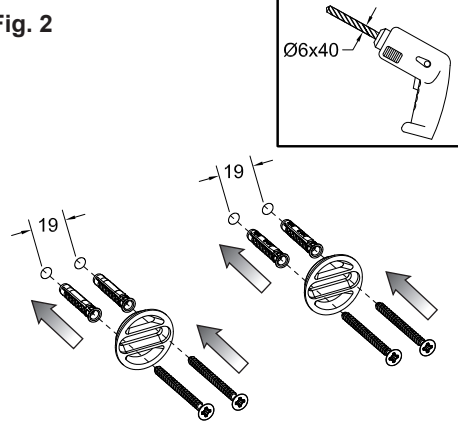


Fig. 3

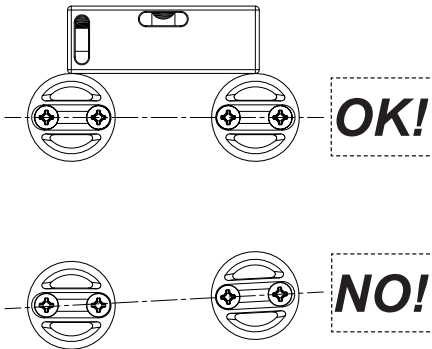
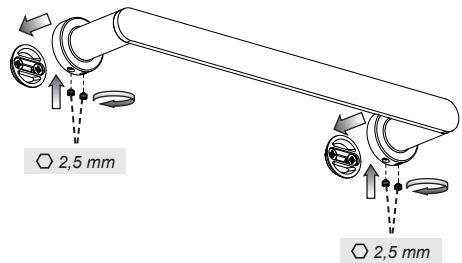
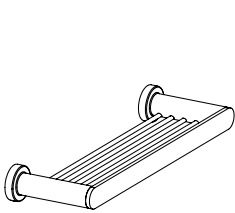
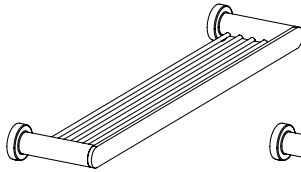


Fig. 4

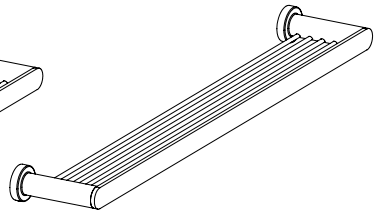




Art. 38945



Art. 38947



Art. 38949

Fig. 1

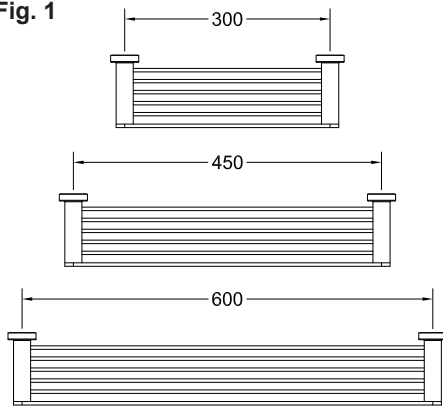


Fig. 2

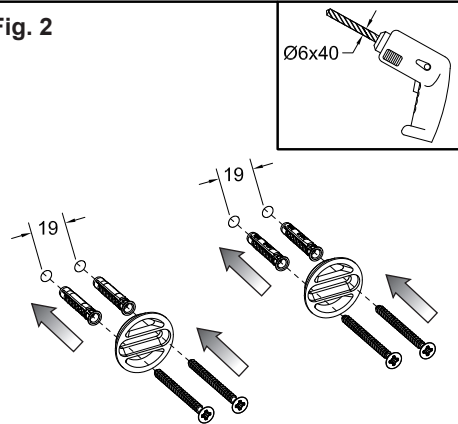


Fig. 3

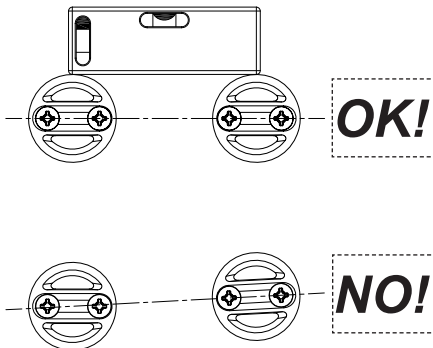
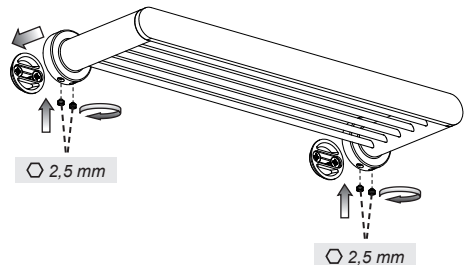


Fig. 4



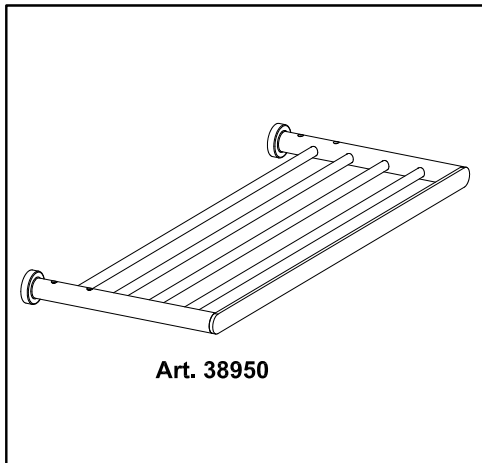


Fig. 1

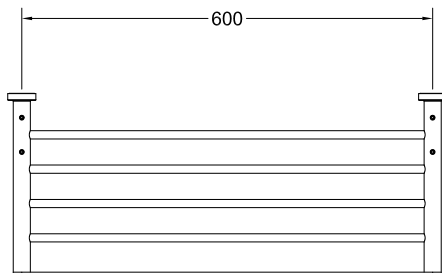


Fig. 2

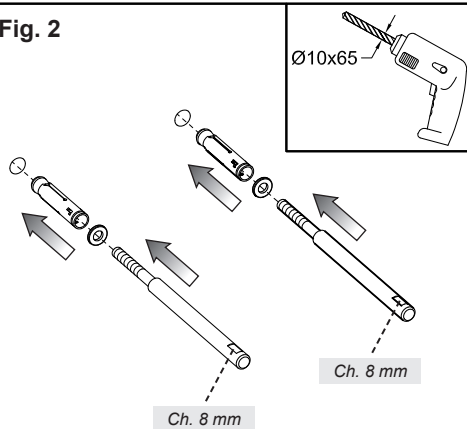


Fig. 3

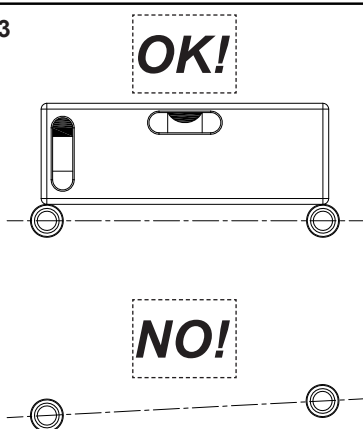


Fig. 4

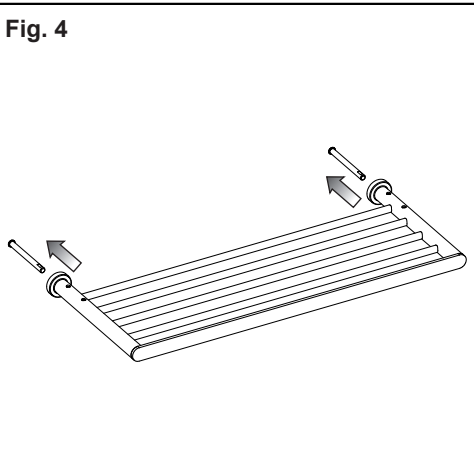
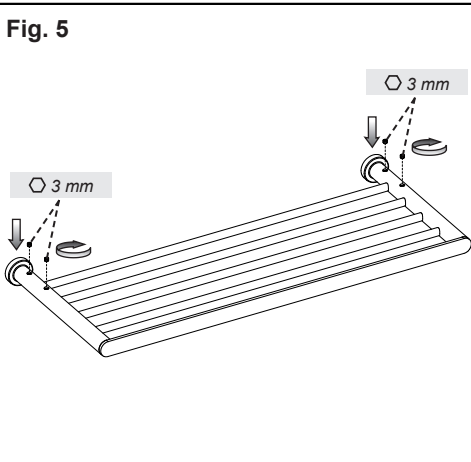
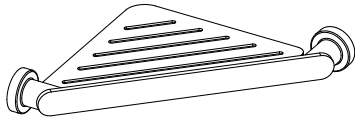


Fig. 5





Art. 38861

Fig. 1

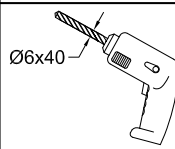
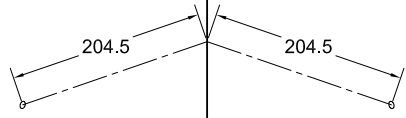


Fig. 2



Fig. 3

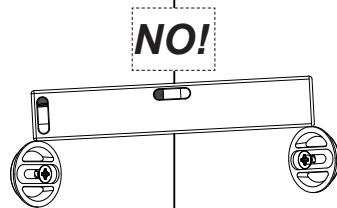
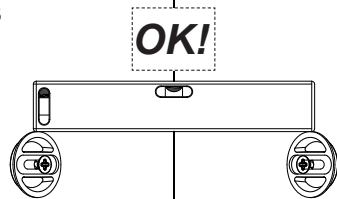


Fig. 4

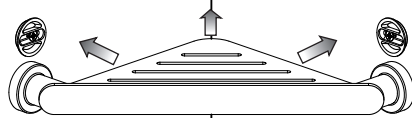


Fig. 5

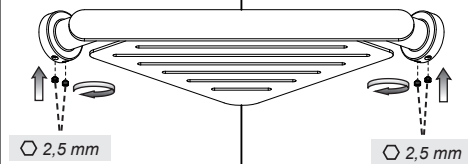


Fig. 1

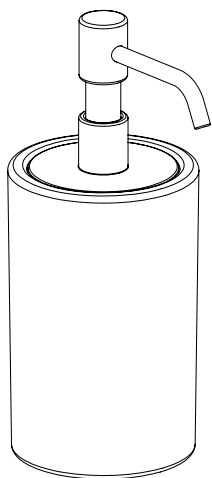


Fig. 2

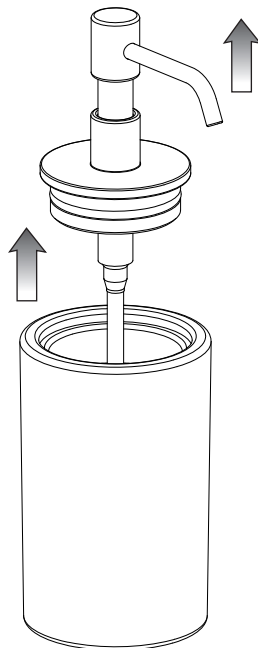


Fig. 3

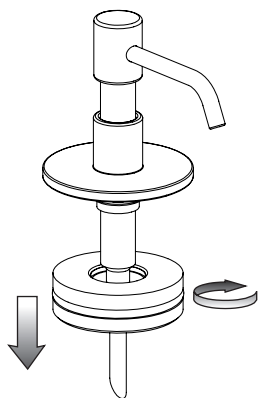
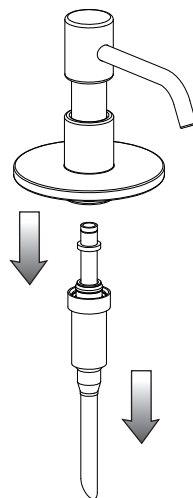


Fig. 4



A series of horizontal dotted lines for writing notes, spanning the width of the page.

