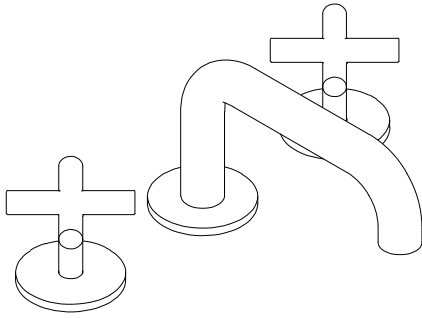
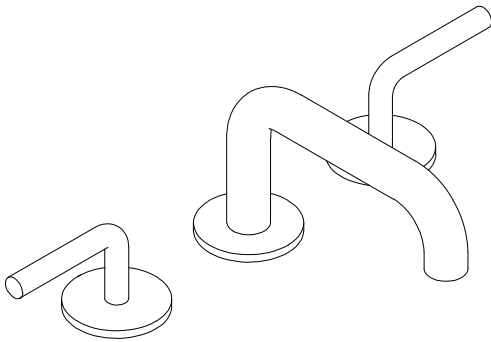


Metal Cross Handles
STYLE No. FLLS01



Metal Lever Handles
STYLE No. FLLS10



SPECIFICATIONS:

Drain Hole Diameter: 1 3/4"
 Drain Style: Push Touch (Drain Included)
 Handle Spread Maximum: 12"
 Handle Spread Minimum: 8"
 Inlet Connection Size: 1/2"
 Inlet Connection Type: Male with supply nut
 Maximum Deck Thickness: 2 1/2"
 Minimum Deck Thickness: 3/8"
 Maximum Water Pressure: 80psi
 Minimum Water Pressure: 20psi
 Fittings Hole Diameter: 1 3/8"
 Recommended Water Pressure: 45psi
 Restricted Maximum Flow Rate: 1.2gpm

IMPORTANT:

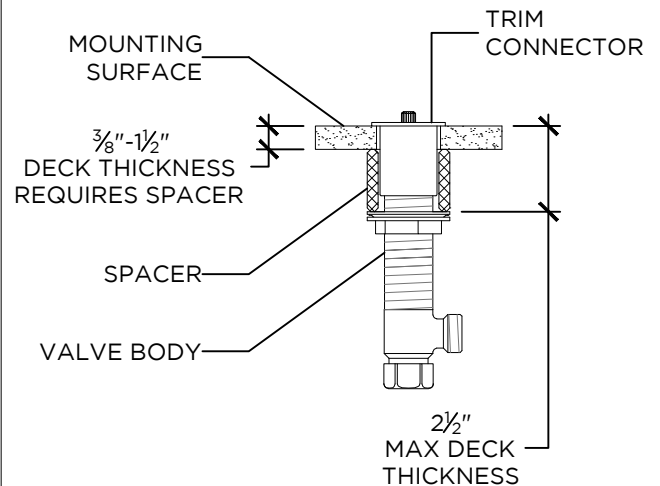
- To ensure this product is installed properly, you must read and follow these guidelines.
- The owner/user of this product must keep this information for future reference.
- Be sure your installation conforms to all federal, state, and local codes. In the State of Massachusetts, all installations must comply with the rules and regulations set forth within 248 CMR.

- This product must be installed by a professional licensed contractor.
- Refer to the specification and assembly drawings attached. Product is sold partially assembled but shown fully disassembled for illustrative and service purposes only.
- Inspect this product to ensure you have all the parts required for proper installation.
- Use only a strap wrench or protected/smooth-jaw wrench on any finished surface.
- DO NOT use putty on deck fittings. Upper and lower washers are provided.

HANDLE INSTALLATION:

- Refer to Figure - 01 for Steps 1-3.
1. Unthread the trim connector from the valve body (15). DO NOT remove the mounting hardware (10-13). The spacer (10) is required for installations that have a deck thickness between 3/8" and 1 1/2".
 2. Thread the nut (13) all the way down the valve body (15) then insert the valve into the hole on the mounting surface from below, then thread the trim connector (9) back onto the valve until it stops.
 3. Allow the trim connector (9) to rest on the mounting surface and tighten the nut (13) against the underside of the mounting surface to secure the valve body (15).

FIGURE - 01



These guidelines have been prepared for the professional contractor to aid in the installation of:
FLYTE LOW PROFILE THREE HOLE DECK MOUNTED LAVATORY FAUCET WITH METAL CROSS HANDLES (STYLE No. FLLS01) AND METAL LEVER HANDLES (STYLE No. FLLS10).
 All dimensions are based on origin specification and are subject to change and variation.
 Please consult your Design Associate for current specifications.

**WATERWORKS
STUDIO**

4. Place the handle assembly (1-8) over the cartridge stem (14) in the correct orientation then thread the escutcheon (4) into the trim connector (9) until fully seated. Make sure the washer (8) is underneath the escutcheon.

5. Repeat Steps 1-4 to install the second valve body and handle assembly.

SPOUT INSTALLATION:

6. Remove the mounting hardware (11, 21 & 22) from the spout (19) then insert the spout through the hole on the mounting surface. Make sure the escutcheon (20) and washer (8) are in place over the spout shank.

7. Re-attach the mounting hardware onto the spout and tighten the nut (22) against the underside of the mounting surface to secure the spout.

DRAIN INSTALLATION:

8. Remove the tailpiece (32) and mounting hardware (28-30) from the drain flange (27).

9. Set the drain flange (27) in the lavatory drain opening using putty or a clear adhesive silicone depending on the mounting surface material.*

10. Re-install the mounting hardware (29 & 30) onto the drain flange and tighten the nut (30) until fully secured. You can discard the upper drain gasket (28). Putty or a clear adhesive silicone may be used to ensure a water-tight seal between the lower drain gasket (29) and lavatory.*

11. Re-attach the tailpiece (32) to the drain flange using the nut (33). Make sure the gasket (31) is in place.

FINISH THE INSTALLATION:

12. Attach the supply hoses (23) to the spout shank, then attach the hoses to the valve body (15) outlets.

13. Connect the valve bodies to the water supply valves (NOT SUPPLIED).

INSPECT THE INSTALLATION:

14. Remove the aerator (18) using the tool (17) provided, then carefully open the hot and cold valves to flush out any debris in the supply lines.

15. Inspect all connections for leaks.

16. Close the drain and fill the sink to fill with water to make sure the drain stopper assembly (26-28) operates and seals properly.

17. Re-install the aerator.

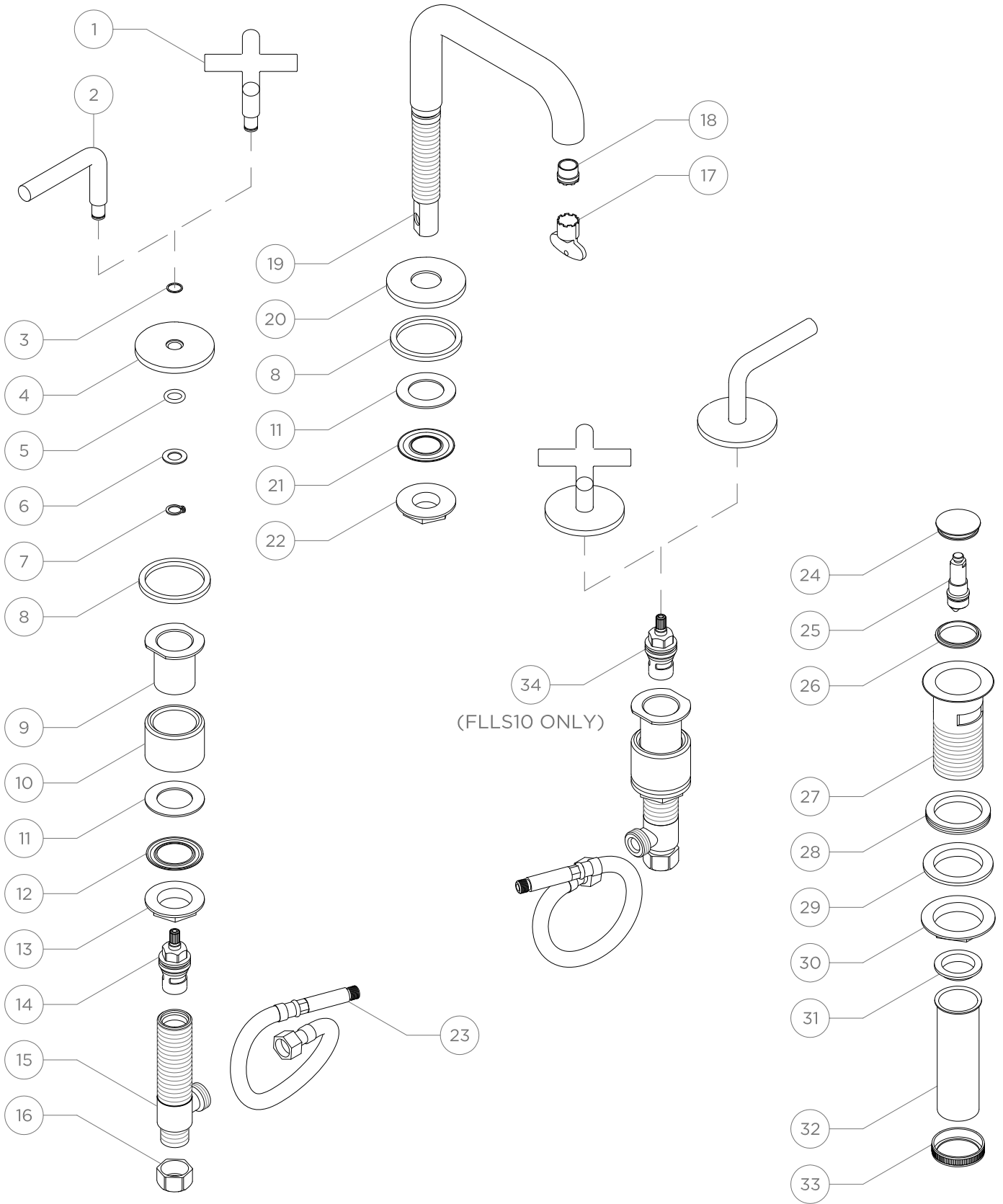
➤ If further assistance is required, contact Product Support at 1-800-927-2120 (8am-6pm EST).

* Putty contains oils and can cause permanent discoloration on certain materials such as marble, granite and any porous surface.

These guidelines have been prepared for the professional contractor to aid in the installation of:
FLYTE LOW PROFILE THREE HOLE DECK MOUNTED LAVATORY FAUCET WITH METAL CROSS HANDLES (STYLE No. FLLS01) AND METAL LEVER HANDLES (STYLE No. FLLS10).

All dimensions are based on origin specification and are subject to change and variation.
 Please consult your Design Associate for current specifications.

**WATERWORKS
STUDIO**



These guidelines have been prepared for the professional contractor to aid in the installation of:
FLYTE LOW PROFILE THREE HOLE DECK MOUNTED LAVATORY FAUCET WITH METAL CROSS HANDLES (STYLE No. FLLS01) AND METAL LEVER HANDLES (STYLE No. FLLS10).
 All dimensions are based on origin specification and are subject to change and variation.
 Please consult your Design Associate for current specifications.

**WATERWORKS
STUDIO**

	ITEM NO.	DESCRIPTION	QTY.
FLLS01 (Cross Handle)	1	Cross Handle, Metal, Flyte	2
	14	Cartridge, Shut-off Valve, CW Close	2
FLLS10 (Lever Handle)	2	Lever Handle, Metal, Flyte	2
	14	Cartridge, Shut-off Valve, CW Close	1
	34	Cartridge, Shut-off Valve, CCW Close	1
COMMON PARTS	3	Washer, 10mm ID x 12mm OD x 0.6mm Thickness, Plastic	2
	4	Escutcheon, Flyte	2
	5	O-Ring, 10.7mm ID x 2.7mm Width, Rubber	2
	6	Washer, 10.5mm ID x 18.5mm OD x 1mm Thickness, Metal	2
	7	Retaining Clip, 10mm ID x 1mm Thickness, Metal	2
	8	Washer, 45mm ID x 54mm OD x 4mm Thickness, Rubber	3
	9	Trim Connector	2
	10	Spacer	2
	11	Washer, 27mm ID x 45mm OD x 1.5mm Thickness, Rubber	3
	12	Washer, 27mm ID x 43mm OD x 1.5mm Thickness, Metal	2
	13	Nut, Flange, 32mm Hex, Metal	2
	15	Valve Body	2
	16	Inlet Supply Nut, 24mm Hex, Metal	2
	17	Aerator Tool	1
	18	Aerator, 1.5gpm	1
	19	Spout, Low Profile, Flyte	1
	20	Escutcheon, Flyte	1
	21	Washer, 22mm ID x 43mm OD x 1.5mm Thickness, Metal	1
	22	Nut, Flange, 32mm Hex, Metal	1
	23	Flexible Supply Hose, 300mm Length	2
	24	Drain Stopper, USA Style, Push-Touch	1
	25	Plunger Assembly, Drain Stopper	1
	26	Drain Stopper Seal, Rubber	1
	27	Drain Flange, USA Style	1
	28	Upper Drain Gasket, Rubber	1
	29	Lower Drain Gasket, Rubber	1
	30	Nut, Flange, 40.5mm Hex, Metal	1
	31	Tailpiece Gasket	1
	32	Tailpiece, 1-1/4", Metal	1
	33	Tailpiece Nut	1

These guidelines have been prepared for the professional contractor to aid in the installation of:
FLYTE LOW PROFILE THREE HOLE DECK MOUNTED LAVATORY FAUCET WITH METAL CROSS HANDLES (STYLE No. FLLS01) AND METAL LEVER HANDLES (STYLE No. FLLS10).
 All dimensions are based on origin specification and are subject to change and variation.
 Please consult your Design Associate for current specifications.

**WATERWORKS
STUDIO**