

Angled bar chromed brass
Código: AC0956C
General description

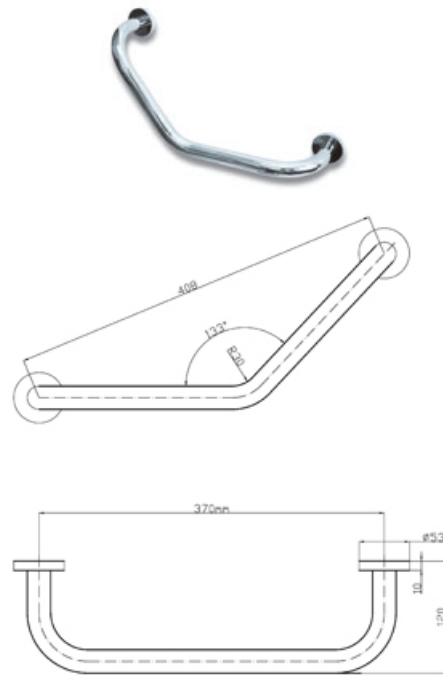
- Angled bar, chromed brass, for wall mounting.
- Suitable for the hotel sector, for fitting out the bathrooms in the hotel rooms.
- Model suitable for public use.
- With no removable components.

Components and Materials

- Chromed brass bar Ø 25 mm, 1 mm thick, with a protection thickness of 9,4 µm nickel + 0,40 µm chrome.
- Chromed brass snap flange cover, 2 units with a protection thickness of 9,4 µm nickel + 0,40 µm chrome.
- Press-formed mounting flanges, 2 units. Each flange incorporates 3 screws holes of Ø 5 mm for mounting on the wall.

Technical Specifications

Maximum dimensions - 220 x 455 x 120 mm Length between flanges centres - 370 mm Distance from the wall - 120 mm Height - 220 mm
--



Dim.: ±4%

Operation

No specific instructions for its use required.

Certificates & Qualifications

ISO 9001:2008.

Mediclinics, S.A., reserves the right to make changes and/or modifications to the products and their specifications without prior notice.

mediclinics S.A

