



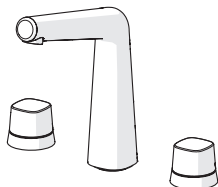
Oras Inspera

INSTALLATION AND MAINTENANCE GUIDE



Contents

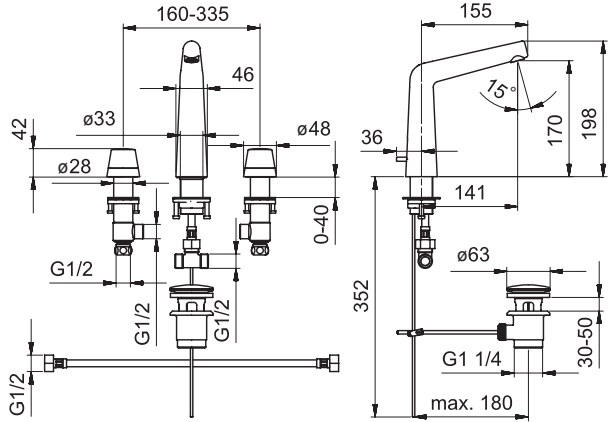
CZ Obsah	FI Sisällysluettelo	NL Inhoud	SE Innehållsförteckning
DE Inhaltsübersicht	FR Sommaire	NO Innhold	SK Obsah
DK Indholdsfortegnelse	IT Indice	PL Spis treści	UA Зміст
EE Sisukord	LT Turinys	RO Cuprins	
ES Contenidos	LV Saturs	RU Содержание	



Technical data.....	4
Installation	5-8
Operation.....	9
Maintenance	9
Spare parts.....	10

3055

EN 200
 I (ISO 3822)
 50 - 1000 kPa
 0.1 l/s (300 kPa) (with flow controller)
 100 kPa (0.1 l/s)
 max. +80°C



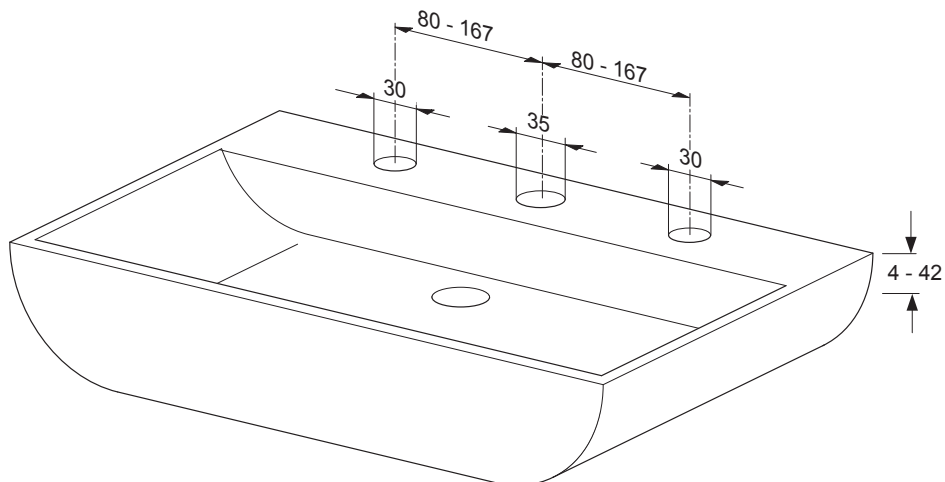
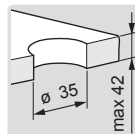
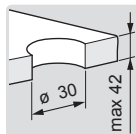
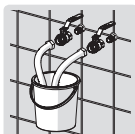
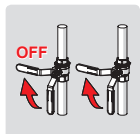
Installation

CZ Montáž
DE Montage
DK Installation
EE Paigaldus
ES Montaje

FI Asennus
FR Installation
IT Montaggio
LT Montavimas
LV Montāža

NL Installatie
NO Montering
PL Instalacja
RO Instalare
RU Установка

SE Installation
SK Inštalácia
UA Встановлення



1



Installation

CZ Montáž

DE Montage

DK Installation

EE Paigaldus

ES Montaje

FI Asennus

FR Installation

IT Montaggio

LT Montavimas

LV Montāža

NL Installatie

NO Montering

PL Instalacja

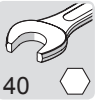
RO Instalare

RU Установка

SE Installation

SK Inštalácia

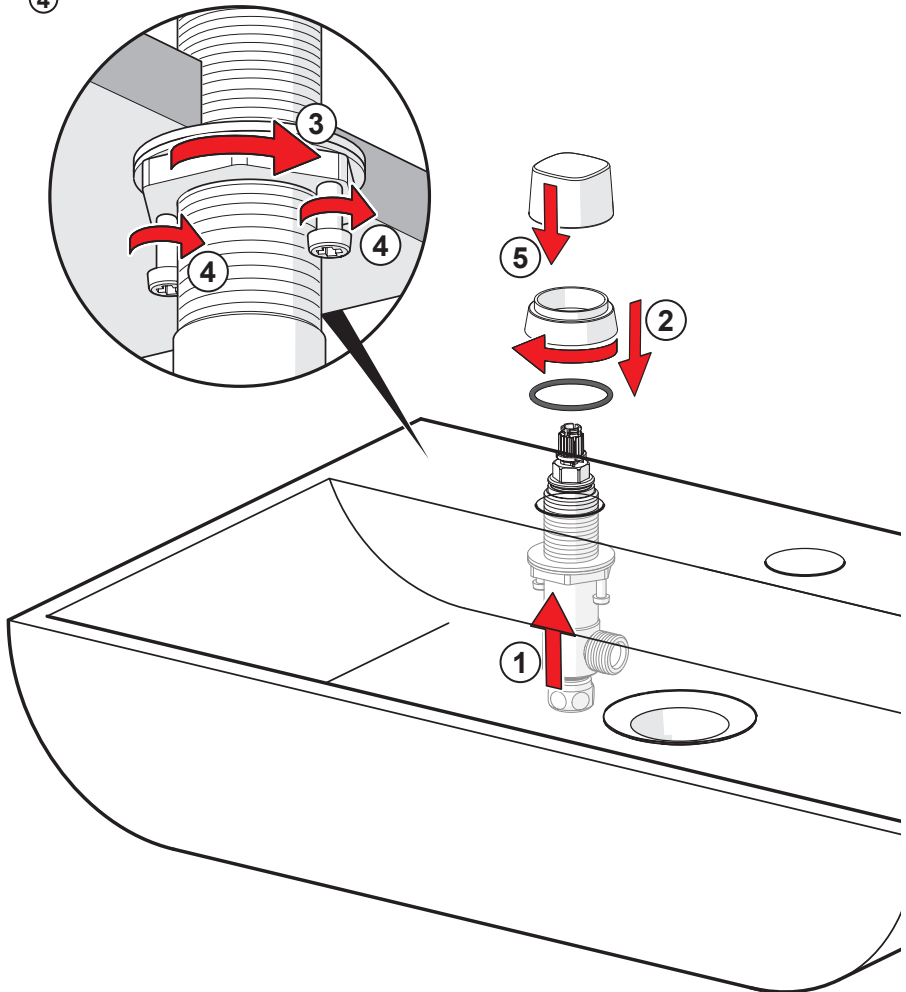
UA Встановлення



3

4

2



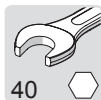
Installation

CZ Montáž
DE Montage
DK Installation
EE Paigaldus
ES Montaje

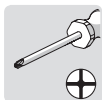
FI Asennus
FR Installation
IT Montaggio
LT Montavimas
LV Montāža

NL Installatie
NO Montering
PL Instalacja
RO Instalare
RU Установка

SE Installation
SK Inštalácia
UA Встановлення

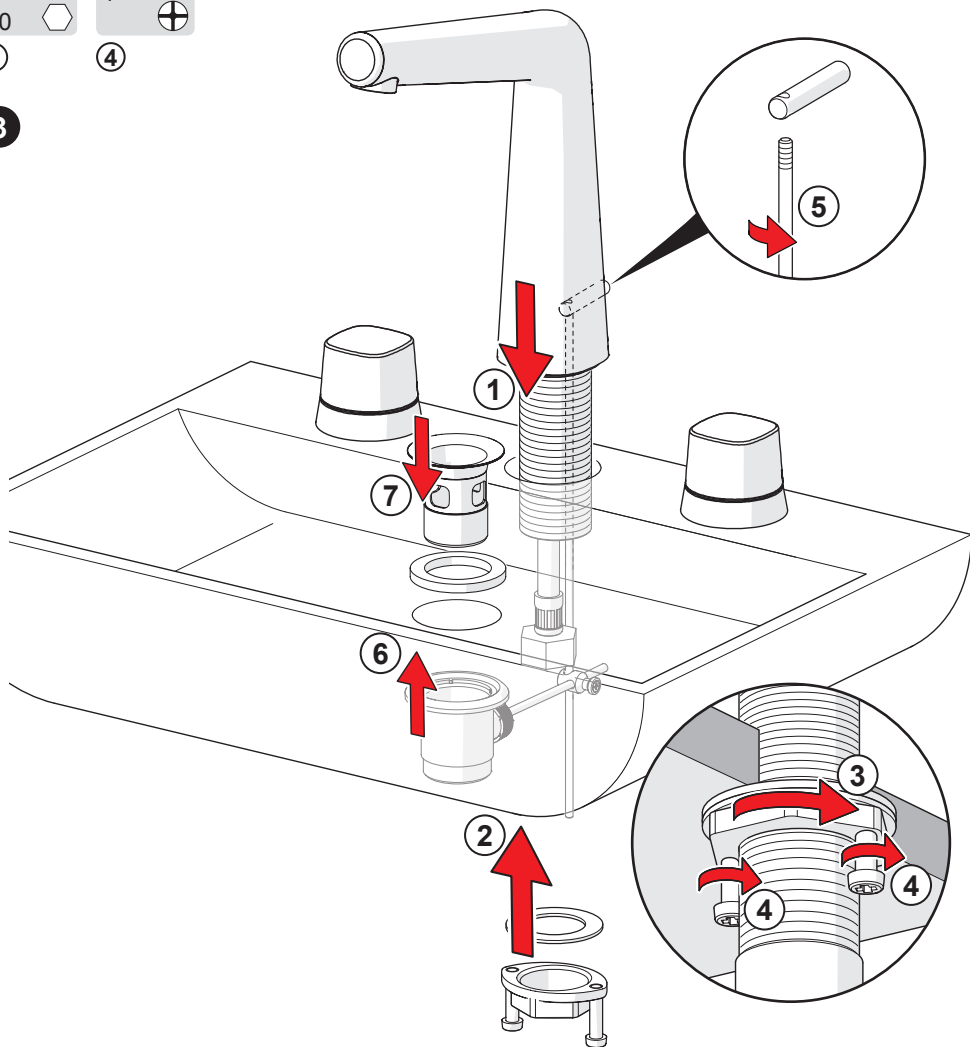


③



④

③



Installation

CZ Montáž
DE Montage
DK Installation
EE Paigaldus
ES Montaje

FI Asennus
FR Installation
IT Montaggio
LT Montavimas
LV Montāža

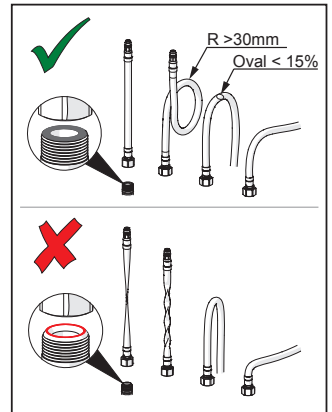
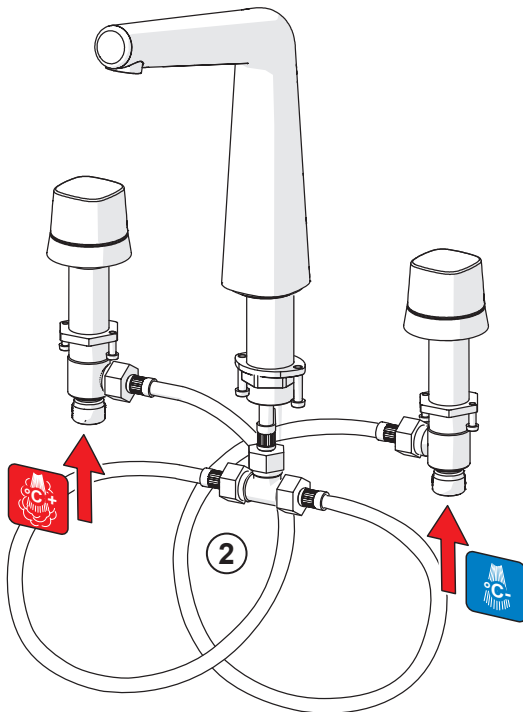
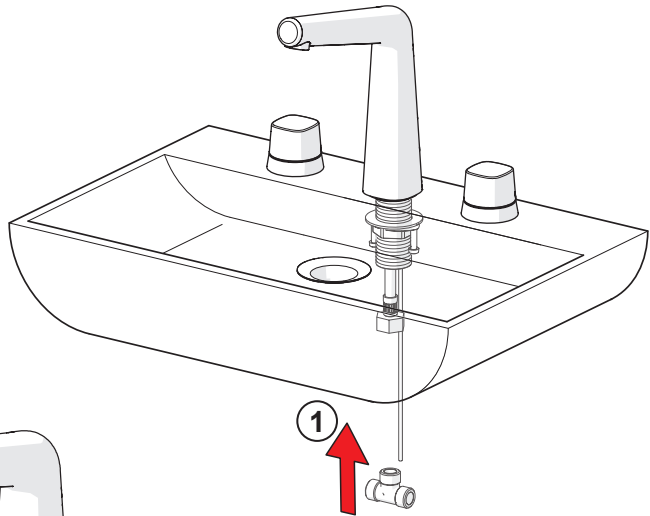
NL Installatie
NO Montering
PL Instalacja
RO Instalare
RU Установка

SE Installation
SK Inštalácia
UA Встановлення



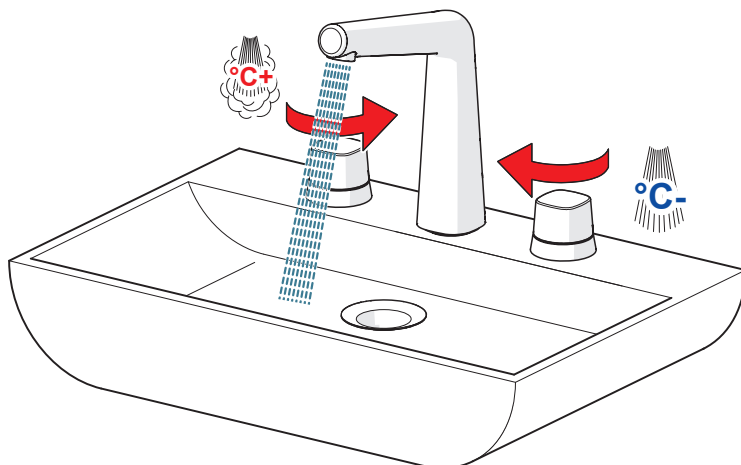
②

④



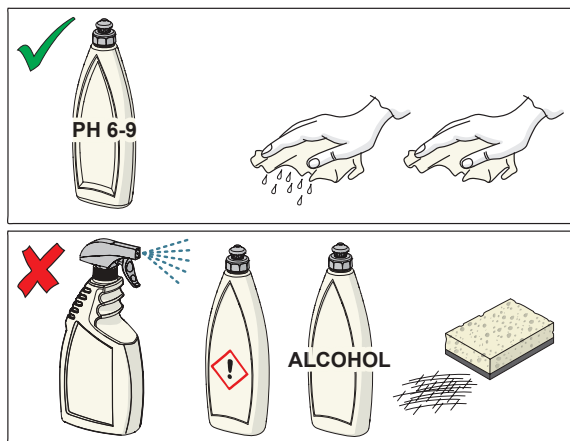
Operation

CZ Funkce	FI Toiminta	NL Bediening	SE Funktion
DE Funktion	FR Utilisation	NO Funksjon	SK Prevádzka
DK Betjening	IT Funzionamento	PL Działanie	UA Принцип дії
EE Toimimine	LT Veikimo principas	RO Funcționare	
ES Servicio	LV Darbības princips	RU Принцип действия	



Cleaning the faucet

CZ Čištění baterie	FR Nettoyage du robinet	PL Czyszczenie baterii
DE Reinigung der Armatur	IT Pulizia della rubinetteria	RO Curățire
DK Rengøring af armaturet	LT Maišytuvo valymas	RU Чистка смесителя
EE Puhastamine	LV Krāna tīrīšana	SE Rengöring av blandarna
ES Limpieza de la grifería	NL Reinigen van de kraan	SK Čistenie vodovodnej batérie
FI Puhdistus	NO Rengjøring av kranen	UA Чищення змішувача



Spare parts

CZ Náhradní díly

DE Ersatzteile

DK Reservedele

EE Varuosad

ES Piezas de recambio

FI Varaosat

FR Pièces détachées

IT Pezzi di ricambio

LT Atsarginės dalys

LV Rezerves daļas

NL Reserve-
onderdelen

NO Reservedeler

PL Części zamienne

RO Piese de schimb

RU Запасные части

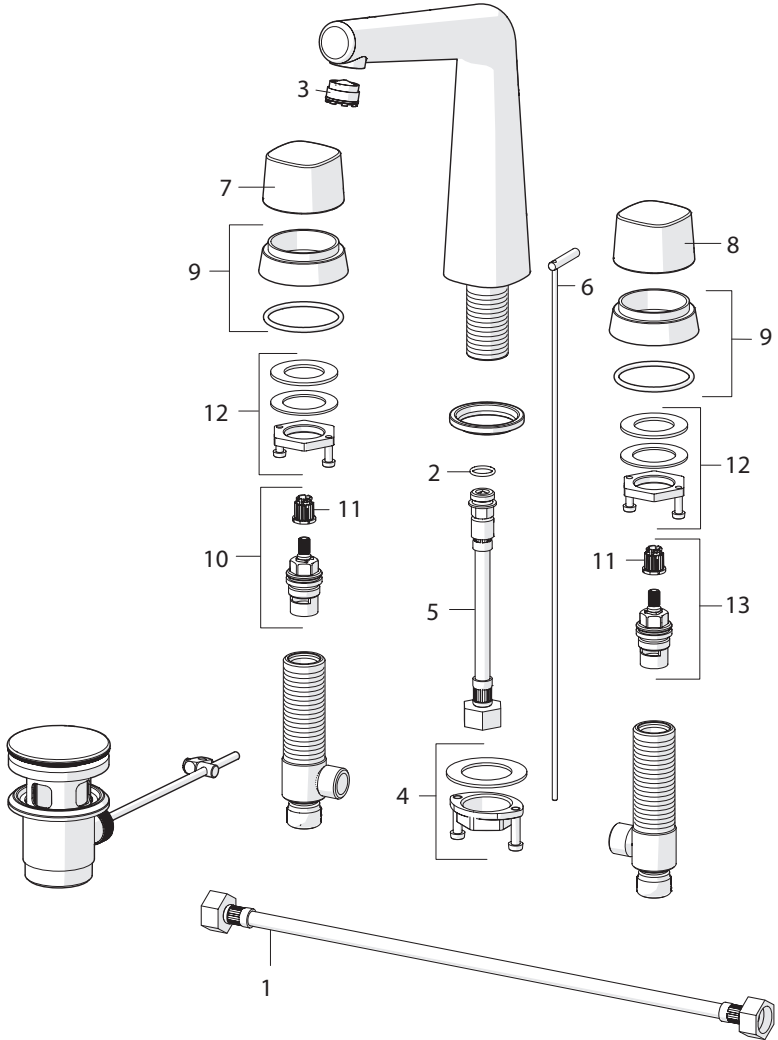
SE Reservdelar

SK Náhradné diely

UA Запасні частини

3055

- 1 1000155/2
- 2 602627/10
- 3 602671V
- 4 602629V
- 5 1000136V
- 6 602634V
- 7 1003072V
- 8 1003073V
- 9 1001939V
- 10 602631V
- 11 602632V
- 12 602626V
- 13 602633V



Oras Group is a powerful European provider of sanitary fittings: the market leader in the Nordics and a leading company in Continental Europe. The company's mission is to make the use of water easy and sustainable and its vision is to become the European leader of advanced sanitary fittings. Oras Group has two strong brands, Oras and Hansa.

The head office of the Group is located in Rauma, Finland, and the Group has four manufacturing sites: Burglengenfeld (Germany), Kralovice (Czech Republic), Olesno (Poland) and Rauma (Finland). Oras Group employs approximately 1400 people in twenty countries. Oras Group is owned by Oras Invest, a family company and an industrial owner.

ORAS GROUP

Isometsäntie 2, P.O. Box 40

FI-26101 Rauma

Tel. +358 2 83 161

Fax +358 2 831 6300

info.finland@oras.com

www.oras.com

