

## FLYTE

Flyte Touchless Lavatory Faucet

FLLST1



FILEDESCRIPTION

### TECHNICAL DETAILS

Deck Thickness Maximum: 2 1/16"  
Deck Thickness Minimum: 3/16"  
Fittings Hole Diameter: 1 3/8"  
Inlet Connection Size: 1/2"  
Inlet Connection Type: Straight Male Threads  
Inlet Supply Spread Maximum: 1 1/8"  
Inlet Supply Spread Minimum: 1 1/8"  
Number of Holes: One Hole  
Primary Material: Brass  
Restricted Maximum Flow Rate: 1.2 gpm  
Water Pressure Maximum: 85.0 psi  
Water Pressure Minimum: 20.0 psi  
Water Pressure Recommended: 45.0 psi

### INSPIRATION

Pure Modernism. Like minimalist works of art, the elegant proportions of these light, fluid elements bring sculptural reference to a room.

### PRODUCT FEATURES

The compact dual-temp mixing valve is installed under the sink, water temperature can be adjusted according to user preference

Dual-temp mixing valve, infrared sensor and battery pack housed in streamlined box for seamless installation

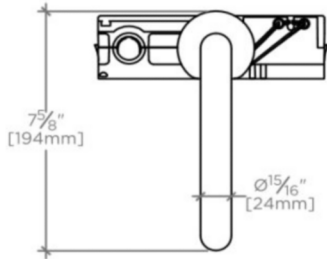
Infrared sensor integrated into the spout base, detection distance: 4-3/4" [120mm]. Background suppression technology ensures detection reliability

Flow is metered and shut-off after 8 seconds achieving a water usage rate of 0.16 gallons per cycle (gpc)

## FLYTE

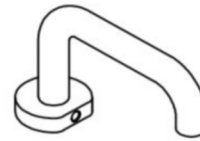
Flyte Touchless Lavatory Faucet

FLLST1



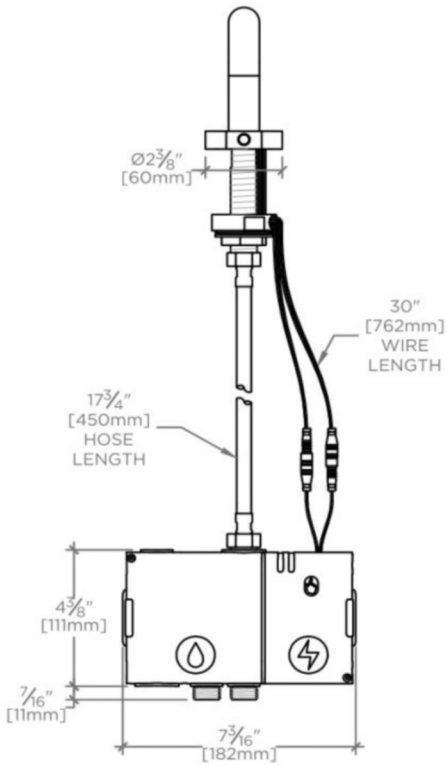
TOP VIEW

SCALE: 2"=1'-0"



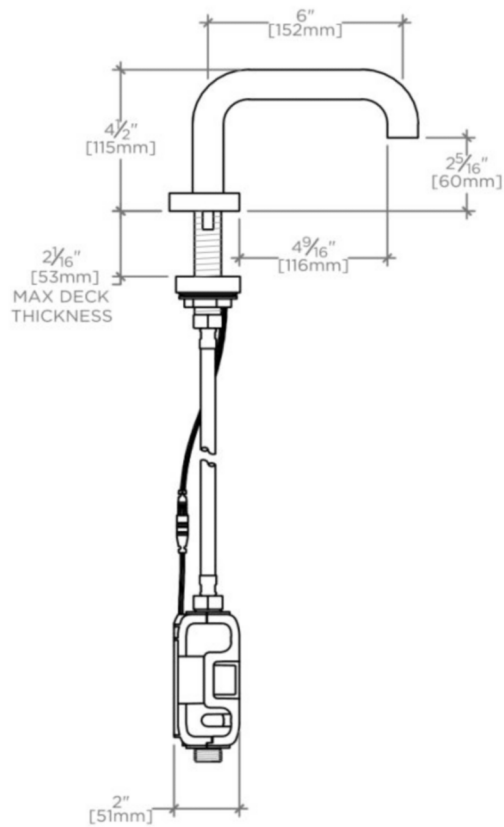
ISO VIEW

SCALE: 2"=1'-0"



FRONT VIEW

SCALE: 2"=1'-0"



SIDE VIEW

SCALE: 2"=1'-0"