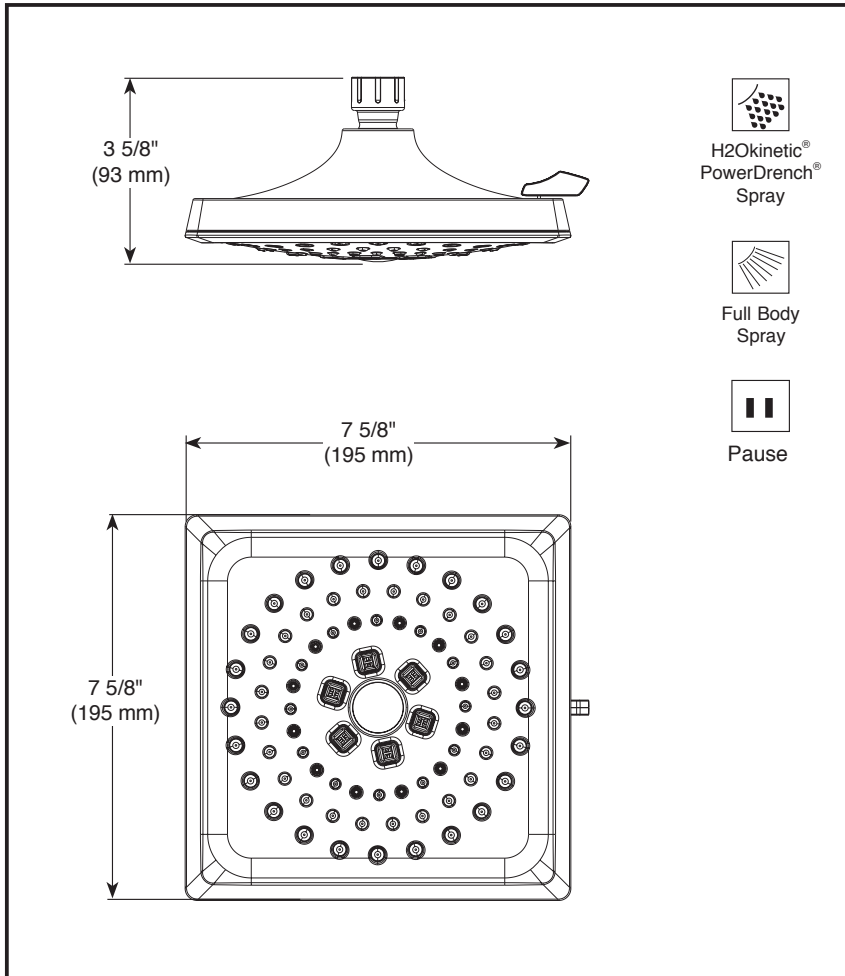


Submitted Model No.: _____

Specific Features: _____



▲ Designate proper finish suffix



see what Delta can do™

SHOWER HEAD

■ 3-Spray Setting Shower Head

FEATURES:

- Touch-Clean® Nozzles
- H2Okinetic Technology® Shower Head

STANDARD SPECIFICATIONS:

- 2.5 gpm @80 PSI, 9.5 L/min @ 550 kPa
- Shower head with three spray settings
- Change spray modes with easy turn dial, pause is a non-positive shut-off
- Ball connector swivel angle is 36° (18° per side)

WARRANTY

- Parts and Finish – Lifetime limited warranty; or for commercial purchasers, 10 years for multi-family residential (apartments and condominiums) and 5 years for all other commercial uses, in each case from the date of purchase.
- Electronic Parts and Batteries (if applicable) – 5 years from the date of purchase; or for commercial purchasers, 1 year from the date of purchase. No warranty is provided on batteries.

COMPLIES WITH

- ASME A112.18.1 / CSA B125.1

Delta reserves the right (1) to make changes in specifications and materials, and (2) to change or discontinue models, both without notice or obligation. Dimensions are for reference only. See current full-line price book or www.deltafaucet.com for finish options and product availability.

Delta Faucet Company

55 E. 111th Street, Indianapolis, Indiana 46280
 350 South Edgeware Road, St. Thomas, Ontario Canada N5P 4L1
 © 2019 Delta Faucet Company