

Soap basket grill format chromed brass
Código: AC0962C
General description

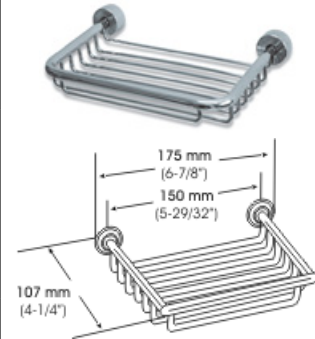
- Soap basket grill format, chromed brass, for wall mounting
- Suitable for the hotel sector, for fitting out the bathrooms in the hotel rooms.
- Model suitable for public use.
- With no removable components.
- It normally goes along with a chromed brass tower ring or rail.

Components and Materials

- Soap basket grill format with chromed brass rods of Ø 8 and 3 mm, with a protection thickness of 9,4 µm nickel + 0,40 µm chrome.
- To be mounted to the wall by means of 2 fixing points.
- Chromed brass snap flange cover, 2 units with a protection thickness of 9,4 µm nickel + 0,40 µm. They will be fixed to the soap basket by means of 2 keep pins.

Technical Specifications

Length between flanges centres - 150 mm
Distance from the wall - 107 mm
Total length - 175 mm



Dim.: ±4%

Operation

No specific instructions for its use required.

Certificates & Qualifications

ISO 9001:2008.

Mediclinics, S.A., reserves the right to make changes and/or modifications to the products and their specifications without prior notice.

mediclinics S.A

