



AC0966C
Bright finish

General Description

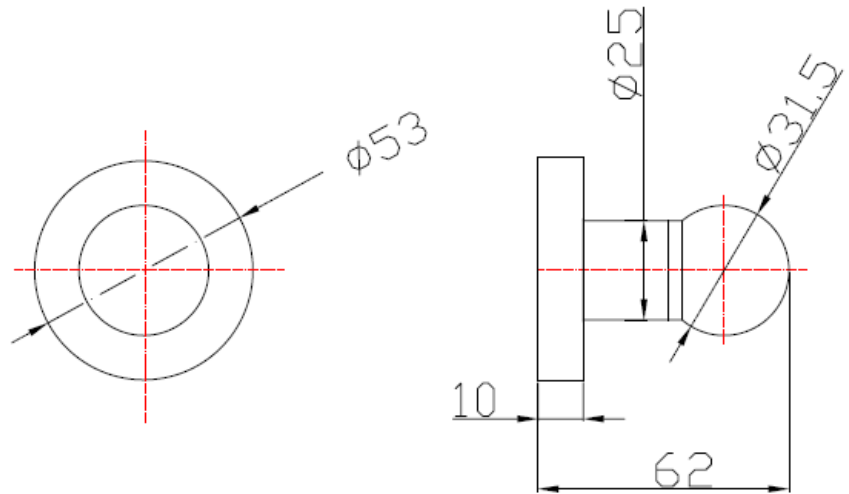
- Surface mounted single robe hook made of chrome-plated brass, 1 mm thick, bright finish with concealed mounting.
- The chrome-plated brass construction protects the product against rust and ensures quality and longevity.
- Model suitable for the hotel sector, elderly centers, homes and for collectivities.
- Screws for wall mounting supplied.

Components & materials

- **HOOK:** spherical \varnothing 31.5 mm, made of chrome-plated brass bright finish, 1 mm thick and a protective layer of nickel 9.4 μ m + chrome 0.40 μ m.
- **POST:** made of chrome-plated brass bright finish \varnothing 25 mm, 1 mm thick and a protective layer of nickel 9.4 μ m + chrome 0.40 μ m.
- **SNAP FLANGE COVER:** made of chrome-plated brass bright finish, \varnothing 53 mm. It has a concealed mounting bracket which incorporates 3 screws holes of \varnothing 5 mm for wall-mounting.

Technical Specifications

Chrome brass thickness	1 mm
Hook diameter	\varnothing 31.5 mm
Post diameter	\varnothing 25 mm
Snap flange cover diameter	\varnothing 53 mm

Dimensions


Dimensions: \pm 4%

MOUNTING

With three supplied screws through the 3 screw holes of \varnothing 5 mm located into the concealed mounting bracket.