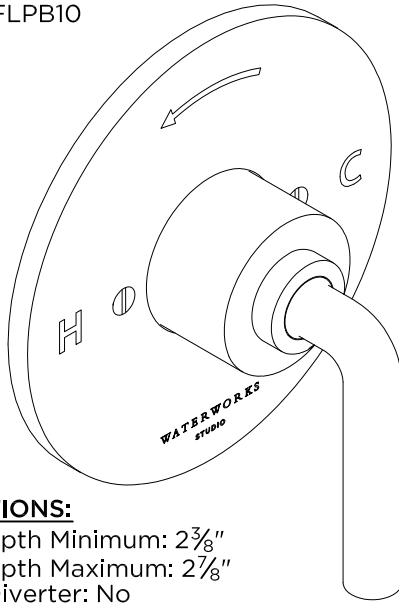


FLYTE

Pressure Balance Control Valve Trim

Installation Guidelines

Metal Lever Handle
STYLE No. FLPB10



SPECIFICATIONS:

Rough-in Depth Minimum: 2³/₈"

Rough-in Depth Maximum: 2⁷/₈"

Integrated Diverter: No

REQUIRED PLUMBING DETAILS:

Universal Pressure Balance Valve

STYLE No. GUPB81R

CODE No. GUSV81R

IMPORTANT:

- To ensure this product is installed properly, you must read and follow these guidelines.
- The owner/user of this product must keep this information for future reference.
- This product is intended to work with the Waterworks Universal Pressure Balance Valve (GUSV81R). The risk of scalding exists until the installer has properly calibrated/adjusted the temperature setting during final trim installation.
- The bottom outlet of the GUSV81R is intended for use with a tub spout with an integrated diverter only.
- Do not use Pex piping from the valve to the tub spout. This will cause too much back pressure for the valve to function properly.
- Be sure your installation conforms to all federal, state, and local codes. In the State of Massachusetts, all installations must comply with the rules and regulations set forth within 248 CMR.
- This product must be installed by a professional licensed contractor.
- Refer to the specification and assembly drawings attached. Product is sold partially assembled but shown fully disassembled for illustrative and service purposes only.

- Inspect this product to ensure you have all parts required for proper installation.
- This product must be on-site prior to rough-in which allows the installer to visualize the installation.
- Use only a strap wrench or protected/smooth-jaw wrench on any finished surface.

VALVE OPERATION:

1. When the finished wall is complete, turn on the hot and cold supplies and pull off the tile guard. Valve will not operate unless BOTH supplies are turned on.
2. The lever handle (1) is for controlling temperature only, not volume. Place the handle on the valve stem so it rests at 6 o'clock in the OFF position and then turn the handle counter clockwise through the cold, then warm and stopping at the hot position. If additional rotational friction is required to maintain the handle position, tighten the packing nut.
3. Allow the valve to run in the warm position for a few minutes to completely flush the system. If system is quite dirty, remove valve spindle to ensure proper flushing. Refer to the Installation Guidelines for the Pressure Balance Valve which contains a complete parts breakdown and related information.

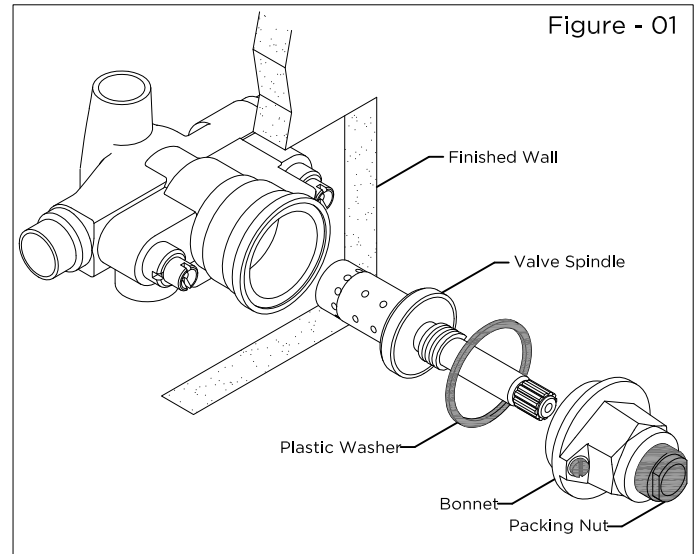


Figure - 01

HOT LIMIT SAFETY STOP CALIBRATION:

- **IMPORTANT:** The Pressure Balance Valve is equipped with a hot limit safety stop screw to limit the valve handle from being turned to excessive hot water discharge temperatures.
4. Remove the dome cover and open the valve to the maximum desired temperature verified with a thermometer and turn the safety stop screw clockwise until it seats. **WARNING: Failure to adjust the hot limit safety stop screw properly may result in serious scalding.**

These guidelines have been prepared for the professional contractor to aid in the installation of:
FLYTE PRESSURE BALANCE CONTROL VALVE TRIM WITH METAL LEVER HANDLE (STYLE No. FLPB10).
All dimensions are based on origin specification and are subject to change and variation.
Please consult your Design Associate for current specifications.

WATERWORKS
STUDIO

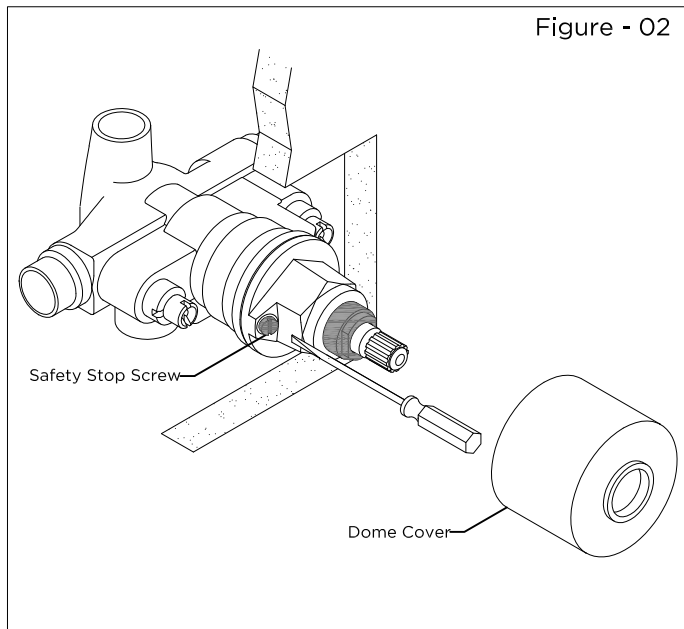


Figure - 02

TRIM INSTALLATION:

5. Remove the round collar (3) from the nose cone (5) then screw the nose cone onto the packing nut until fully seated.

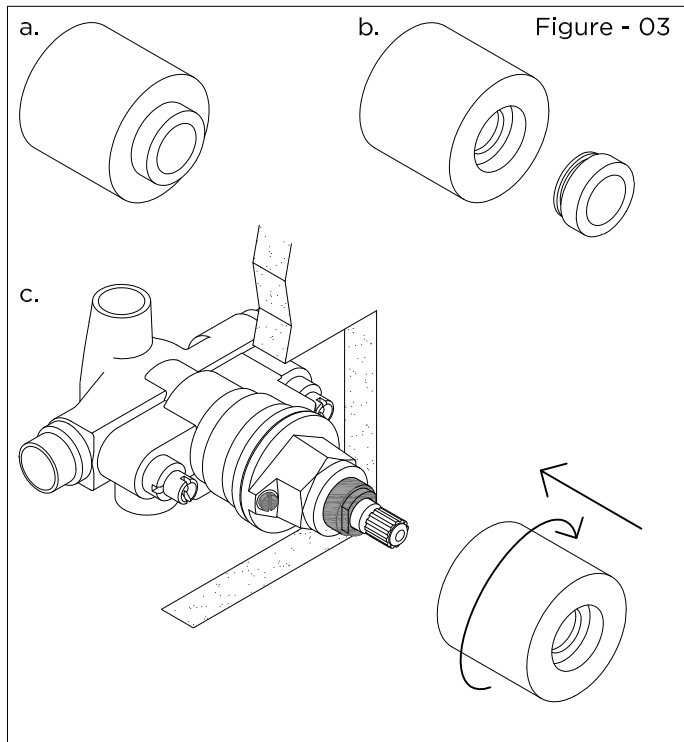


Figure - 03

6. Slide the trim plate (8) over the nose cone (5) and attach it with the screws (6) provided. If it is difficult to slide the plate over the nose cone, moisten the o-ring (7) inside the plate.

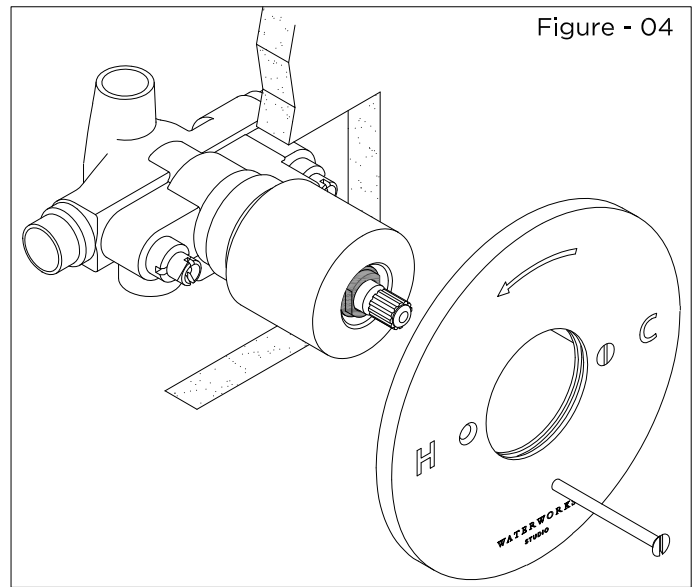


Figure - 04

7. Slide the round collar (3) over the base of the handle (1) then attach the handle to the valve stem and tighten the set screws (2) See Figure - 05.

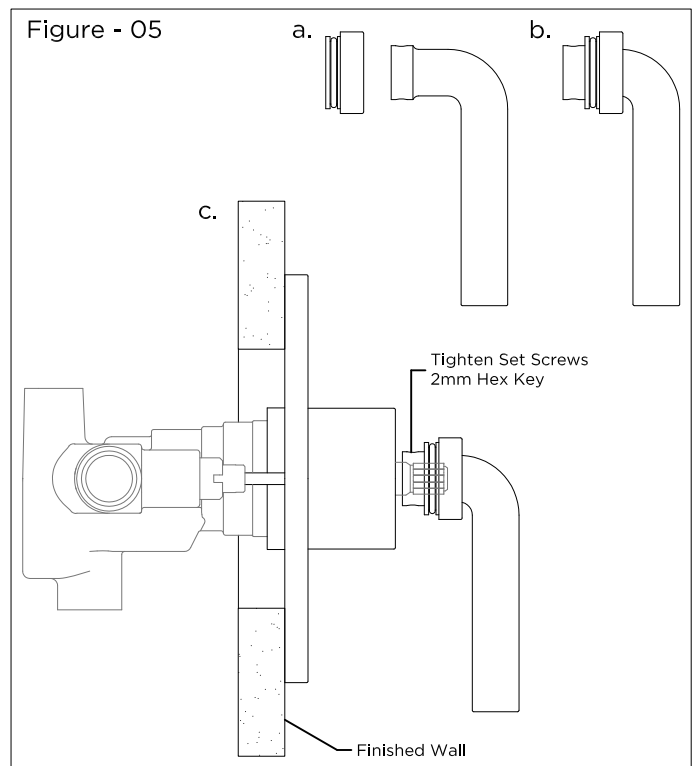


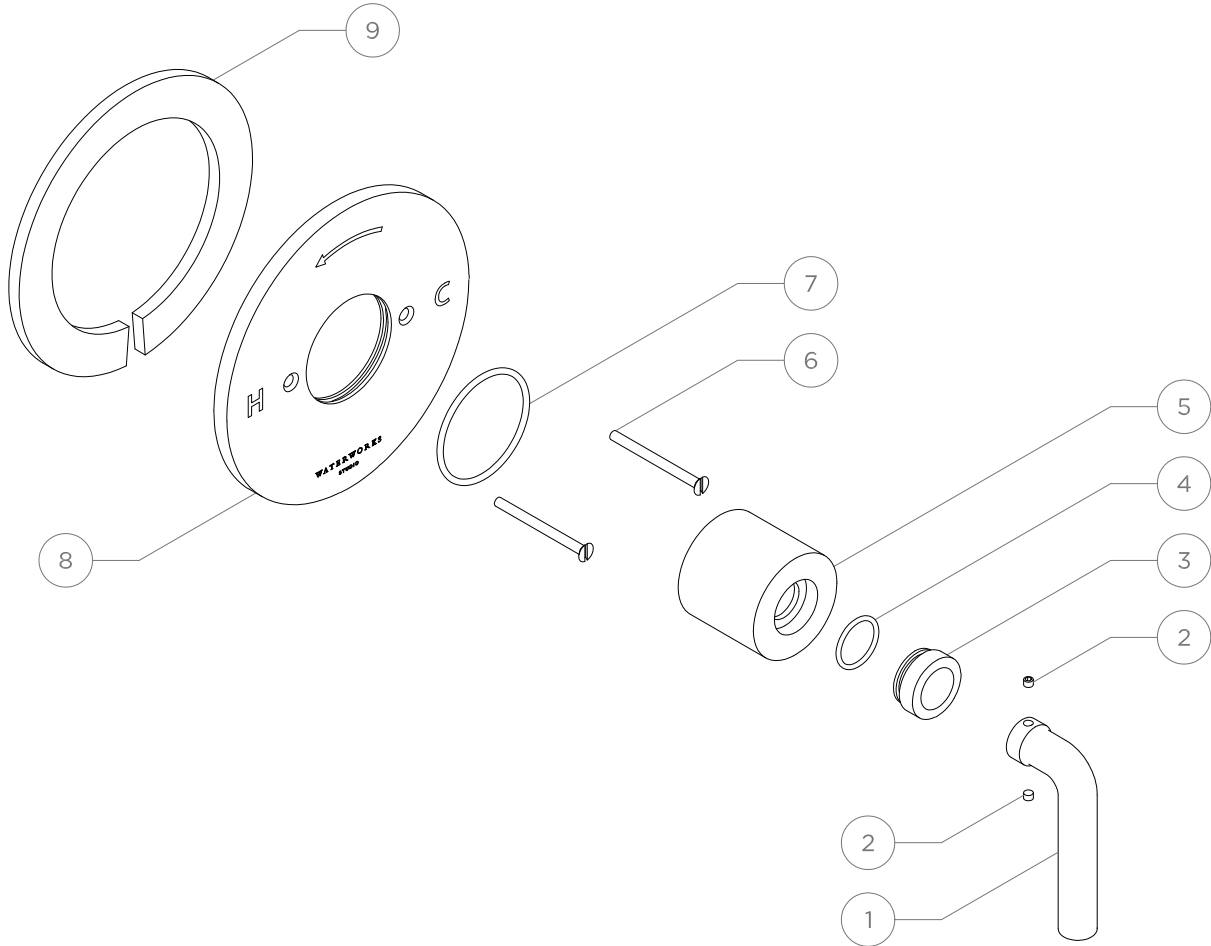
Figure - 05

8. Insert the round collar (3) back into the nose cone (5) to conceal the set screws. The o-ring (4) will hold the collar in place.

➤ If further assistance is required, contact Product Support at 1-800-927-2120 (8am-6pm EST).

These guidelines have been prepared for the professional contractor to aid in the installation of:
FLYTE PRESSURE BALANCE CONTROL VALVE TRIM WITH METAL LEVER HANDLE (STYLE No. FLPB10).
All dimensions are based on origin specification and are subject to change and variation.
Please consult your Design Associate for current specifications.

**WATERWORKS
STUDIO**



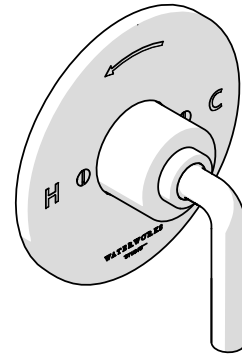
ITEM NO.	DESCRIPTION	QTY.
1	Lever Handle, Flyte	1
2	Set Screw, 2mm Hex, 4mm Length	2
3	Round Collar	1
4	O-Ring, 20mm ID x 2mm Width, Rubber	1
5	Nose Cone, Flyte	1
6	Screw, Slotted, 51.5mm Length	2
7	O-Ring, 47.3mm ID x 2.6mm Width, Rubber	1
8	Trim Plate, Flyte	1
9	Gasket	1

These guidelines have been prepared for the professional contractor to aid in the installation of:
FLYTE PRESSURE BALANCE CONTROL VALVE TRIM WITH METAL LEVER HANDLE (STYLE No. FLPB10).
 All dimensions are based on origin specification and are subject to change and variation.
 Please consult your Design Associate for current specifications.

WATERWORKS
STUDIO

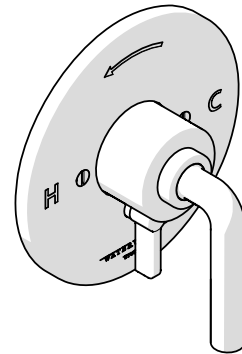
WATERWORKS STUDIO

SERVICE PARTS



STYLE FLPB10

Flyte Pressure Balance Control Valve Trim with Metal Lever Handles



STYLE FLPB30

Flyte Pressure Balance with Diverter Trim with Metal Lever Handles

WELCOME TO

WATERWORKS STUDIO

Over thirty years of experience distilled into signature fittings, surfaces, textiles, and accessories. Waterworks Studio is an edited collection of design solutions curated to be concise, engineered to be complete, and crafted for quality.

Everything you need, nothing more.

**TO ORDER PARTS CALL
1 (800) 927-2120 (EXT 2)**

Order by part number and specify color, finish, or other options if required.

PRODUCT SUPPORT

Our Product Support team provides troubleshooting and technical problem resolution, including replacement parts and installation recommendations throughout the life of your product.

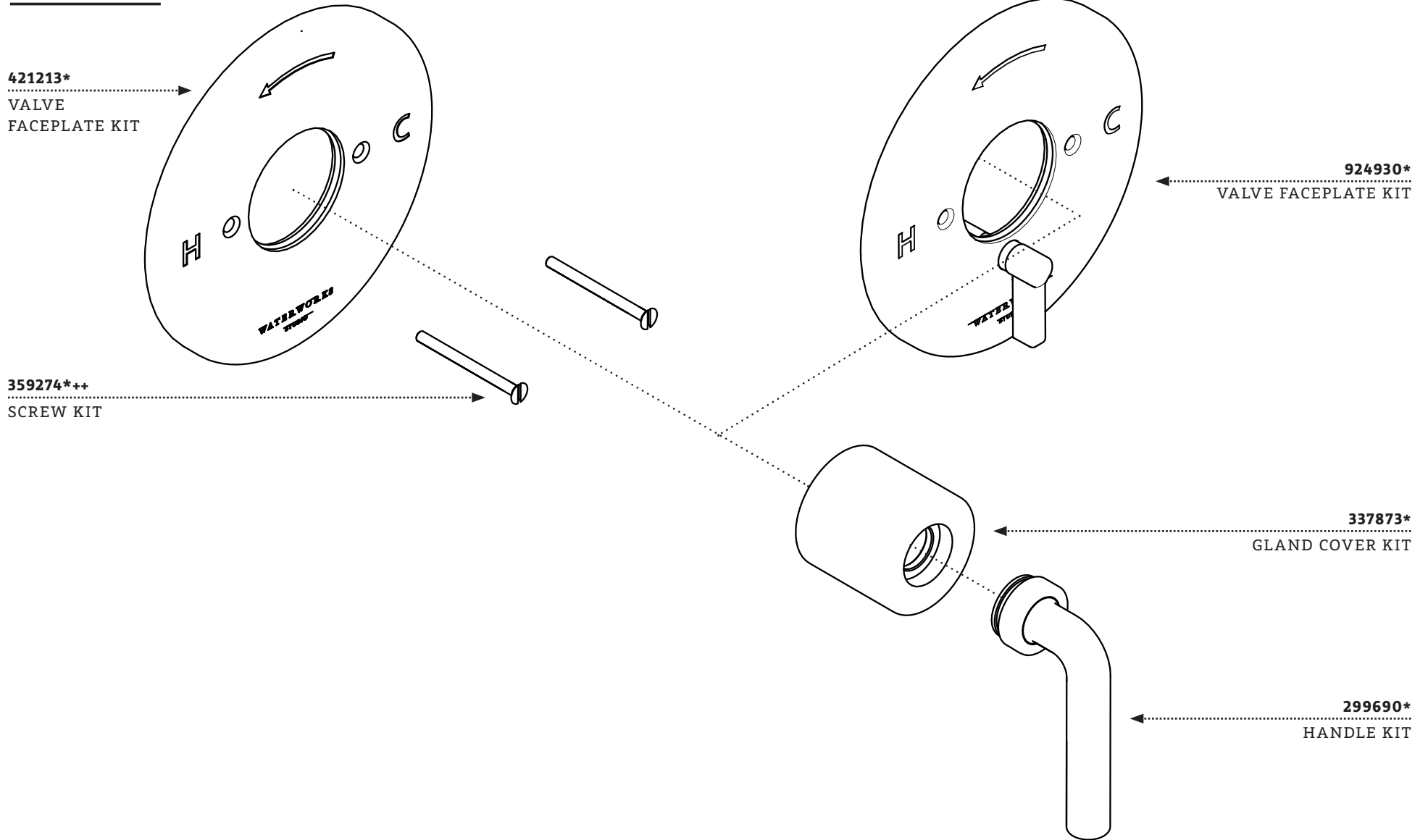
Product Support is available Monday through Friday, 9am-6pm.

**LIMITED LIFETIME
WARRANTY**

Our warranty covers repair and replacement of Waterworks products if within the applicable coverage period and deemed defective by Waterworks. Waterworks will, at its option, repair or replace such products; this does not include installation costs, labor charges, or other incidental or consequential costs.

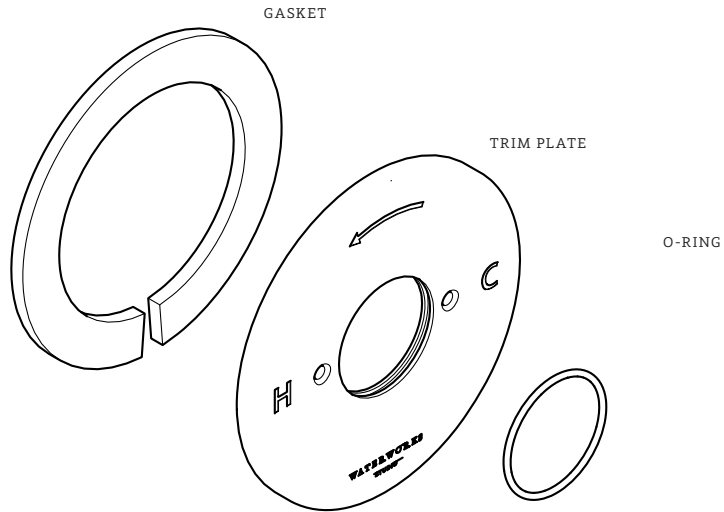
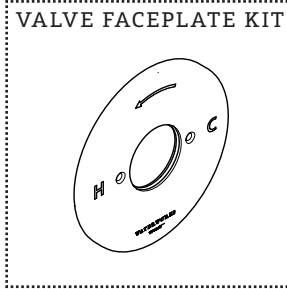
To obtain your complete warranty or inquire about warranty service, please visit us at www.waterworks.com or contact our Product Support Team.

MAIN KITS



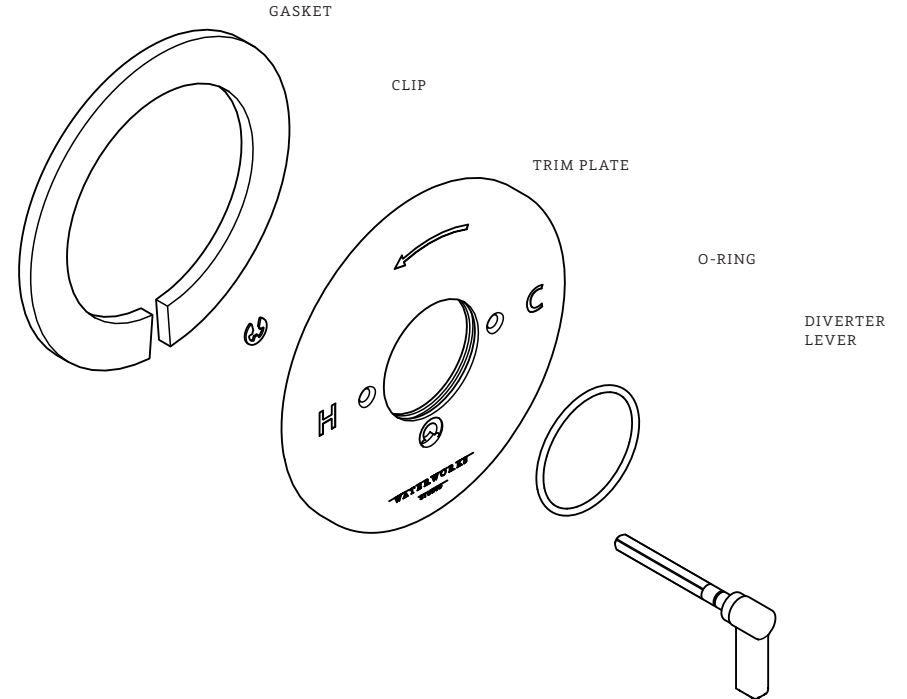
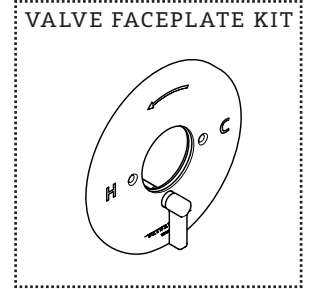
KIT COMPONENTS

421213*

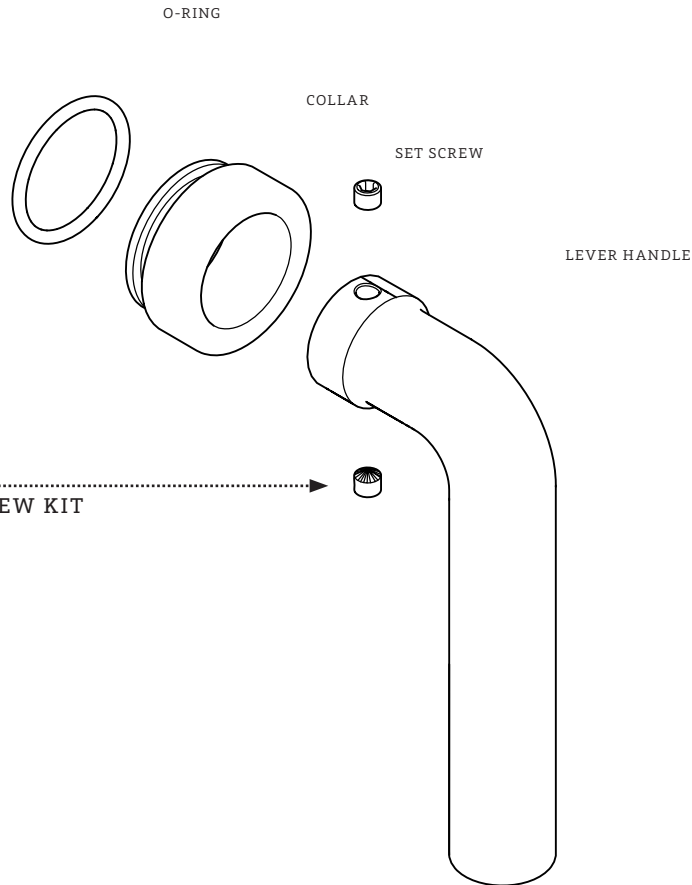


KIT COMPONENTS

924930*



KIT COMPONENTS



*FINISH/COLOR MUST BE SPECIFIED WHEN ORDERING
++SUPPLIED AS A PAIR

SERVICE PARTS INDEX

<u>STYLE</u>	<u>DESCRIPTION</u>	<u>PG</u>
337873*	GLAND COVER KIT	3
299690*	HANDLE KIT	6
528496	HANDLE SCREW KIT	6
359274*++	SCREW KIT	2
421213*	VALVE FACEPLATE KIT	4
924930*	VALVE TRIM KIT	5

STYLES: FLPB10, FLPB30

NOTES

*FINISH/COLOR MUST BE SPECIFIED WHEN ORDERING
++SUPPLIED AS A PAIR

NOTES

WATERWORKS
STUDIO

PRODUCT SUPPORT

60 BACKUS AVENUE
DANBURY, CT 06810

1 (800) 927-2120 (EXT 2)

WWW.WATERWORKS.COM/STUDIO