

FORMWORK

FMKM40

Formwork Three Hole Gooseneck Kitchen Faucet with Metal Knob Handles and Spray



SHOWN IN FORMWORK THREE HOLE GOOSENECK KITCHEN FAUCET WITH METAL KNOB HANDLES AND SPRAY | FMKM40

TECHNICAL DETAILS

Adjustable Shelves: N
 Adjustable versus Fixed Spray: Fixed Spray
 Deck Thickness Maximum: 2"
 Deck Thickness Minimum: 3/8"
 Escutcheon Primary Material: Brass
 Fitting Hole Configuration / Number: Three
 Fittings Hole Diameter: 1 3/8"
 Flow Restriction Options: 2.0, 1.75, 1.5
 Handle Spread Maximum: 12"
 Handle Spread Minimum: 8"
 Handle Turn Angle: Quarter Turn
 Handshower / Spray Hose Length: 59"
 Depth / Width: 10 1/16"
 Height: 13 3/16"
 Inlet Connection Size: 1/2"
 Inlet Connection Type: Male with Supply Nut
 Integrated Diverter: Y
 Integrated Spray: Y
 Number of Handles: One
 Number of Holes: Four Hole
 Primary Material: Brass
 Restricted Maximum Flow Rate: 2.2 gpm
 Spout Swivel: Y
 Spray Included in Unit: Y
 Suggested Application: Bar, Kitchen, Laundry
 Valve Material: Ceramic
 Water Pressure Maximum: 85.0 psi
 Water Pressure Minimum: 20.0 psi
 Water Pressure Recommended: 45.0 psi

INSPIRATION

Sculptural forms that defy the ordinary. Unexpected geometry and the transition of the planes create a subtle but warm expression.

CODES & STANDARDS

Code # FMKM10X: Certified with cUPC, NSF, IAPMO, CSA, CEC

PRODUCT FEATURES

Three hole faucet with side spray.
 8 1/2" Gooseneck swivel spout.
 Distinctive knob handles.
 Standard flow rate is 2.2gpm (8.3 L/min) and State of California requires a maximum of 1.8gpm(6.8 L/min). Also available in other flow options. Contact a sales associate for details.

CERTIFICATIONS

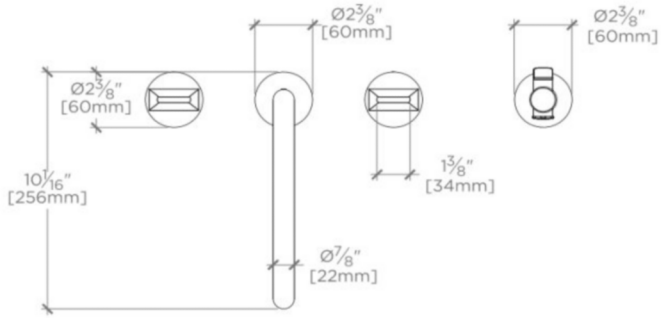


WATERWORKS

FORMWORK

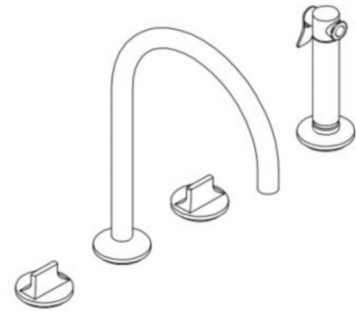
FMKM40

Formwork Three Hole Gooseneck Kitchen Faucet with Metal Knob
Handles and Spray



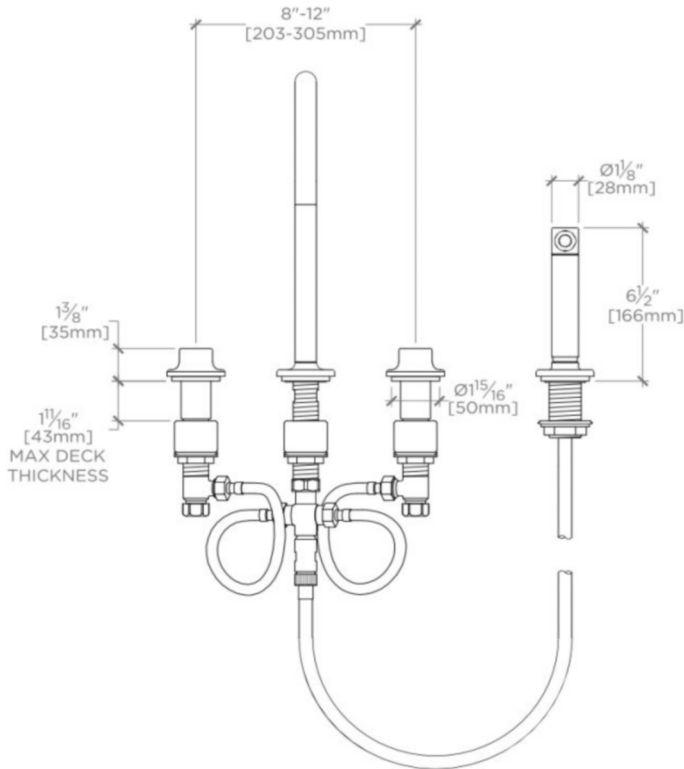
TOP VIEW

SCALE: 1/2"=1'-0"



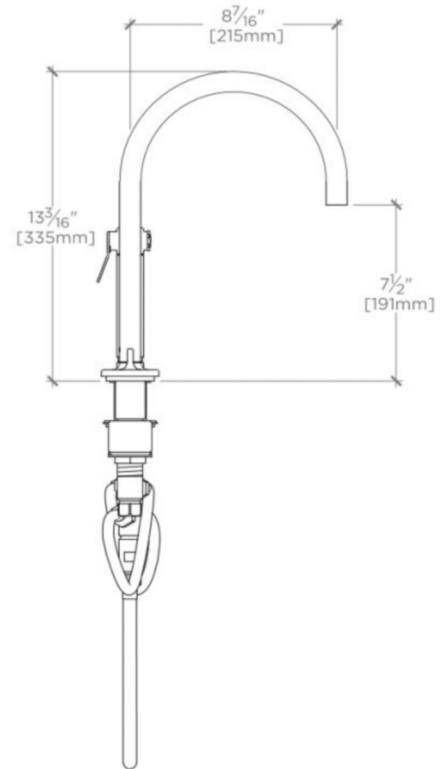
ISO VIEW

SCALE: 1/2"=1'-0"



FRONT VIEW

SCALE: 1/2"=1'-0"



SIDE VIEW

SCALE: 1/2"=1'-0"