

## FORMWORK

FMLS10

Formwork Low Profile Three Hole Deck Mounted Lavatory Faucet with Metal Lever Handles



SHOWN IN FORMWORK LOW PROFILE THREE HOLE DECK MOUNTED LAVATORY FAUCET WITH METAL LEVER HANDLES

### TECHNICAL DETAILS

ADA Compliance: Yes  
 Adjustable Shelves: N  
 Deck Thickness Maximum: 2"  
 Deck Thickness Minimum: 3/8"  
 Drain Depth Maximum: 1 3/4"  
 Drain Hole Diameter: 1 3/4"  
 Drain Style: Push Touch  
 Escutcheon Primary Material: Brass  
 Fittings Hole Diameter: 1 3/8"  
 Flow Restriction Options: 1.0 , 1.2 , 1.5 , 1.75, 2.2  
 Handle Spread Maximum: 12"  
 Handle Spread Minimum: 8"  
 Handle Turn Angle: Quarter Turn  
 Depth / Width: 7 7/8"  
 Drain Depth Minimum: 1 3/8"  
 Height: 2 9/16"  
 Inlet Connection Size: 1/2"  
 Inlet Connection Type: Male with Supply Nut  
 Inlet Supply Spread Maximum: 12"  
 Inlet Supply Spread Minimum: 8"  
 Installation Type: Deck Mounted  
 Length: 13 5/8"  
 Number of Handles: Two  
 Number of Holes: Three Hole  
 Primary Material: Brass  
 Spout Swivel: N  
 Suggested Application: Bath  
 Valve Material: Ceramic  
 Water Pressure Maximum: 85.0 psi  
 Water Pressure Minimum: 20.0 psi  
 Water Pressure Recommended: 45.0 psi

### INSPIRATION

Sculptural forms that defy the ordinary. Unexpected geometry and the transition of the planes create a subtle but warm expression.

### CODES & STANDARDS

Code # FMLS10X: Certified with cUPC, NSF, CEC, IAPMO, CSA

### PRODUCT FEATURES

Lever Handles  
 Modern Push-Touch Euro style drain included.  
 Available in 1.2gpm (4.5L/min) flow rate

### CERTIFICATIONS

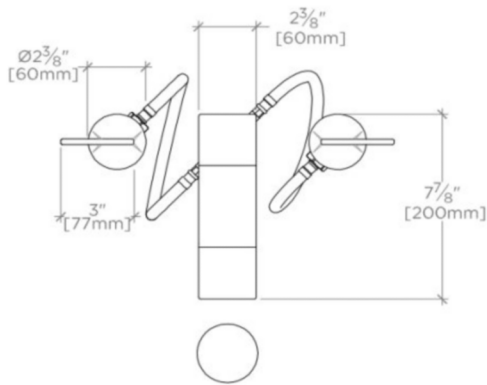


# WATERWORKS

## FORMWORK

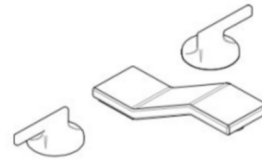
FMLS10

Formwork Low Profile Three Hole Deck Mounted Lavatory Faucet with Metal Lever Handles



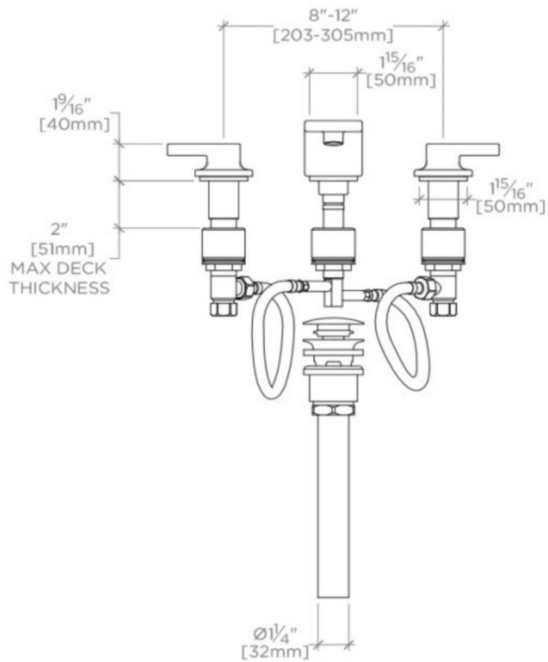
TOP VIEW

SCALE: 1/2"=1'-0"



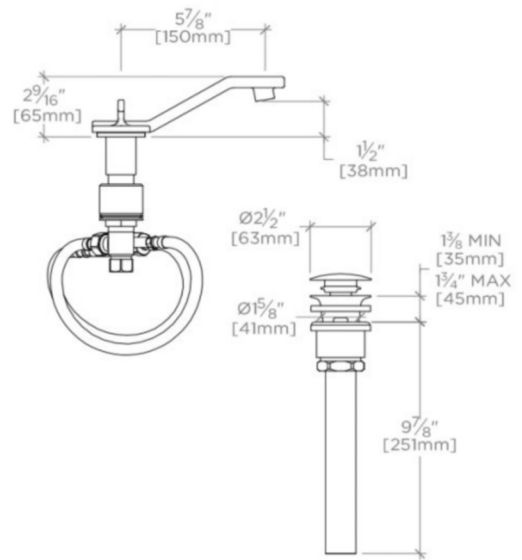
ISO VIEW

SCALE: 1/2"=1'-0"



FRONT VIEW

SCALE: 1/2"=1'-0"



SIDE VIEW

SCALE: 1/2"=1'-0"