

### Features

- Bask® heated surface creates spa-like relaxation with soothing warmth on your back, shoulders, and neck.
- Three heat settings allow you to customize the surface temperature.
- Single-speed whirlpool offers performance and value, with 5 fully adjustable jets.
- Hydromassage flow and direction can be controlled at each jet.
- Hourglass shape adds style and elegance to your bathroom.
- Integral apron.
- Integral flange helps prevent water from seeping behind wall and simplifies alcove installation.
- Textured bottom surface.

### Material

- Acrylic.

### Hydrotherapy

- Whirlpool.

### Installation

- Left drain.
- Alcove.

### Recommended Products/Accessories

K-1234 Removable Apron  
K-7166-AF Bath Drain  
K-7213 27" Cable Bath Drain  
K-7214 27" Cable Bath Drain  
K-9695 5-Jet Trim Kit  
K-24916 Wireless Music Kit  
K-37380 30" Rough-in Cable Bath Drain  
K-37383 Rough-in cable bath drain, PVC, 30" cable with tubing  
K-23726 Drain treatment  
K-23732 Tub & shower cleaner



### Codes/Standards






ASME A112.19.7/CSA B45.10  
CSA B45.5/IAPMO Z124  
ASTM E162  
ASTM E662  
UL 1795

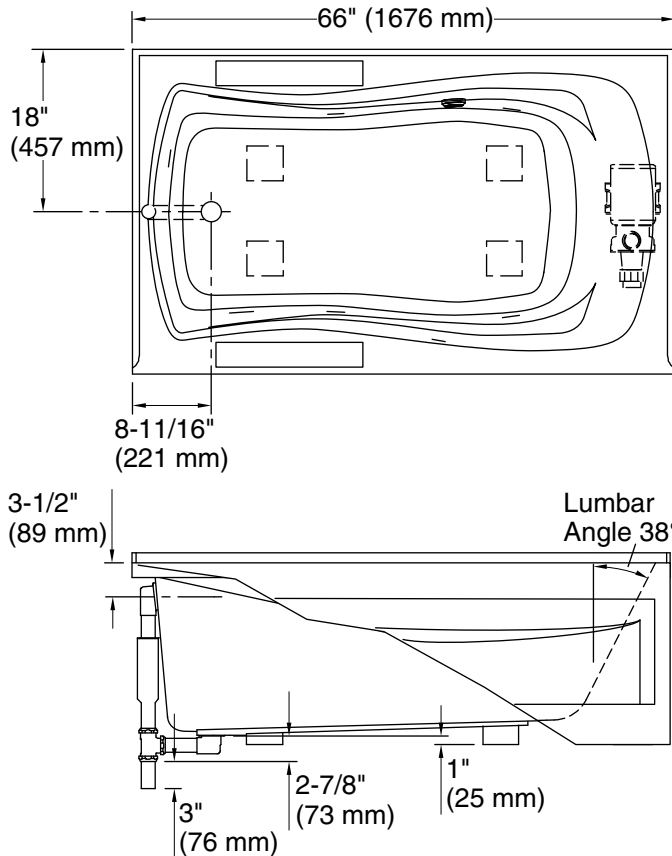
**KOHLER® Plastic Baths and Receptors  
Lifetime Limited Warranty  
KOHLER® Hydrotherapy Components  
Five-Year Limited Warranty**

See website for detailed warranty information.

### Available Colors/Finishes

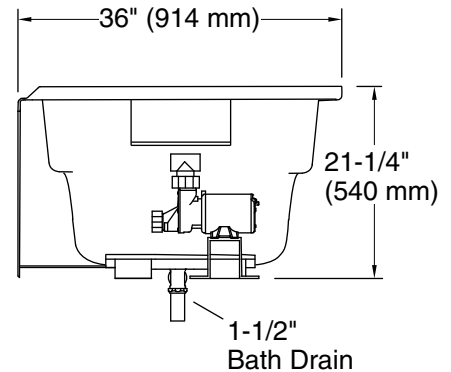
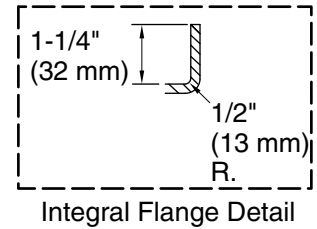
*Color tiles intended for reference only.*

Color	Code	Description
	0	White
	96	Biscuit
	47	Almond
	NY	Dune
	G9	Sandbar



No change in measurements if connected with drain illustrated. (K-7161-AF)

□ Recommended Faucet Location



### Required Electrical Service

One dedicated circuit required, protected with Class A Ground-Fault Circuit-Interrupter (GFCI). Outside North America, this device may be known as a Residual Current Device (RCD).

Pump, Heated            120 V, 15 A, 60 Hz  
Surface:

### Technical Information

All product dimensions are nominal.

Installation:            Three-wall alcove  
Drain location:        Left  
Basin area, bottom:   48" x 24" (1219 mm x 610 mm)  
Basin area, top:       59" x 30" (1499 mm x 762 mm)  
Weight:                116 lbs (52.6 kg)  
Minimum floor load:   42 lbs/ft<sup>2</sup> (205.1 kg/m<sup>2</sup>)  
Water depth:           14" (356 mm)  
Water capacity:       67 gal (253.6 L)  
Electrical component rating:   Pump: 120 V, 7 A, 60 Hz  
   Heated Surface: 120 V, 0.5 A, 60 Hz, 65 W  
Pump speed:           Single  
Minimum flat for door: 1-15/16" (49 mm)

### Notes

Measure your actual product for rough-in details. Install this product according to the installation instructions.

The hot water supply should be 70% of the capacity of the bath or greater. Installations will vary.

If installing a rim-mount faucet, make sure there is no interference above or below the deck before drilling any holes.