

# ASSEMBLY INSTRUCTION

## CP1110-T-1094



A x8  
Spec:  $\varnothing 8 \times 44$



B x8  
Spec:  $\varnothing 25 \times 8$



C x8  
Spec:  $\varnothing 10 \times 18$



D x8  
Spec:  $\varnothing 12 \times \varnothing 10 \times 11$



E x1  
Spec: 5#



F x4  
Spec:



FIG. 1

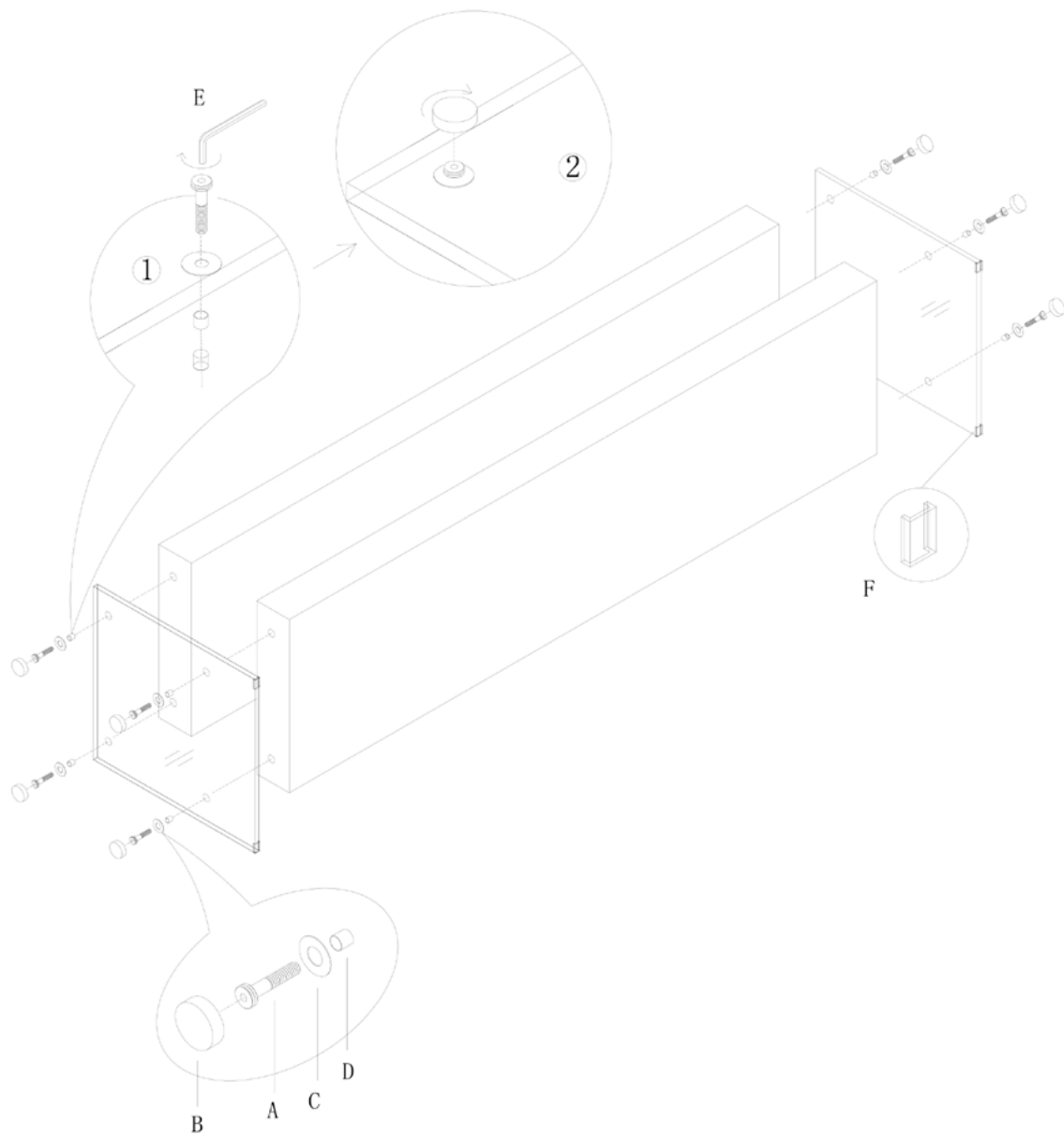


FIG.  
2

