

**EB2530-R9**



**Collection:** ODÉON RIVE GAUCHE

**Finish\*:**



**Main features:**



**Features**

- DIMENSIONS: 60 x 50.80 x 73.90 cm
- MATERIAL: Lacquer or melamine
- NORMS AND REGULATION: NF
- VERSION: Black handle
- HANDLE : Attached wire handle
- FIXING: Installer selects fixings set according to wall support

- WEIGHT: 37 kg
- INSTALLATION TYPE: Wall-hung
- STORAGE TYPE: Drawer
- PRODUCT INCLUDED: Feet
- INSIDE FINISH: Grey
- ADDITIONAL INFORMATION: tap, vanity top/basin and fixings set not included

**Consumer benefits**

- SOUND COMFORT: Drawers equipped with a damper close system
- PERFECT FINISH: Wide choice of finishes

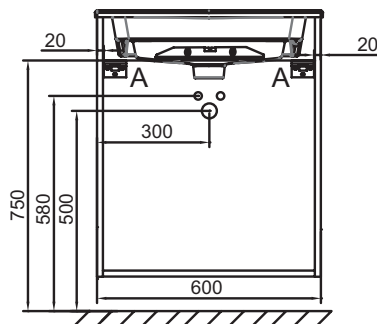
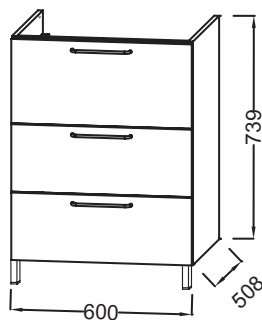
**Installation benefits**

- EASY INSTALLATION: Assembled cabinet

**Required products**

- EB2560: Vanity top frosted glass 61 cm
- EXBA112-Z: Vanity top 60 cm

**Technical drawing**



Product Specification: Base unit for vanity top 60 cm, 3 drawers, black wire handles. EB2530-R9. Collection: ODÉON RIVE GAUCHE. DIMENSIONS: 60 x 50.80 x 73.90 cm. WEIGHT: 37 kg. MATERIAL: Lacquer or melamine. INSTALLATION TYPE: Wall-hung. NORMS AND REGULATION: NF. STORAGE TYPE: Drawer. VERSION: Black handle. PRODUCT INCLUDED: Feet. HANDLE : Attached wire handle. INSIDE FINISH: Grey. FIXING: Installer selects fixings set according to wall support. ADDITIONAL INFORMATION: tap, vanity top/basin and fixings set not included.

\*Due to possible variations in computer and printer calibrations, technical factors and certain finish characteristics, the colors you see may not accurately portray the actual colors and are provided as a guide only.