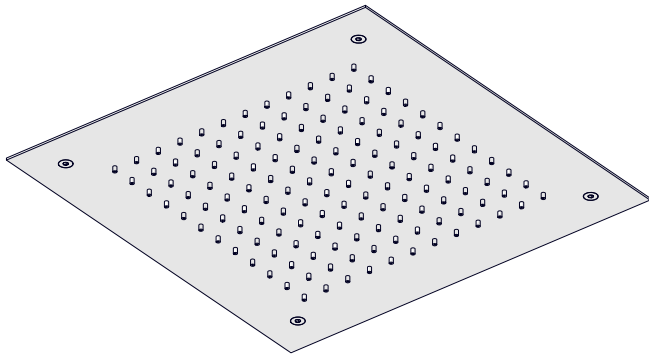


FORMWORK

15" Ceiling Mounted Recessed Showerhead

INSTALLATION GUIDELINES

Style No. FMSH10



SPECIFICATIONS:

Connection Type: 1/2" Female Hose Connection
Fitting Cutout in Tile Backing: 17-3/4" Square
Fitting Opening in Finished Ceiling: 13-1/8" Square
Recommended Pipe Size: 3/4"
Restricted Maximum Flow Rate: 2.5 gpm
Water Pressure: 20psi MIN - 80psi MAX
Water Pressure Recommended: 45psi

IMPORTANT:

- A diverter or wall valve (sold separately) control on/off/volume and must be installed for each fitting that will have water flowing to it.
- This is a two person installation.
- Prior to installation verify the locations of ceiling joists.
- Proper blocking is required above the finished ceiling. Installing between ceiling joists is ideal, otherwise dropping the ceiling may be required.
- To ensure this product is installed properly, you must read and follow these guidelines.
- The owner/user of this product must keep this information for future reference.
- Be sure your installation conforms to federal, state, and local codes. In the State of Massachusetts, all installations must comply with the rules and regulations set forth within 248 CMR.
- This product must be installed by a professional licensed contractor and must be onsite prior to rough-in, this allows the installer to visualize the installation.
- Inspect this product to ensure you have all the parts required for proper installation.
- The use of certain plumber's putty can stain stone or tile surfaces.

SHOWER BRACKET ROUGH IN:

- The ideal location for this showerhead is between 2 ceiling joists and centered in the shower stall.
 - See Figure 1 for Steps 1 - 3.
1. Determine the ideal location for the FMSH10 and cut a 17-3/4" x 17-3/4" square opening into the TILE BACKING BOARD.
 2. Plumb 3/4" Copper Pipe from a control valve (SOLD SEPARATELY) and through the CEILING JOIST, centered, into the area, about 3" into the opening.
 3. Sweat a 3/4" Pipe x 1/2" NPT Male Pipe Adapter onto copper pipe (not included) on the end of the of the copper pipe.

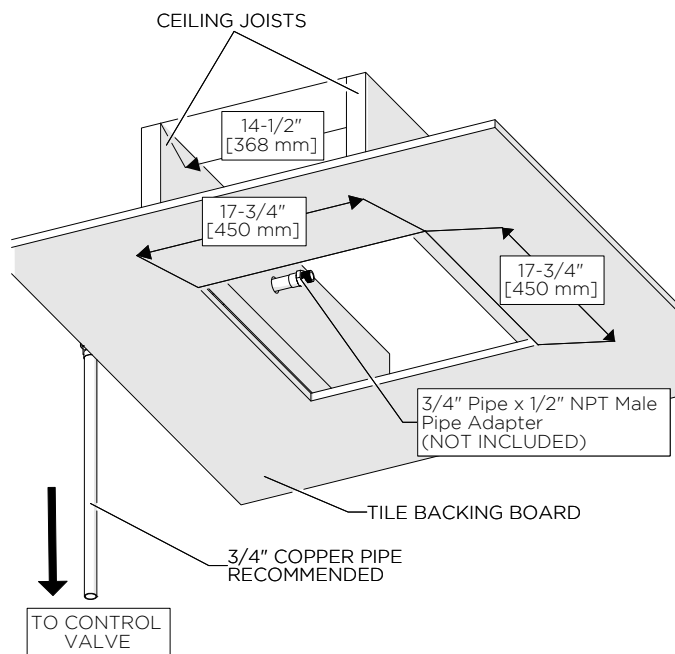


FIGURE - 01

- See Figure 2 & Figure 3 for Steps 4 -6.
4. Install 2x4 BLOCKING between the CEILING JOISTS with an open distance of 13-1/4" between and a minimum of 2-1/4" and maximum of 2-3/4" from finished ceiling.
 5. Attach MOUNTING BRACKET with wood screws (not included) or ceiling hangers (not included), using the MOUNTING TABS.
 6. Finish the ceiling so that the MOUNTING BRACKET is flush with the finished ceiling.
- **NOTE: THE FACE OF THE MOUNTING BRACKET IS TO BE FLUSH WITH THE FINISHED CEILING.**

These guidelines have been prepared for the professional contractor to aid in the installation of:
FORMWORK 15" Ceiling Mounted Recessed Showerhead (STYLE# FMSH10)
All dimensions are based on original specification and are subject to change and variation.
Please consult your Design Associate for current specifications.

WATERWORKS

FORMWORK

15" Ceiling Mounted Recessed Showerhead

INSTALLATION GUIDELINES

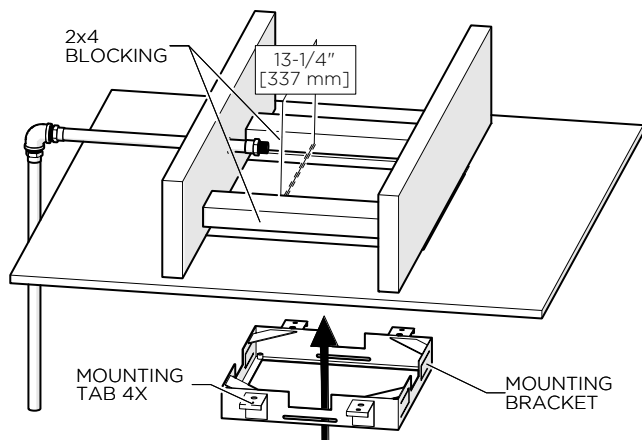


FIGURE - 02

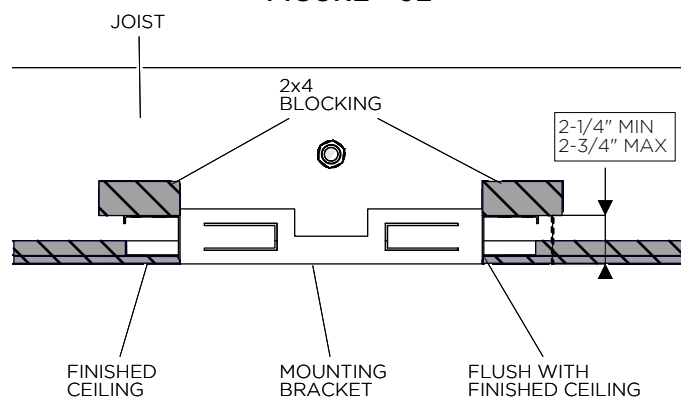


FIGURE - 03

SHOWERHEAD INSTALLATION:

- Prior to showerhead installation, it is recommended that the supply line be flushed.
- See Figure 4 for Steps 7 -9.
- 7. Connect the HEX END of the SUPPLY HOSE to the SUPPLY PIPE making sure the RUBBER WASHER is between.
- 8. While holding the SHOWERHEAD just below the finished ceiling, tighten the ANGLED END of the SUPPLY HOSE to the threading on the SHOWERHEAD, making sure the RUBBER WASHER is between.
- 9. Hold SHOWERHEAD flush to finished ceiling and install SCREWS into the threaded holes on the MOUNTING BRACKET using a 4mm Allen key.

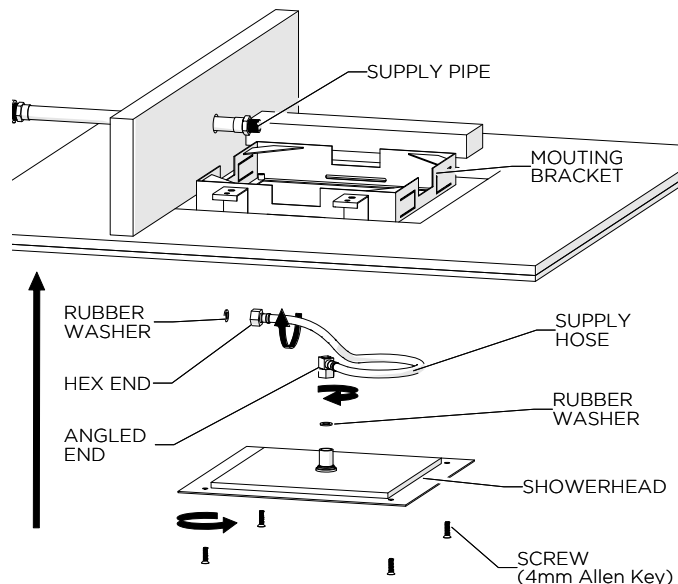


FIGURE - 04

INSPECT THE INSTALLATION:

10. Inspect all connections for leaks.
- If further assistance is required, please contact Product Support at 1-800-927-2120 (8am-6pm EST).
 - See service part document for parts ordering, available on WATERWORKS.COM

These guidelines have been prepared for the professional contractor to aid in the installation of: FORMWORK 15" Ceiling Mounted Recessed Showerhead (STYLE# FMSH10)
All dimensions are based on original specification and are subject to change and variation.
Please consult your Design Associate for current specifications.

WATERWORKS