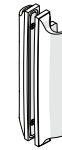


## INSTALLATION GUIDELINES

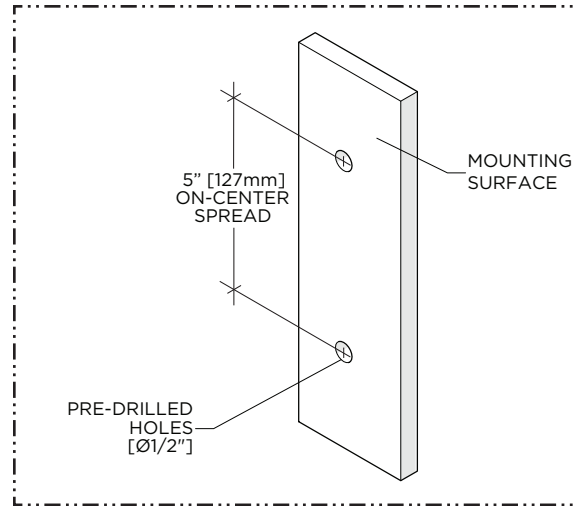
### IMPORTANT

- To ensure this product is installed properly, you must read and follow these guidelines.
- The owner/user of this product must keep this information for further reference.
- This product must be installed by a professional licensed contractor.
- Inspect this product to ensure you have all the parts required for proper installation.
- To avoid damaging the product, do NOT use power tools during installation.
- If further assistance is required, please contact Product Support at 1-800-927-2120 Monday through



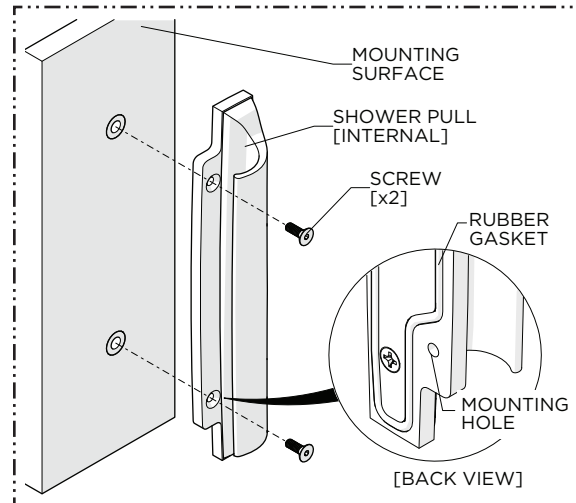
STYLE No. FRHW88

Foro 8" Back-to-Back Shower Door Pull



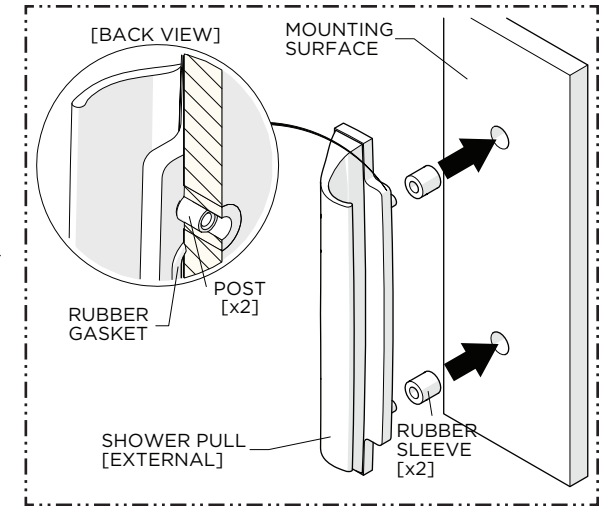
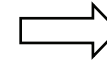
1. Drill two 1/2" diameter holes on the mounting surface at the required on-center spread of 5" [127mm].

**NOTE:** Ensure the holes are level and verify the on-center spread.



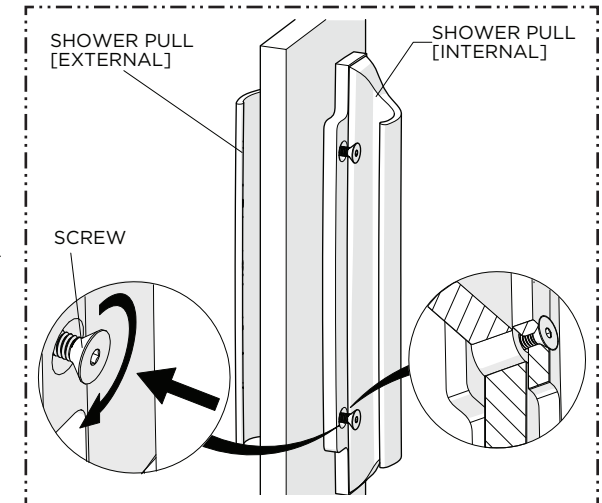
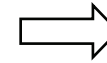
3. Hold the internal SHOWER PULL up to the mounting surface and align the mounting holes then insert the SCREWS provided.

**NOTE:** The RUBBER GASKET on the PULL is adhesive backed and should not be removed.



2. Insert the RUBBER SLEEVES into the pre-drilled holes then insert the POSTS on the external SHOWER PULL into the SLEEVES.

**NOTE:** The RUBBER GASKET on the PULL is adhesive backed and should not be removed.



4. Thread and securely tighten the SCREWS to complete the installation.

**CAUTION:** Ensure the PULLS are level.