



IB RUBINETTI

Collection

WHYNOT?

Article

WN313

Description

Exposed parts for manual wall mixer with two ways

Built-in body to be purchased separately INC313XXXN_19

Box Dimensions

265 x 260 x 70 mm

Weight

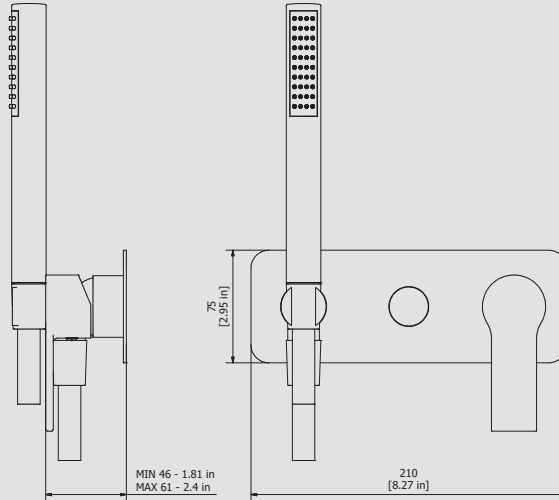
2.4 kg

Finishes

- CC** CHROME
- CF** BLACK CHROME
- OO** GOLD
- BB** ANTIQUE BRONZE
- SS** BRUSHED NICKEL
- CS** BRUSHED BLACK CHROME
- BO** MATT WHITE
- NP** MATT BLACK
- IS** BRUSHED PALE GOLD
- OS** BRUSHED GOLD
- II** PALE GOLD
- RR** ANTIQUE COPPER
- ORS** ROSE GOLD
- ON** NATURAL BRASS
- SR** BRUSHED ROSE GOLD
- PL** PLATINUM



Dimensions



Cartridge

Ø35 ceramic cartridge

Threaded fitting

Aerator

Flow Rate (+/-10%)

1 BAR
10 l/min

2 BAR
14.1 l/min

3 BAR
17.2 l/min

Production

Main body is a machined from a solid pieces

Material

BRASS
According to CuZn35Pb3 (CW614N)
Max Lead content: 2.5%

IB RUBINETTERIE s.p.a
via dei Pianotti 3/5
25068 Sarezzo (BS) - Italy -

T. +39 030 802101
F. +39 030 803097
info@ibrubinetterie.it

P.IVA 01785230986
capitale sociale
€420.000,00 i.v.

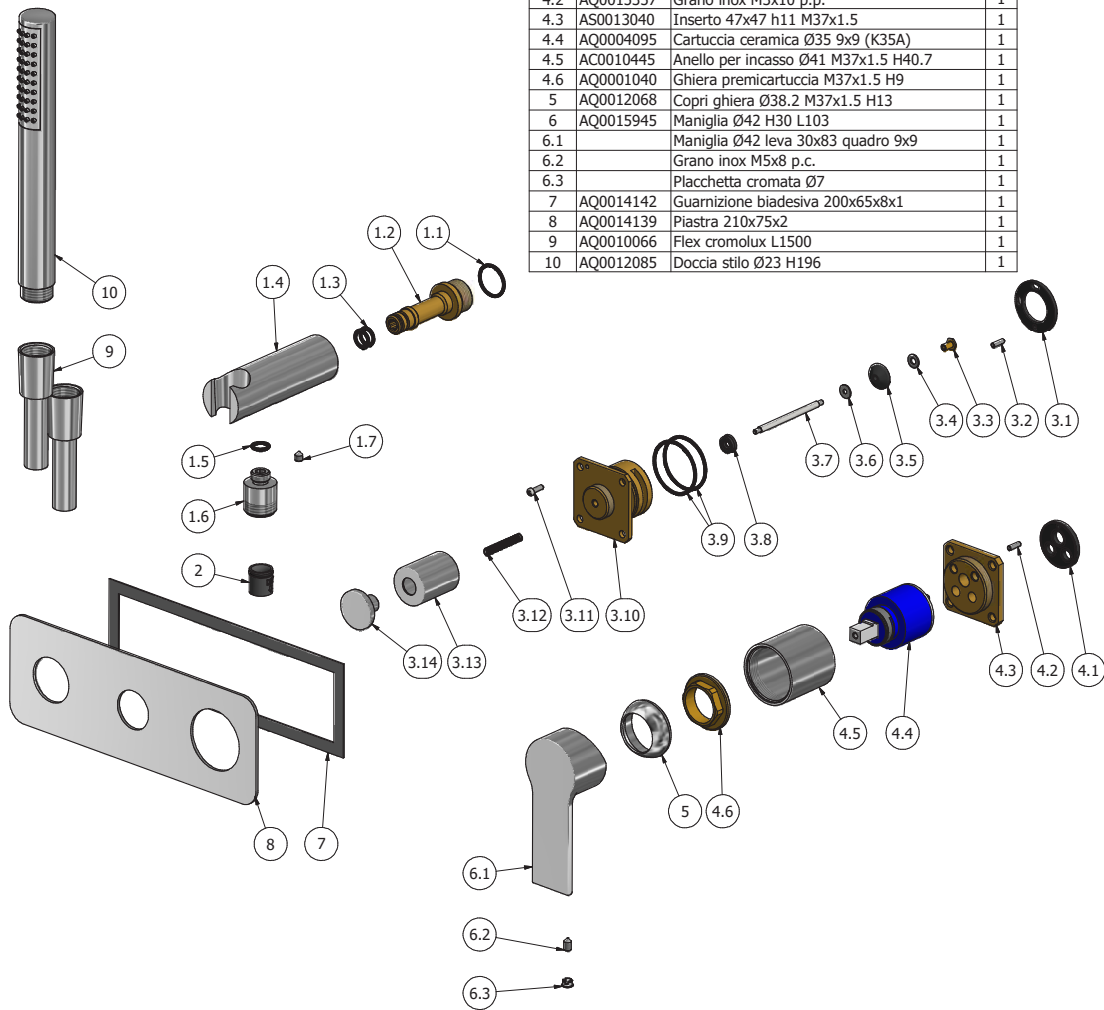
WWW.IBRUBINETTI.IT





IB RUBINETTI

ELENCO PARTI			
ELEM	CODICE	DESCRIZIONE	QT
1	CPSUPCCXN_1	Supporto e presa h2o Ø30 L.95	1
1.1	AQ0004640	OR Ø18.77 x Ø1.78 NBR 70 SH	1
1.2	AS0013051	Inserito baionetta G1/2 H.64.9	1
1.3	AQ0004180	OR 9.25x1.78 NBR 70 SH	2
1.4	AC0013053	Supporto doccia Ø30 x L.94.8	1
1.5	AQ0001340	OR 8.73x1.78 NBR 70 SH	1
1.6	AC0013052	Raccordo G1/2M M12x1M H20.5	1
1.7	AQ0014670	Grano inox M5x6 p.c.	1
2	AQ0013247	Valvola regolazione di portata Ø15 4L e n.r. (31.2018.1)	1
3	CPDEV24CCXN_1	Deviatore Ø24 a pistone	1
3.1	AQ0015685_1	Guarnizione Ø33.8 x Ø21 x h2.5	1
3.2	AQ0015357	Grano inox M3x10 p.p.	1
3.3	AS0011816	Fermo M3 L9	1
3.4	AQ0010229	Rondella inox Ø4	1
3.5	AQ0013871	Guarnizione biconica Ø17x3.75x8	1
3.6	AS0011839	Rondella UNI 9593 M3	1
3.7	AL0011819	Asta deviatore Ø4 M3 L64.5	1
3.8	AQ0013872	Gaco 11,8 X 3,5 NBR 70 SH	1
3.9	AQ0008026	OR 33.05x1.78 NBR 70 SH	2
3.10	AS0013043	Inserito q.47x47 h34.8 x dev.pistone	1
3.11	AQ0012206	Vite inox M3x10 con testa tornita a Ø5	1
3.12	AQ0013884	Molla De5, Di4.2, Df0.4, St15, Lo38	1
3.13	AC0013054	Anello Ø26 M22x1F. H.33	1
3.14	AC0013041	Pomolo Ø26 H17 M3F	1
4	CPIN206CC-19	Miscelatore 47x47 x incassi	1
4.1	AQ0015684	Guarnizione Ø31 H3.5 Ø7 Ø7.5	1
4.2	AQ0015357	Grano inox M3x10 p.p.	1
4.3	AS0013040	Inserito 47x47 h11 M37x1.5	1
4.4	AQ0004095	Cartuccia ceramica Ø35 9x9 (K35A)	1
4.5	AC0010445	Anello per incasso Ø41 M37x1.5 H40.7	1
4.6	AQ0001040	Ghiera premicartuccia M37x1.5 H9	1
5	AQ0012068	Copri ghiera Ø38.2 M37x1.5 H13	1
6	AQ0015945	Maniglia Ø42 H30 L103	1
6.1		Maniglia Ø42 leva 30x83 quadro 9x9	1
6.2		Grano inox M5x8 p.c.	1
6.3		Placchetta cromata Ø7	1
7	AQ0014142	Guarnizione biadesiva 200x65x8x1	1
8	AQ0014139	Piastra 210x75x2	1
9	AQ0010066	Flex cromolux L1500	1
10	AQ0012085	Doccia stilo Ø23 H196	1



WARRANTY

All IB Rubinetterie SpA products are warranted for 10 years from the date of purchase, for the following cases:

- Defects of casting, porosity and chrome plating.
- Operating defects caused by incorrect fabrication.

The warranty provides for repair or replacement of products with fabrication defects recognized by our technical office. There is no other type of compensation anche the merchandise must be returned FOB our warehouse. The warranty only cover surface defects (scatches, dings, etc.) on fitting that have not been installed and used, returned in its original packaging with all components. O-ring, gasket seals and components subject to wear proportional to use are warranted for 2 years.

The warranty is void in the following cases:

Error installing and putting the product into service.

Deterioration of finisched surfaces due to use of cleaning products containing acids or abrasive substances. Deterioration of surface with finishes other than chrome plating. Their durability is, in fact, dependent on the user's care and gentleness of use.

Deterioration of the fitting due incorrect installation.

Improper repairs and maintenance performed without the company's prior authorization.

The warranty from IB Rubinetterie SpA is not renewable.

Cleaning

We recommended cleaning the finish surfaces with water and soap, using a soft cloth.

Do not use detergents that cointain hydrochloric acid or abrasive substances.

