

Two-way diverter for bath rim or tile edge installation - Matte Black

TARA

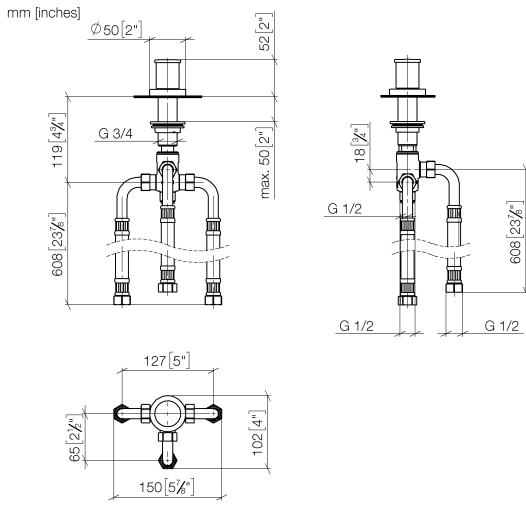
29 140 979



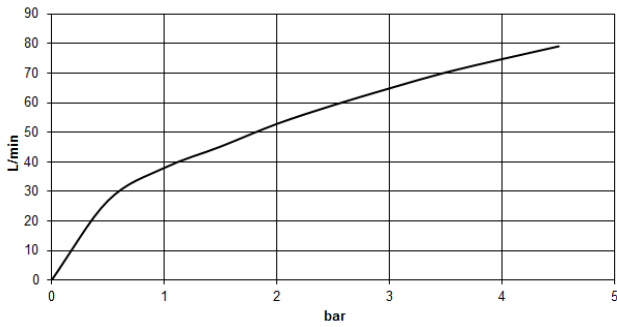
- automatic bath/shower diverter
- hole diameter 32 mm
- rosette Ø 50 mm
- 1/2" connection
- max. flow 64.9 l/min at 3 bar flow pressure
- WRAS 1911025

	Matte Black	29 140 979-33
	Chrome	29 140 979-00
	Brushed Platinum	29 140 979-06
	Platinum	29 140 979-08
	Dark Chrome	29 140 979-19
	Brushed Durabronze (23kt Gold)	29 140 979-28
	Brushed Bronze	29 140 979-42
	Brushed Champagne (22kt Gold)	29 140 979-46
	Champagne (22kt Gold)	29 140 979-47
	Brushed Chrome	29 140 979-93
	Brushed Dark Platinum	29 140 979-99

29 140 979



Flow rate chart



Codes & Standards

DIN 4109

ISO 3822

Scottish Water
Byelaws

UK Water Supply
Regulations

Ü-Zeichen



Two-way diverter for bath rim or tile edge installation - Matte Black

TARA

29 140 979

Certificates

LGA_29

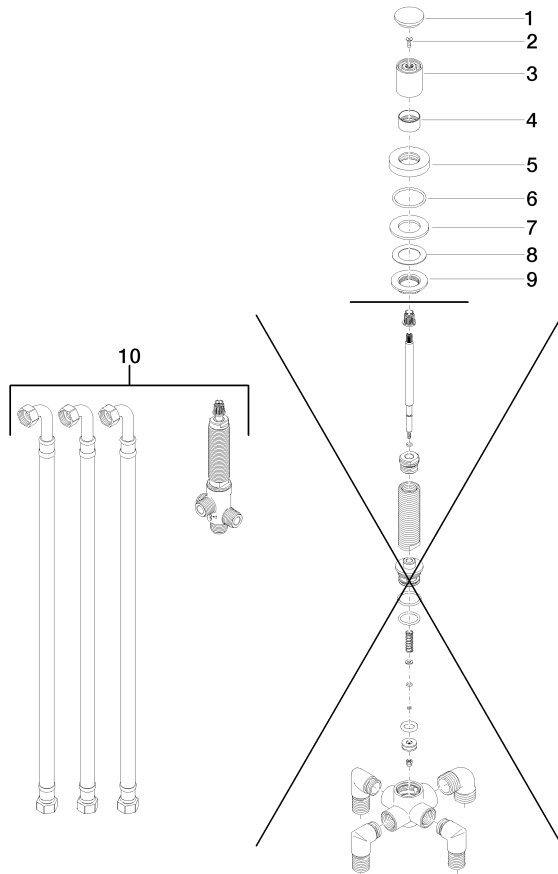
WRAS_1911

29 140 979

Product version up to 6/30/2015

Product version from 6/30/2015

Parts for other finishes can be found here: [Chrome](#)





Two-way diverter for bath rim or tile edge installation - Matte Black

TARA

29 140 979

Spare parts list

Product version up to 6/30/2015

Product version from 6/30/2015

No.	Item Number	Name	Quantity used	Delivery time
	09 20 71 003-33	handle	10	30