

# PLUG IN SWITCH

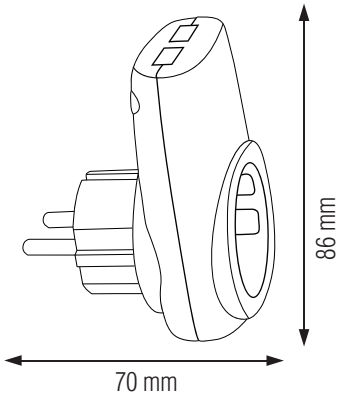
Product&amp;Family Code: 113 001 0001

**AXIS**

## Technical Data

Working Voltage	250V~
Power (W)	Max. 3680
Current (A)	16
Children Protection Shutter	YES
USB O / P	DC 5V Max. 2.1A
Materials	Plastic

## Technical Drawing



## Applications

- Use for indoors and in dry location. Residential / General-Purpose

## Features

- Working signal indicator.
- Easy to use
- One Outlet + 2xUSB

