

# Инструкция по эксплуатации

Бензиновый триммер Hitachi CG 40 EY - T ( CG40EY-T )

**Цены на товар на сайте:**

[http://hitachi.vseinstrumenti.ru/sadovaya\\_tehnika/trimmery/benzinovye/cg\\_40\\_ey\\_-\\_t\\_cg40ey-t/](http://hitachi.vseinstrumenti.ru/sadovaya_tehnika/trimmery/benzinovye/cg_40_ey_-_t_cg40ey-t/)

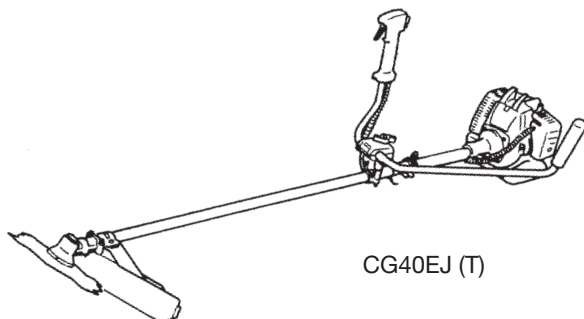
**Отзывы и обсуждения товара на сайте:**

[http://hitachi.vseinstrumenti.ru/sadovaya\\_tehnika/trimmery/benzinovye/cg\\_40\\_ey\\_-\\_t\\_cg40ey-t/#tab-Responses](http://hitachi.vseinstrumenti.ru/sadovaya_tehnika/trimmery/benzinovye/cg_40_ey_-_t_cg40ey-t/#tab-Responses)

# HITACHI

Grass Trimmer/Brush Cutter  
Rasentrimmer/Motorsense  
Χλοκοπτικό/Θάμνοκοπτικό  
Podkaszarka/Kosa spalinowa  
Benzinmotoros fűkasza/Benzinmotoros bozótvágo  
Dostřihovač trávy/Křovinořez  
Çim Kesicisi/Çalı kesicisi  
Trimmer gazon/Motocoasa  
Motorna kosa/Motorna kosa  
Травокосилка/Триммер

## CG40EJ (T) / CG40EY (T)



CG40EJ (T)



Read the manual carefully before operating this machine.  
Lesen Sie vor der Verwendung diese Anleitung sorgfältig durch.  
Διαβάστε προσεκτικά το εγχειρίδιο πριν χειριστείτε αυτό το μηχάνημα.  
Przed uruchomieniem maszyny należy dokładnie przeczytać podręcznik.  
Mielőtt a gépet használnátba venné, gondosan olvassa el a használati utasítást.  
Před použitím přístroje si návod pozorně přečtěte.  
Makineyi çalıştırmadan önce kullanım kılavuzunu dikkatlice okuyun.  
Citiți cu atenție prezentele instrucțiuni înainte de utilizarea mașinii.  
Pred uporabo naprave pazorno preberite navodila.  
Перед эксплуатацией этой машины внимательно прочтите руководство.

Handling instructions  
Bedienungsanleitung  
Οδηγίες χειρισμού  
Instrukcja obsługi  
Kezelési utasítás  
Návod k obsluze  
Kullanım talimatları

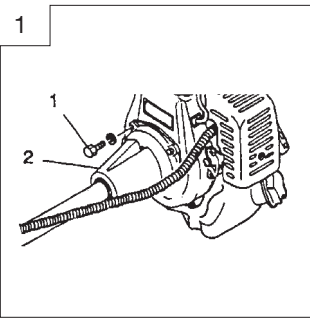
Instrucțiuni de utilizare  
Navodila za rokovanje  
Инструкция по эксплуатации

**Hitachi Koki**

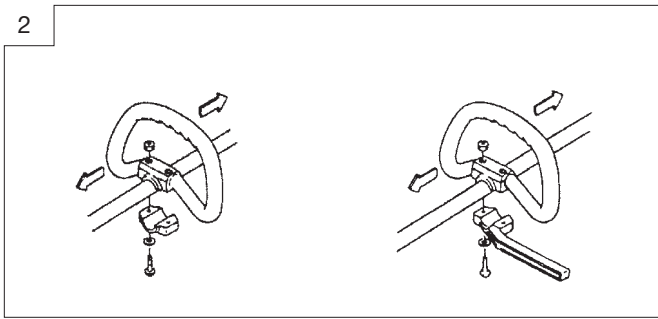
970-47871-204 2011.07



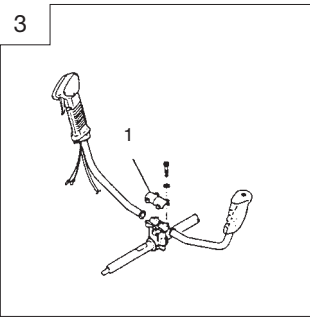
1



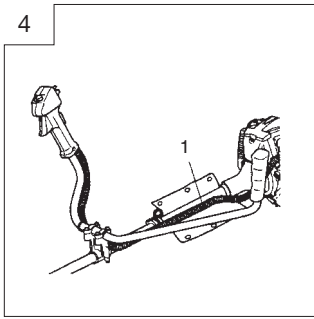
2



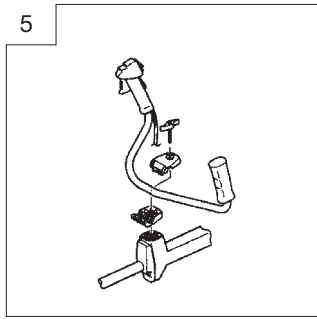
3



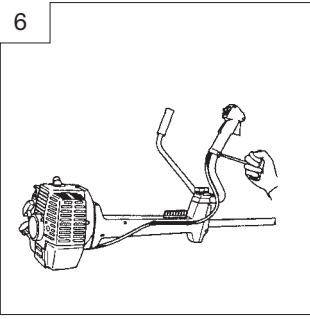
4



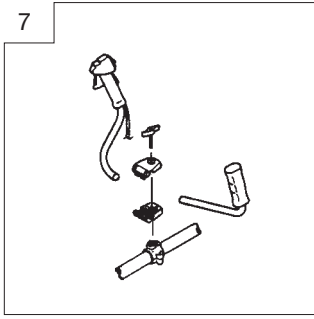
5



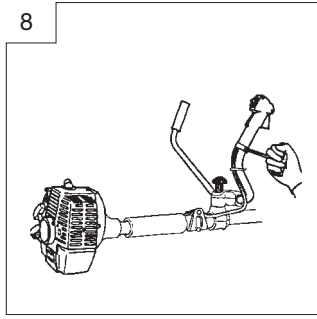
6



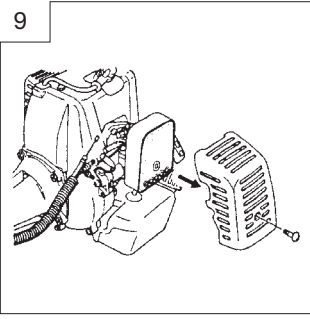
7



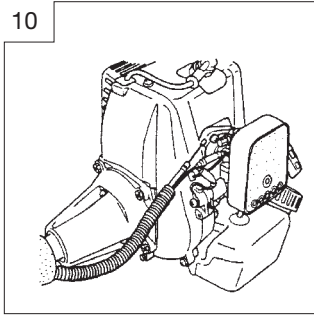
8



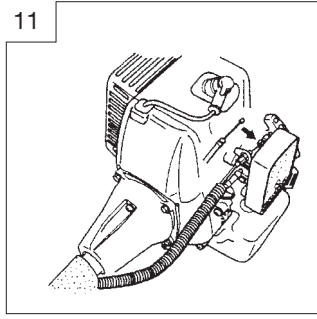
9



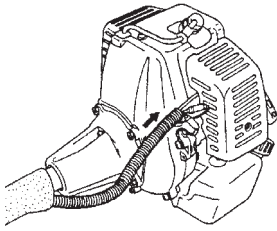
10



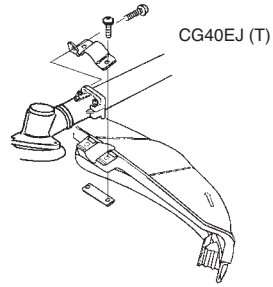
11



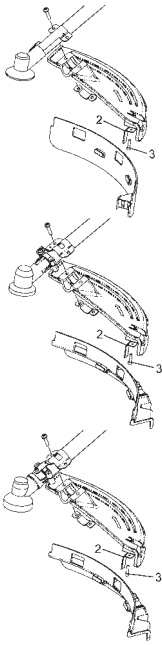
12



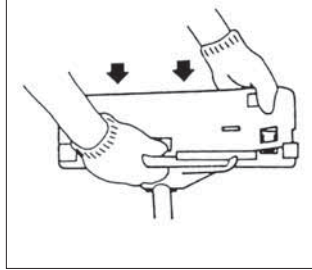
13



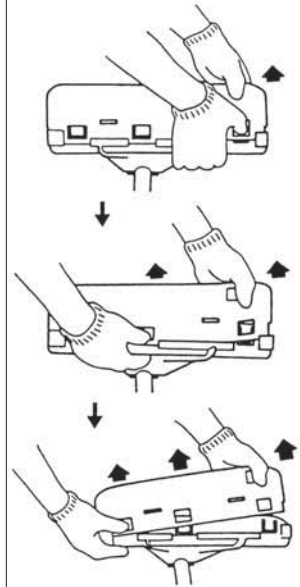
14



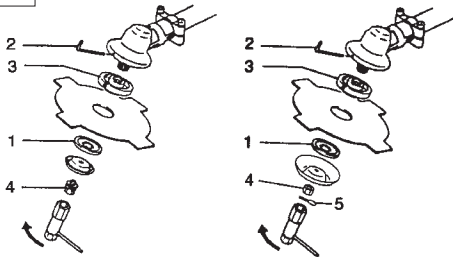
15



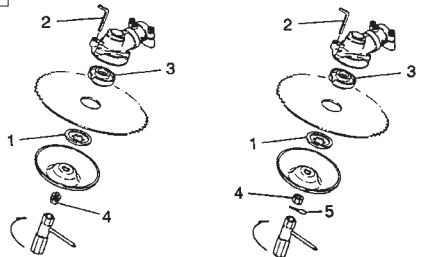
16



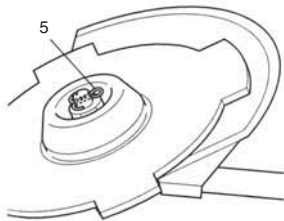
17



18



19

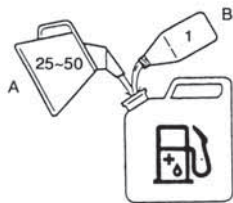


20

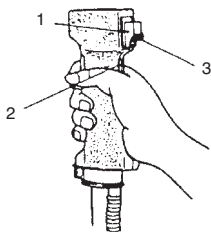


CH-100

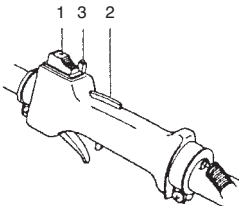
21



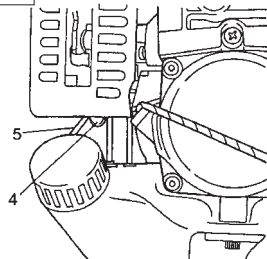
22



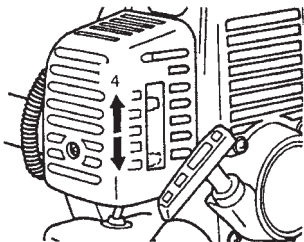
23



24



25



26



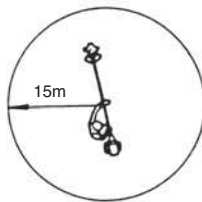
27



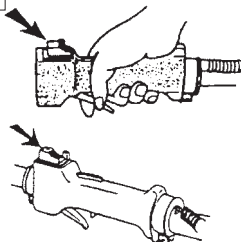
28



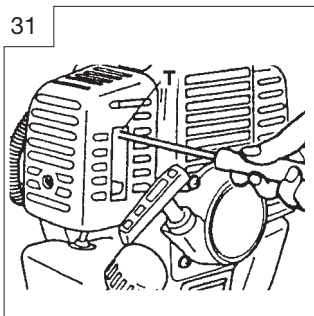
29



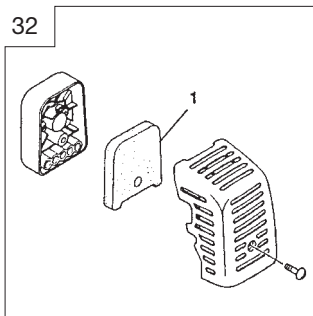
30



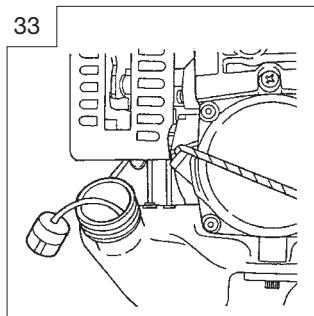
31



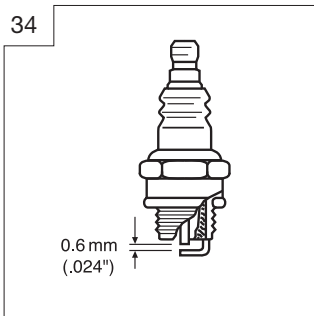
32



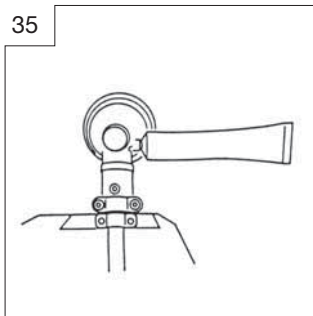
33



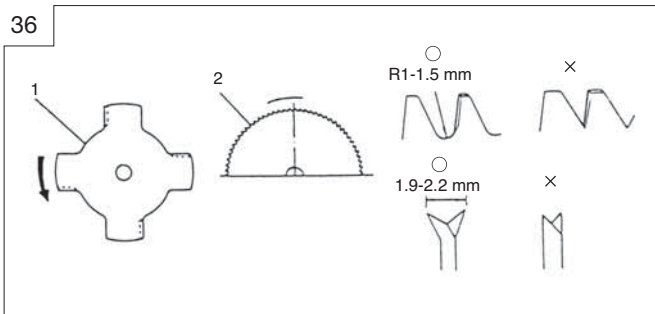
34



35











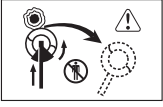



36



## Meanings of symbols

**NOTE :** Some units do not carry them.

	<p><b>Symbols</b>   <b>WARNING</b>          The following show symbols used for the machine. Be sure that you understand their meaning before use.</p>		
 	<p>It is important that you read, fully understand and observe the following safety precautions and warnings. Careless or improper use of the unit may cause serious or fatal injury.</p>		<p>Shows maximum shaft speed. Do not use the cutting attachment whose max rpm is below the shaft rpm.</p>
	<p>Read, understand and follow all warnings and instructions in this manual and on the unit.</p>		<p>Gloves should be worn when necessary, e. g., when assembling cutting equipment.</p>
	<p>Always wear eye, head and ear protectors when using this unit.</p>		<p>Use anti-slip and sturdy footwear.</p>
	<p>Do not use metal/rigid blades when this sign is shown on the unit.</p>		<p>Blade thrust may occur when the spinning blade contacts a solid object in the critical area. A dangerous reaction may occur causing the entire unit and operator to be thrust violently. This reaction is called BLADE THRUST. As a result, the operator may lose control of the unit which may cause serious or fatal injury. Blade thrust is more likely to occur in areas where it is difficult to see the material to be cut.</p>
	<p>Keep all children, bystanders and helpers 15m away from the unit. If anyone approaches you, stop the engine and cutting attachment immediately.</p>		
	<p>Be careful of thrown objects.</p>		
<p><b>Before using your machine</b></p> <ul style="list-style-type: none"> <li>• Read the manual carefully.</li> <li>• Check that the cutting equipment is correctly assembled and adjusted.</li> <li>• Start the unit and check the carburetor adjustment. See "Maintenance".</li> </ul>			

### Index

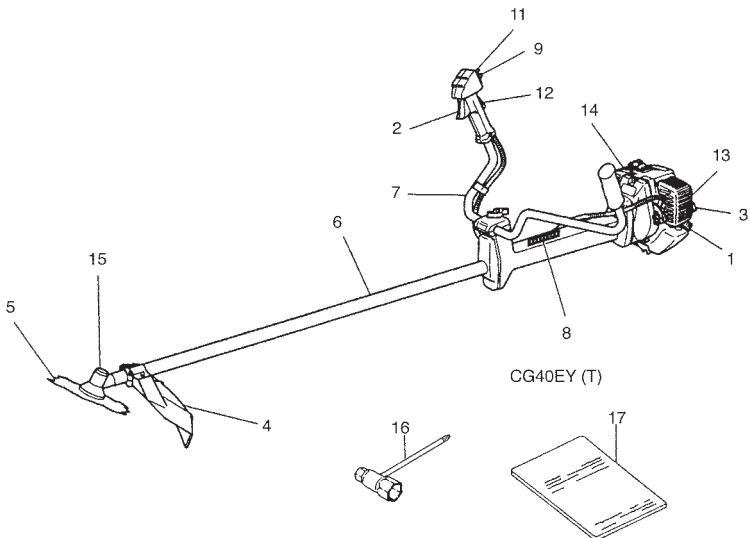
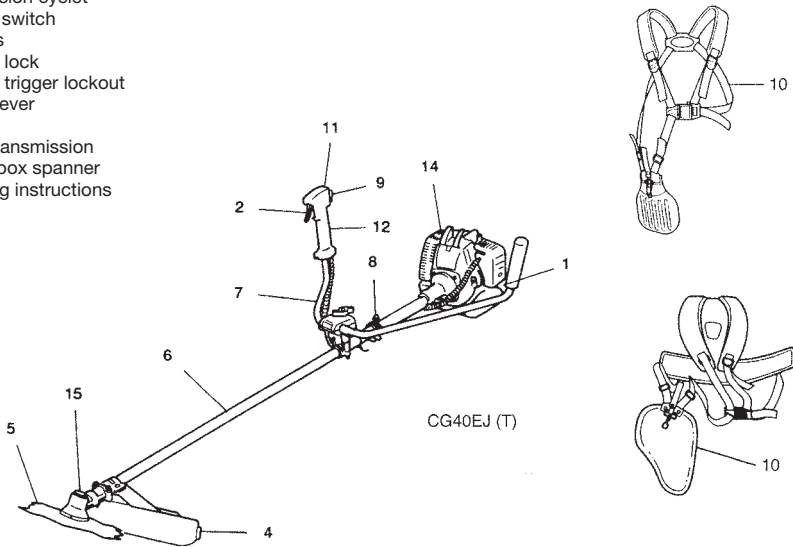
What is what?.....	2
Warnings and safety instructions .....	3
Specifications.....	4
Assembly procedures.....	5
Operating procedures .....	6
Maintenance.....	6



## What is what?

Since this manual covers several models, there may be some difference between pictures and your unit. Use the instructions that apply to your unit.

1. Fuel cap
2. Throttle trigger
3. Starter handle
4. Blade guard
5. Cutting attachment
6. Drive shaft tube
7. Handle bar
8. Suspension eyelet
9. Ignition switch
10. Harness
11. Throttle lock
12. Throttle trigger lockout
13. Choke lever
14. Engine
15. Angle transmission
16. Combi box spanner
17. Handling instructions



# Warnings and safety instructions

## Operator safety

- Always wear a safety face shield or goggles.
- Always wear heavy, long pants, boots and gloves. Do not wear loose clothing, jewelry, short pants, sandals or go barefoot. Secure hair so it is above shoulder length.
- Do not operate this tool when you are tired, ill or under the influence of alcohol, drugs or medication.
- Never let a child or inexperienced person operate the machine.
- Wear hearing protection. Pay attention to your surroundings. Be aware of any bystanders who may be signaling a problem. Remove safety equipment immediately upon shutting off engine.
- Wear head protection.
- Never start or run the engine inside a closed room or building. Breathing exhaust fumes can kill.
- Keep handles free of oil and fuel.
- Keep hands away from cutting equipment.
- Do not grab or hold the unit by the cutting equipment.
- When the unit is turned off, make sure the cutting attachment has stopped before the unit is set down.
- When operation is prolonged, take a break from time to time so that you may avoid possible whitefinger disease which is caused by vibration.

### **WARNING!**

**Antivibration systems do not guarantee that you will not sustain whitefinger disease or carpal tunnel syndrome. Therefore, continual and regular users should monitor closely the condition of their hands and fingers. If any of the above symptoms appear, seek medical advice immediately.**

### **WARNING!**

**If you are using any medical electric/electronic devices such as a pacemaker, consult your physician as well as the device manufacturer prior to operating any power equipment.**

## Unit / machine safety

- Inspect the entire unit/machine before each use. Replace damaged parts. Check for fuel leaks and make sure all fasteners are in place and securely tightened.
- Replace parts that are cracked, chipped or damaged in any way before using the unit/machine.
- Make sure blade guard is properly attachment.
- Keep others away when making carburetor adjustments.
- Use only accessories as recommended for this unit/machine by the manufacturer.

### **WARNING!**

**Never modify the unit/machine in any way. Do not use your unit/machine for any job except that for which it is intended.**

## Fuel safety

- Mix and pour fuel outdoors and where there are no sparks or flames.
- Use a container approved for fuel.
- Do not smoke or allow smoking near fuel or the unit/machine or while using the unit/machine.
- Wipe up all fuel spills before starting engine.
- Move at least 3 m away from fueling site before starting engine.
- Stop engine before removing fuel cap.
- Empty the fuel tank before storing the unit/machine. It is recommended that the fuel be emptied after each use. If fuel is left in the tank, store so fuel will not leak.
- Store unit/machine and fuel in area where fuel vapors cannot reach sparks or open flames from water heaters, electric motors or switches, furnaces. etc.

### **WARNING!**

**Fuel is easy to ignite or get explosion or inhale fumes, so that pay special attention when handling or filling fuel.**

## Cutting safety

- Do not cut any material other than grass and brush.
- Inspect the area to be cut before each use. Remove objects which can be thrown or become entangled.
- For respiratory protection, wear an aerosol protection mask when cutting the grass after insecticide is scattered.
- Keep others including children, animals, bystanders and helpers outside the 15 m hazard zone. Stop the engine immediately if you are approached.
- Always keep the engine on the right side of your body.
- Hold the unit/machine firmly with both hands.
- Keep firm footing and balance. Do not over-reach.
- Keep all parts of your body away from the muffler and cutting attachment when the engine is running.
- Keep cutting attachment below waist level.
- When relocating to a new work area, be sure to shut off the machine and ensure that all cutting attachments are stopped.
- Never place the machine on the ground when running.
- Always ensure that the engine is shut off and any cutting attachments have completely stopped before clearing debris or removing grass from the cutting attachment.
- Always carry a first-aid kit when operating any power equipment.
- Never start or run the engine inside a closed room or building and/or near the inflammable liquid. Breathing exhaust fumes can kill.

## Maintenance safety

- Maintain the unit/machine according to recommended procedures.
- Disconnect the spark plug before performing maintenance except for carburetor adjustments.
- Keep others away when making carburetor adjustments.
- Use only genuine HITACHI replacement parts as recommended by the manufacturer.

## CAUTION!

Do not disassemble the recoil starter. You may get a possibility of personal injury with recoil spring.

## Transport and storage

- Carry the unit/machine by hand with the engine stopped and the muffler away from your body.
- Allow the engine to cool, empty the fuel tank, and secure the unit/machine before storing or transporting in a vehicle.
- Empty the fuel tank before storing the unit/machine. It is recommended that the fuel be emptied after each use. If fuel is left in the tank, store so fuel will not leak.
- Store unit/machine out of the reach of children.
- Clean and maintenance the unit carefully and store it in a dry place
- Make sure engine switch is off when transporting or storing.
- When transporting in a vehicle or storage, cover blade with blade cover.

If situations occur which are not covered in this manual, take care and use common sense. Contact HITACHI dealer if you need assistance. Pay special attention to statements preceded by the following words:

### **WARNING!**

**Indicates a strong possibility of severe personal injury or loss of life, if instructions are not followed.**

## CAUTION!

Indicates a possibility of personal injury or equipment damage, if instructions are not followed.

## NOTE!

Helpful information for correct function and use.

## Specifications

MODEL		CG40EY (T)	CG40EJ (T)
Engine			
Displacement (cm <sup>3</sup> ) (ml)		39.8	
spark plug		NGK BPM6A or equivalent	
Idling speed (min <sup>-1</sup> )		2,800	
Recommended max. speed (min <sup>-1</sup> )		11,000	
Speed of output shaft (min <sup>-1</sup> )		8,300	
Max. engine output (kW)		1.31 (@7000 min <sup>-1</sup> )	
Fuel tank capacity (cm <sup>3</sup> ) (ml)		1,000	
Dry weight (kg)		8.3	7.7
Cutting attachment	Type / Dia.(mm)	Metal blade 3Tx305	Metal blade 3Tx305
Sound pressure level LpA (dB (A))	(ISO 22868)		
	Equivalent	93.7	93.7
	Uncertainty	0.2	0.2
Measured Sound power level LwA (dB (A))	(ISO 22868 )		
	Equivalent	104	104
Guaranteed Sound Power level LwA (dB (A))	(2000/14/EC)		
	Racing	116	116
Vibration level (m/s <sup>2</sup> )	(ISO 22867)		
Equivalent (Front handle/Left handle)		1.3	2.2
Equivalent (Rear handle/Right handle)		1.1	2.3
Uncertainty		1.5	1.5
Idling (Front handle/Left handle)		1.2	2.2
Idling (Rear handle/ Right handle)		1.2	2.3
Racing (Front handle/Left handle)		1.3	2.2
Racing (Rear handle/ Right handle)		0.9	2.3

NOTE : Sound levels are calculated as the time-weighted energy total under various working conditions with the following time distribution: 1/2 idle, 1/2 racing.

\* All data subject to change without notice.

## Assembly procedures

### Drive shaft to engine (Fig. 1)

Attach the engine to the clutch case (2) with the four screws or bolts (1) provided.

### Installation of handle (Fig. 2)

Attach the handle to the drive shaft tube with the angle towards the engine.

Adjust the location to the most comfortable position but not too close to power head before operation.

#### NOTE!

If your unit has handle location label on drive shaft tube, follow indication.

### Installation of handle (Fig. 3, 4)

Remove the handle bracket (1) from the assembly. (Fig. 3)

Place the handles and attach the handle bracket with four bolts lightly. Adjust to appropriate position. Then fix it firmly with the bolts.

Unhook the hip pad and wrap the tubed stop cords and throttle wire (1) with it. (Fig. 4)

#### NOTE for CG40EY (T) (Fig. 5, 6)

The drive shaft and the engine of this model are pre-assembled at the factory. All you have to do is attach throttle grip on the handle with a screw and a nut and then install it on the handle brackets. Finger-tighten the knob nut securely.

### Installation handle for CG40EJ (T) (Fig. 7, 8)

Place the handles and attach the handle bracket with the handle knob lightly. Adjust appropriate position. Then fix it firmly with the handle knob.

Attach throttle grip on the handle with a screw and nut.

#### NOTE

Fix protection tube on drive shaft or handle using cord clamps.

### Throttle wire / stop cord

Remove air cleaner cover. (Fig. 9)

Connect stop cords. (Fig. 10)

Connect throttle wire end to carburetor. (Fig. 11)

Cover throttle wire and stop cords together with protective tube provided up to air cleaner cover. (Fig. 12)

### Installation of blade guard (Fig. 13, 14, 15, 16)

#### NOTE!

The guard bracket may come already mounted to the gear case on some models.

Install the blade guard on drive shaft tube against angle transmission. Tighten the guard bracket firmly so that the blade guard does not swing or move down during operation.

#### CAUTION!

Some blade guards are equipped with sharp line limiters. Be careful with handling it.

#### NOTE! (Fig. 14)

When using HITACHI aluminum head (CH-100 or CH-300) on your unit, the sharp line limiter (2) which is included in the tool bag, should be securely fastened to the blade guard using the bolt shown (3).

When using a trimmer head with two piece type blade guard, attach the guard extension to the blade guard. (Fig. 15)

#### NOTE!

When attaching the guard extension to the blade guard, the sharp line limiter must be removed from the blade guard, (if so installed).

#### NOTE!

If your unit has guard location label on drive shaft tube, follow the indication.

#### NOTE!

To remove the guard extension, refer to the drawings. Wear gloves as the extension has a sharp line limiter, then push the four square tabs on the guard one by one in order. (Fig. 16)

### Installation of cutting blade (Fig. 17, 18)

(If so equipped)

When installing a cutting blade, make sure that there are no cracks or any damage in it and that the cutting edges are facing the correct direction.

#### NOTE!

When installing cutter holder cap (1), be sure to set concave side upward.

Insert the allen wrench (2) into the hole of the angle transmission in order to lock the cutter holder (3). Please note that the cutter fixing bolt or nut (4) has left-handed threads, (clockwise to loosen/ counter-clockwise to tighten). Tighten the fixing bolt or nut with the combi box spanner.

#### NOTE!

If your unit is of a nut securing type and equipped with a cotter pin, the blade must be retained with a new cotter pin (5) each time installed. (Fig. 19)

#### CAUTION!

Before operation, make sure the blade has been properly installed.

#### CAUTION!

If your unit is equipped with protection cover under a cutting blade, check it for wear or cracks before operation. If any damage or wear is found, replace it, as it is an article of consumption.

### Installation of the BRAIN cutting head

#### NOTE!

For installation see your BRAIN Owner's manual, provided with the BRAIN cutting head.

#### WARNING!

For HITACHI BRAIN heads or HITACHI alloy head, use only flexible, non-metallic line recommended by the manufacturer. Never use wire or wire ropes. They can break off and become a dangerous projectile.

#### NOTE!

When using HITACHI alloy head (CH-100), initial cutting line length should be about 17cm each. (Fig. 20)

---

# Operating procedures

---

## Fuel (Fig. 21)

### WARNING!

- **The trimmer is equipped with a two-stroke engine. Always run the engine on fuel, which is mixed with oil. Provide good ventilation, when fueling or handling fuel.**
- **Fuel contains highly flammable and it is possible to get the serious personal injury when inhaling or spilling on your body. Always pay attention when handling fuel. Always have good ventilation when handling fuel inside building.**

## Fuel

- Always use branded 89 octane unleaded gasoline.
- Use genuine two-cycle oil or use a mix between 25:1 to 50:1, please consult the oil bottle for the ratio or HITACHI dealer.
- If genuine oil is not available, use an anti-oxidant added quality oil expressly labeled for air-cooled 2-cycle engine use (JASO FC GRADE OIL or ISO EGC GRADE). Do not use BIA or TCW (2-stroke water-cooling type) mixed oil.
- Never use multi-grade oil (10 W/30) or waste oil.
- Always mix fuel and oil in a separate clean container.

Always start by filling half the amount of fuel, which is to be used. Then add the whole amount of oil. Mix (shake) the fuel mixture. Add the remaining amount of fuel. Mix (shake) the fuel-mix thoroughly before filling the fuel tank.

## Fueling

### WARNING!

- **Always shut off the engine before refueling.**
- **Slowly open the fuel tank, when filling up with fuel, so that possible over-pressure disappears.**
- **Tighten the fuel cap carefully, after fueling.**
- **Always move the trimmer at least 3 m (10 ft.) from the fueling area before starting.**
- **Always Wash any spilled fuel from clothing immediately with soap.**
- **Be sure to check any fuel leaking after refueling.**

Before fueling, clean the tank cap area carefully, to ensure that no dirt falls into the tank. Make sure that the fuel is well mixed by shaking the container, before fueling.

## Starting (Fig. 22, 23, 24, 25)

### CAUTION!

Before starting, make sure the cutting attachment does not touch anything.

1. Set ignition switch (1) to ON position. (Fig. 22, 23)  
\* Push priming bulb (4) several times so that fuel flows through return pipe (5) (If so equipped) (Fig. 24)
2. With the throttle trigger lockout (2) pressed(if so equipped), pull throttle trigger and push throttle lock (3), then slowly release the throttle trigger then throttle trigger lockout. This is will lock the throttle in starting position. (Fig. 22, 23)
3. Set choke lever to CLOSED position (4). (Fig. 25)
4. Pull recoil starter briskly, taking care to keep the handle in your grasp and not allowing it to snap back.
5. When you hear the engine want to start, return choke lever to RUN position (open). Then pull recoil starter briskly again.

## NOTE!

If engine does not start, repeat procedures from 2 to 5.

6. After starting engine, pull throttle trigger to release throttle lock.  
Then allow the engine about 2-3 minutes to warm up before subjecting it to any load.

## Cutting (Fig. 26, 27, 28, 29)

- When cutting, operate engine at over 6500 rpm. Extended time of use at low rpm may wear out the clutch prematurely.
- Cut grass from right to left.
- Blade thrust may occur when the spinning blade contacts a solid object in the critical area.  
A dangerous reaction may occur causing the entire unit and operator to be thrust violently. This reaction is called BLADE THRUST. As a result, the operator may lose control of the unit which may cause serious or fatal injury. Blade thrust is more likely to occur in areas where it is difficult to see the material to be cut.
- Wear the harness as shown in the figure (if so equipped). The blade turns counter-clockwise, therefore, be advised to operate the unit from right to left for efficient cutting. Keep onlookers out of working area at least 15 m (50 ft.).

## NOTE!

Press the quick release button or pull emergency release flap (If so equipped) in the event of emergency. (Fig. 28)

### WARNING!

**If cutting attachment should strike against stones or other debris, stop the engine and make sure that the attachment and related parts are undamaged. When grass or vines wrap around attachment, stop engine and attachment and remove them.**

## Stopping (Fig. 30)

- Decrease engine speed and run at an idle for a few minutes, then turn off ignition switch.

### WARNING!

**A cutting attachment can injure while it continues to spin after the engine is stopped or power control is released. When the unit is turned off, make sure the cutting attachment has stopped before the unit is set down.**

---

# Maintenance

---

**MAINTENANCE, REPLACEMENT, OR REPAIR OF THE EMISSION CONTROL DEVICES AND SYSTEMS MAY BE PERFORMED BY ANY NON-ROAD ENGINE REPAIR ESTABLISHMENT OR INDIVIDUAL.**

## Carburetor adjustment (Fig. 31)

### WARNING!

**The cutting attachment may be spinning during carburetor adjustments.**

**⚠ WARNING!**

**Never start the engine without the complete clutch cover and tube assembled! Otherwise the clutch can come loose and cause personal injuries.**

In the carburetor, fuel is mixed with air. When the engine is test run at the factory, the carburetor is basically adjusted. A further adjustment may be required, according to climate and altitude. The carburetor has one adjustment possibility:

**T = Idle speed adjustment screw.**

**Idle speed adjustment (T)**

Check that the air filter is clean. When the idle speed is correct, the cutting attachment will not rotate. If adjustment is required, close (clockwise) the T-screw, with the engine running, until the cutting attachment starts to rotate. Open (counter-clockwise) the screw until the cutting attachment stops. You have reached the correct idle speed when the engine runs smoothly in all positions well below the rpm when the cutting attachment starts to rotate. If the cutting attachment still rotates after idle speed adjustment, contact HITACHI dealer.

**NOTE!**

Standard Idle rpm is 2500-3000 rpm.

**NOTE!**

Some models sold areas with strict exhaust emission regulation do not have high and low speed carburetor adjustments. Such adjustments may allow the engine to be operated outside of their emission compliance limits. For these models, the only carburetor adjustment is idle speed.

For models that equipped with low and high speed adjustments; carburetors are pre set at the factory. Minor adjustments may optimize performance based on climate, altitude, etc. Never turn the adjustment screws in increments greater than 90 degrees, as engine damage can result from incorrect adjustment. If you are not familiar with type of adjustment-assistance HITACHI dealer.

**⚠ WARNING!**

**When the engine is idling the cutting attachment must under no circumstances rotate.**

**Air filter (Fig. 32)**

The air filter must be cleaned from dust and dirt in order to avoid:

- Carburetor malfunctions.
- Starting problems.
- Engine power reduction.
- Unnecessary wear on the engine parts.
- Abnormal fuel consumption.

Clean the air filter daily or more often if working in exceptionally dusty areas.

**Cleaning the air filter**

Remove the air filter cover and the filter (1). Rinse it in warm soap suds. Check that the filter is dry before reassembly. An air filter that has been used for some time cannot be cleaned completely. Therefore, it must regularly be replaced with a new one. A damaged filter must always be replaced.

**Fuel filter (Fig. 33)**

Drain all fuel from fuel tank and pull fuel filter line from tank. Pull filter element out of holder assembly and rinse element in warm water with detergent.

Rinse thoroughly until all traces of detergent are eliminated.

Squeeze, do not wring, away excess water and allow element to air dry.

**NOTE!**

If element is hard due to excessive dirt buildup, replace it.

**Spark plug (Fig. 34)**

The spark plug condition is influenced by:

- An incorrect carburetor setting.
- Wrong fuel mixture (too much oil in the gasoline)
- A dirty air filter.
- Hard running conditions (such as cold weather).

These factors cause deposits on the spark plug electrodes, which may result in malfunction and starting difficulties. If the engine is low on power, difficult to start or runs poorly at idling speed, always check the spark plug first. If the spark plug is dirty, clean it and check the electrode gap. Re-adjust if necessary. The correct gap is 0.6 mm. The spark plug should be replaced after about 100 operation hours or earlier if the electrodes are badly eroded.

**NOTE!**

In some areas, local law requires using a resistor spark plug to suppress ignition signals. If this machine was originally equipped with resistor spark plug, use same type of spark plug for replacement.

**Angle transmission (Fig. 35)**

Check angle transmission or angle gear for grease level about every 50 hours of operation by removing the grease filler plug on the side of angle transmission.

If no grease can be seen on the flanks of the gears, fill the transmission with quality lithium based multipurpose grease up to 3/4. Do not completely fill the transmission.

## Blade (Fig. 36)

### **WARNING!**

**Wear protective gloves when handling or performing maintenance on the blade.**

- Use a sharp blade. A dull blade is more likely to snag and thrust. Replace the fastening nut if it is damaged and hard to tighten.
- When replacing blade, purchase one recommended by HITACHI, with a 25.4mm (one inch) fitting hole.
- When installing saw blade (2), always face the stamped side up. In the case of a 4 tooth blade (1), it can be used on either side.
- Use correct blade for the type of work.
- When replacing blade, use appropriate tools.
- When cutting edges become dull, re-sharpen or file as shown in figure. Incorrect sharpening may cause excessive vibration.
- Discard blades that are bent, warped, cracked, broken or damaged in any way.

### **NOTE!**

When sharpening blade it is important to maintain an original shape of radius at the base of the tooth to avoid cracking.

## **Maintenance schedule**

Below you will find some general maintenance instructions. For further information please contact HITACHI dealer.

### **Daily maintenance**

- Clean the exterior of the unit.
- Check that the harness is undamaged.
- Check the blade guard for damage or cracks. Change the guard in case of impacts or cracks.
- Check that the cutting attachment is properly centred, sharp, and without cracks. An off- centred cutting attachment induces heavy vibrations that may damage the unit.
- Check that the cutting attachment nut is sufficiently tightened.
- Make sure that the blade transport guard is undamaged and that it can be securely fitted.
- Check that nuts and screws are sufficiently tightened.

### **Weekly maintenance**

- Check the starter, especially cord.
- Clean the exterior of the spark plug.
- Remove the spark plug and check the electrode gap. Adjust it to 0.6 mm or change the spark plug.
- Check that the air intake at the starter is not clogged.
- Check that the angle gear is filled with grease up to 3/4.
- Clean the air filter.

### **Monthly maintenance**

- Rinse the fuel tank with gasoline, and clean fuel filter.
- Clean the exterior of the carburetor and the space around it.


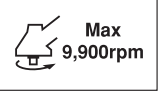





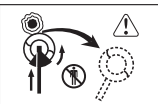


## **Quarterly maintenance**

- Clean the cooling fins on the cylinder.
- Clean the fan and the space around it.
- Clean the muffler of carbon.

### **CAUTION**

Cleaning of cylinder fins, fan and muffler shall be done by a HITACHI Authorized Service Center.

**Symbolbedeutungen****HINWEIS** : Nicht alle Geräte sind mit diesen Symbolen versehen.

	<p><b>Symbole</b></p> <p><b>⚠️ WARNUNG</b></p> <p>Die folgenden Symbole werden für diese Maschine verwendet. Achten Sie darauf, diese vor der Verwendung zu verstehen.</p>		
	<p>Es ist wichtig, dass Sie sich mit den nachfolgenden Vorsichtsmaßnahmen und Warnungen vertraut machen und diese befolgen. Unvorsichtige oder unsachgemäße Handhabung des Geräts kann schwere oder tödliche Verletzungen zur Folge haben.</p>		<p>Zeigt die maximale Drehzahl der Welle an. Verwenden Sie kein Schneidzubehör, dessen Maximaldrehzahl unter diesem Wert liegt.</p>
	<p>Lesen, verstehen und befolgen Sie alle Warnungen und Anweisungen in dieser Anleitung und am Gerät selbst.</p>		<p>Handschuhe sind dann zu tragen, wenn dies notwendig ist, z.B. bei der Montage der Schneidausrüstung.</p>
	<p>Bei Gebrauch des Geräts immer Gesicht-, Kopf- und Gehörschutz tragen.</p>		<p>Rutschfestes Schuhwerk tragen, das guten Halt bietet.</p>
	<p>Wenn dieses Zeichen am Gerät angebracht ist, keine starren Messer/ Metallmesser verwenden.</p>		<p>Ein Messerstoß ist möglich, wenn das rotierende Messer im kritischen Bereich mit einem massiven Gegenstand in Berührung kommt. In diesem Fall kann es zu einer gefährlichen Reaktion kommen, bei der das gesamte Gerät und der Bediener einem heftigen Stoß ausgesetzt werden. Diese Reaktion wird als Messerstoß bezeichnet. Das Resultat ist u.U., dass der Bediener die Kontrolle über das Gerät verliert und schwere oder lebensgefährliche Verletzungen davonträgt. Messerstöße sind in Arbeitsbereichen, wo das zu schneidende Vegetationsmaterial nur schwer einsehbar ist, wahrscheinlicher.</p>
	<p>Kinder und Zuschauer in einem Abstand von 15 m vom Gerät halten. Falls sich jemand nähert, den Motor und das Zubehör sofort ausschalten.</p>		
	<p>Auf hochgeschleuderte Gegenstände achten.</p>		
<p><b>Vor dem Gebrauch Ihres neuen Gerätes</b></p> <ul style="list-style-type: none"> <li>• Bedienungsanleitung genau durchlesen.</li> <li>• Montage und Einstellung der Schneidausrüstung kontrollieren.</li> <li>• Das Gerät starten und die Vergasereinstellung prüfen. Siehe "Wartung".</li> </ul>			

**Inhalt**

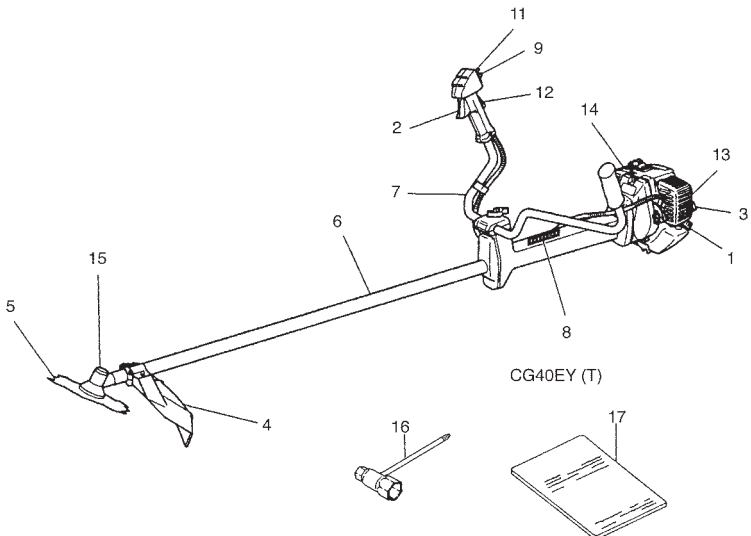
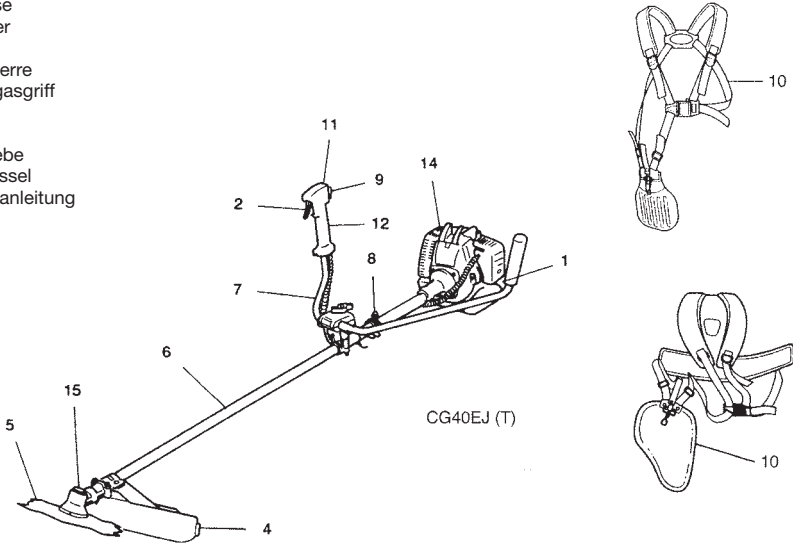
Teilebezeichnungen .....	2
Warn- und Sicherheitshinweise .....	3
Technische Daten .....	4
Zusammenbau .....	5
Betrieb .....	6
Wartung .....	7



## Teilebezeichnungen

Da dieses Handbuch für mehrere Modelle gilt, können die Abbildungen gegebenenfalls von Ihrem Gerät abweichen. Verwenden Sie die für Ihr Gerät geltenden Anweisungen.

1. Benzintank
2. Gashebel
3. Startgriff
4. Messerschutz
5. Schneid-Vorsatzgerät
6. Antriebswellenrohr
7. Griff
8. Tragegurtöse
9. Zündschalter
10. Tragegurt
11. Gashebelsperre
12. Sicherheitsgasgriff
13. Chokehebel
14. Motor
15. Winkelgetriebe
16. Kombischlüssel
17. Bedienungsanleitung



# Warn- und Sicherheitshinweise

## Bediensicherheit

- Immer einen Gesichtsschutz bzw. eine Schutzbrille tragen.
- Stets schwere lange Hosen, Stiefel und Handschuhe tragen. Das Arbeiten mit lockerer Kleidung, Schmuck, kurzen Hosen, Sandalen oder barfuß ist zu vermeiden. Das Haar ist so zu sichern, dass es nicht bis zu den Schultern herunterhängt.
- Das Gerät darf nicht von Personen bedient werden, die übermäßig oder krank sind oder unter Alkohol- oder Medikamenteneinfluss stehen.
- Unter keinen Umständen zulassen, dass ein Kind oder eine unerfahrene Person mit dem Gerät arbeitet.
- Gehörschutz tragen. Die Umgebung im Auge behalten. Auf Beistehende achten, die unter Umständen ein Problem signalisieren. Die Schutzbekleidung erst nach Abstellen des Motors wieder ablegen.
- Tragen Sie Kopfschutz.
- Der Motor darf nie innerhalb geschlossener Räume oder Gebäude gestartet bzw. betrieben werden. Einatmen der Abgase kann den Tod zur Folge haben.
- Die Griffe frei von Öl und Kraftstoff halten.
- Hände von den Schneidern fernhalten.
- Das Gerät nicht an der Schneidgaritur fassen bzw. halten.
- Das Gerät nach dem Ausschalten des Motors erst am Boden abstellen, wenn das Schneidwerkzeug zum Stillstand gekommen ist.
- Bei Dauereinsatz von Zeit zu Zeit eine Pause einlegen als vorbeugende Maßnahme gegen die Weißflückerkrankheit, die durch ständige Vibration verursacht wird.

## ⚠️ WARNUNG

Vibrationsdämpfungssysteme sind kein garantierter Schutz gegen die Weißflückerkrankheit bzw. das Karpaltunnelsyndrom. Daher ist bei regelmäßigem Dauereinsatz des Geräts der Zustand von Fingern und Handwurzel aufmerksam zu beobachten. Falls Symptome der obengenannten Krankheiten auftreten, sofort einen Arzt aufsuchen.

## ⚠️ WARNUNG

Träger eines medizinischen elektrischen bzw. elektronischen Geräts (Herzschrittmacher u. dgl.) sollten sich vor dem Gebrauch eines Motorgeräts von Ihrem Arzt sowie dem Hersteller des Geräts diesbezüglich beraten lassen.

## Geräte-/Maschinensicherheit

- Das Gerät vor jedem Einsatz einer eingehenden Kontrolle unterziehen. Beschädigte Teile ersetzen. Das Gerät auf auslaufenden Kraftstoff untersuchen und sicherstellen, dass alle Befestigungsteile vorhanden und sicher angezogen sind.
- Gerissene, ausgebrochene oder auf andere Weise beschädigte Teile sind vor dem Einsatz des Gerätes durch neue zu ersetzen.
- Achten Sie darauf, dass der Klingenschutz ordnungsgemäß befestigt ist.
- Während der Vergasereinstellung dürfen sich andere Personen nicht in der Nähe aufhalten.
- Nur das vom Hersteller für dieses Gerät empfohlene Zubehör darf verwendet werden.

## ⚠️ WARNUNG

Keinesfalls das Gerät in irgendeiner Weise abändern. Das Gerät nur für die Zwecke verwenden, für die es bestimmt ist.

## Kraftstoffsicherheit

- Kraftstoff im Freien und von Funken und Feuer entfernt mischen und einfüllen.
- Einen für Kraftstoff zugelassenen Behälter verwenden.
- In der Nähe des Kraftstoffes, des Geräts sowie beim Arbeiten mit dem Gerät ist das Rauchen zu unterlassen.
- Vor dem Starten des Motors muss eventuell verschütteter Kraftstoff restlos entfernt werden.
- Zum Starten des Motors das Gerät mindestens 3 m von der Kraftstoff einfüllstelle entfernen.
- Vor dem Abnehmen des Tankdeckels den Motor ausschalten.
- Vor der Einlagerung des Geräts den Kraftstoff tank leeren. Es wird empfohlen, den Kraftstoff nach jedem Einsatz abzulassen. Mit gefülltem Tank ist das Gerät so zu lagern, dass kein Kraftstoff ausläuft.
- Gerät und Kraftstoff an einem Ort lagern, wo Kraftstoff dämpfe nicht mit Funken oder offenen Flammen von Wassererhitzern, Elektromotoren oder elektrischen Schaltern, Öfen usw. in Berührung kommen können.

## ⚠️ WARNUNG!

Kraftstoff ist leicht entflammbar, kann explodieren und schadet den Atemwegen, weshalb bei der Handhabung von und der Befüllung mit Kraftstoff entsprechend umsichtig vorzugehen ist.

## Schnellsicherheit

- Das Gerät nur zum Mähen von Gras und zum Schneiden von Buschwerk und Unterholz einsetzen.
- Vor jedem Gebrauch die zu mähende Fläche inspizieren. Gegenstände entfernen, die hochgeschleudert werden oder sich im Mähkopf verfangen könnten.
- Zum Schutz der Atmungsorgane beim Mähen von Gras, auf dem Insektenvernichtungsmittel versprüht wurde, eine Aerosolschutzmaske tragen.
- Kinder, Tiere, Umstehende, Helfer usw. dürfen sich nicht innerhalb der 15 m-Gefahrenzone aufhalten. Den Motor sofort abstellen, wenn sich jemand nähert.
- Der Motor muss sich immer auf der rechten Körperseite befinden.
- Gerät fest mit beiden Händen halten.
- Auf sicheren Stand und gutes Gleichgewicht achten. Nicht zu weit vorbeugen.
- Schneidwerkzeug und Schalldämpfer bei laufendem Motor vom Körper fernhalten.
- Die Schneidgaritur stets unter der Gürtellinie halten.
- Bei Standortwechseln unbedingt den Motor ausschalten und sicherstellen, dass das Schneidwerkzeug still steht.
- Das Gerät niemals mit laufendem Motor auf dem Boden abstellen.
- Vor dem Entfernen von Schmutz oder Gras vom Schneidwerkzeug den Motor ausschalten und sicherstellen, dass die Kette zum Stillstand gekommen ist.
- Beim Arbeiten mit Motorgeräten stets einen Verbandskasten mitführen.
- Der Motor darf nie innerhalb geschlossener Räume oder Gebäude und/oder in der Nähe entflammbarer Flüssigkeiten gestartet bzw. betrieben werden. Einatmen der Abgase kann den Tod zur Folge haben.

## Wartungssicherheit

- Das Gerät vorschriftsmäßig warten.
- Vor Durchführung von Wartungsarbeiten die Zündkerze entfernen, sofern es sich nicht um eine Vergasereinstellung handelt.
- Während der Vergasereinstellung dürfen sich andere Personen nicht in der Nähe aufhalten.
- Nur Original-Ersatzteile von HITACHI verwenden, wie vom Hersteller empfohlen.

## VORSICHT

Den Zugstarter nicht zerlegen. Die Feder der Vorrichtung kann Verletzungen verursachen.

## Transport und Lagerung

- Das Gerät mit ausgeschaltetem Motor tragen und den Schalldämpfer vom Körper fernhalten.
- Den Motor abkühlen lassen, den Kraftstoff tank entleeren und das Gerät sichern, bevor es gelagert oder in einem Fahrzeug transportiert wird.
- Vor der Einlagerung des Geräts den Kraftstoff tank leeren. Es wird empfohlen, den Kraftstoff nach jedem Einsatz abzulassen. Mit gefülltem Tank ist das Gerät so zu lagern, dass kein Kraftstoff ausläuft.
- Das Gerät so lagern, dass es nicht in Kinderhände gerät.
- Das Gerät sorgfältig reinigen und warten, um es dann an einem trockenen Ort zu lagern.
- Bei Transport oder Lagerung darauf achten, dass der Zündschalter ausgeschaltet ist.
- Beim Transport in einem Fahrzeug den Klingenschutz auf die Klinge aufsetzen.

In Situationen, die nicht in dieser Anleitung behandelt sind, entsprechende Vor- und Umsicht walten lassen. Sollten Sie Hilfe benötigen, wenden Sie sich an Ihren HITACHI-Fachhändler. Abschnitte, denen besondere Aufmerksamkeit gewidmet werden sollte, werden durch folgende Wörter hervorgehoben:

## ⚠️ WARNUNG

**Kennzeichnet Anweisungen, deren Nichtbefolgung eine schwere Verletzung oder den Tod zur Folge haben kann.**

## VORSICHT

Kennzeichnet Anweisungen, deren Nichtbefolgung eine Verletzung oder Sachschaden zur Folge haben kann.

## HINWEIS

Kennzeichnet nützliche Informationen für den vorschriftsmäßigen Gebrauch.

## Tenchnische Daten

MODELL		CG40EY (T)	CG40EJ (T)
Motor			
Hubvolumen (cm <sup>3</sup> ) (ml)		39.8	
Zündkerze		NGK BPM6A oder äquivalen	
Leerlaufdrehzahl (min <sup>-1</sup> )		2,800	
Empfohlene Maximaldrehzahl (min <sup>-1</sup> )		11,000	
Drehzahl der Ausgangswelle (min <sup>-1</sup> )		8,300	
Max. Motorleistung (kW)		1.31 (@7000 min <sup>-1</sup> )	
Kraftstoff tankvolumen (cm <sup>3</sup> ) (ml)		1,000	
Trockengewicht (kg)		8.3	7.7
Schneid-Vorsatzgerät	Typ / Durchm.(mm)	Metallklinge 3Tx305	Metallklinge 3Tx305
Schalldruckpegel LpA (dB (A))	(ISO 22868) Äquivalen Unsicherheit	93.7 0.2	93.7 0.2
Gemessener Schallpegel LwA (dB (A))	(ISO 22868 ) Äquivalen Unsicherheit	104	104
Garantierter Schallpegel LwA (dB (A))	(2000/14/EC) Volllast	116	116
Vibrationspegel (m/s <sup>2</sup> )	(ISO 22867)		
Äquivalent (Vorderer / linker Griff )		1.3	2.2
Äquivalent (Hinterer / rechter Griff )		1.1	2.3
Unsicherheit		1.5	1.5
Leerlauf (Vorderer / linker Griff )		1.2	2.2
Leerlauf (Hinterer / rechter Griff )		1.2	2.3
Volllast (Vorderer / linker Griff )		1.3	2.2
Volllast (Hinterer / rechter Griff )		0.9	2.3

HINWEIS : Die entsprechenden Geräusch-/Vibrationspegel werden als zeitgewichtete Energiesumme für Geräusch-/Vibrationspegel unter verschiedenen Arbeitsbedingungen mit folgender Zeitaufteilung berechnet: 1/2 Leerlauf, 1/2 schnell.

\* Änderung der technischen Daten jederzeit vorbehalten.

---

## Zusammenbau

---

### Antriebswelle und Motor (Abb. 1)

Den Motor mit den vier mitgelieferten Schrauben oder Bolzen (1) am Kupplungsgehäuse (2) montieren.

### Anbringung des Handgriffs (Abb. 2)

Den Handgriff zum Motor hin geneigt an das Antriebswellenrohr anbringen.

Den Handgriff vor der Inbetriebnahme auf eine komfortable Position einstellen, welche zum Kraftkopf nicht zu nahe sein soll.

### HINWEIS

Beachten Sie, falls auf Ihrem Gerät vorhanden, das Schild auf dem Antriebswellenrohr mit der Information zum richtigen Halten des Geräts.

### Anbringung des Handgriffs (Abb. 3, 4)

Den Griffhalter (1) von der Einheit abnehmen. (Abb. 3)  
Die Griffe ansetzen und den Griffhalter mit den vier Schrauben leicht befestigen. Den Winkel je nach Bedarf austrichten. Dann die Schrauben festziehen.

Haken Sie das Hüftdämpfungsglied los und wickeln Sie darin die verrohrten Stoppschnüre ebenso gut wie den Gashebeldraht (1) ein. (Abb. 4)

### HINWEIS zum CG40EY (T) (Abb. 5, 6)

Die Antriebswelle und das Triebwerk dieser Ausführung wurden im Betrieb vorherig zusammengebaut. Man soll nur den Drosselgriff auf das Heft mit einer Schraube und einer Mutter festmachen und dann auf den Griffhalter errichten. Befestigen Sie sicher die knopfartige Mutter mit den Fingern.

### Anbringen des Griffs am CG40EJ (T) (Abb. 7, 8)

Setzen Sie die Handgriffe an und ziehen Sie die Befestigungsschraube des Griffhalters leicht an. Richten Sie dann den Griff korrekt aus und ziehen Sie die Befestigungsschraube fest an.

Bringen Sie den Gasregler mit der Schraube und der Mutter am Griff an.

### HINWEIS

Reparieren Schutzrohr auf Antriebs shaft oder handle Gebrauch Schnur Klammern.

### Gaszug / Stopkabel

Den Luftfilterdeckel abnehmen. (Abb. 9)

Die Stopp-Kabel anschließen. (Abb. 10)

Gaszug und Vergaser miteinander verbinden. (Abb. 11)

Den mitgelieferten Schutzschlauch über Gaszug und Stopp-Leitungen bis zum Luftfilterdeckel ziehen. (Abb. 12)

### Anbringung des Messerschutzes (Abb. 13, 14, 15, 16)

### HINWEIS

Bei einigen Modellen wird das Getriebegehäuse bereits mit montierten Schutzhalter geliefert.

Den Messerschutz an der Winkeltriebeseite des Antriebswellenrohrs befestigen. Die Schutzhalterung sicher befestigen, damit der Messerschutz während der Arbeit nicht hin und her rutscht oder sich nach unten verschiebt.

### VORSICHT

Manche Messerschutzmodelle sind mit einem Scharfkantenschutz ausgestattet. Gehen Sie vorsichtig damit um.

### HINWEIS (Abb. 14)

Bei Verwendung eines HITACHI-Aluminiumkopfes (CH-100 oder CH-300) sollte der im Werkzeugbeutel enthaltene Scharfkantenschutz (2) mit Hilfe der abgebildeten Schraube (3) fest am Messerschutz befestigt werden.

Bei Verwendung eines Trimmerkopfs mit Doppelstückmesserschutz ist die Schutzverlängerung am Messerschutz anzubringen. (Abb. 15)

### HINWEIS

Vor Befestigung der Schutzverlängerung am Messerschutz muss der Scharfkantenschutz (falls montiert) vom Messerschutz entfernt werden.

### HINWEIS

Falls auf dem Antriebswellenrohr Ihres Geräts ein Schild mit Informationen zur Messerschutzposition angebracht ist, halten Sie sich an die Darstellung.

### HINWEIS

Informationen zum Entfernen der Schutzverlängerung entnehmen Sie den Abbildungen. Wegen des Scharfkantenschutzes der Verlängerung unbedingt Handschuhe tragen. Dann die vier quadratischen Laschen am Messerschutz nacheinander hineindrücken. (Abb. 16)

### Montage des Schneidmessers (Abb. 17, 18)

(Falls vorhanden)

Bei der Montage eines Schneidmessers darauf achten, dass es keine Risse oder Beschädigungen aufweist und die Schneidkanten richtig ausgerichtet sind.

### HINWEIS

- Bei der Montage der Messerhalterkappe (1) darauf achten, dass die Vertiefung nach oben zeigt.
- Den Sechskantzapfenschlüssel (2) in die Öffnung des Winkelgetriebes einführen und die Messerhalterung (3) verriegeln. Es ist zu beachten, dass der Befestigungsbolzen bzw. die Befestigungsmutter (4) über ein Linksgewinde verfügt (Lösen im Uhrzeigersinn, Anziehen gegen den Uhrzeigersinn). Den Befestigungsbolzen bzw. die Befestigungsmutter mit einem Ringschlüssel anziehen

### HINWEIS

Wenn Ihr Gerät mit einer Mutter und mit einem Schließbolzen ausgerüstet ist, soll man die Klinge mit diesem Schließbolzen (5) festhalten. (Abb. 19)

### VORSICHT

Vor der Inbetriebnahme überprüfen, ob das Messer ordnungsgemäß montiert ist.

### VORSICHT

Wenn Ihr Gerät mit einer Schutzabdeckung unter dem Schneidmesser ausgestattet ist, überprüfen Sie es vor dem Einsatz auf Abnutzung oder Risse. Wenn Beschädigungen oder Spuren von Abnutzung zu sehen sind, tauschen Sie es aus, denn es handelt sich um ein Verschleißteil.

## Anbringung des Brain-Schneidkopfs

### HINWEIS

Informationen zur Anbringung des Brain-Schneidkopfs finden Sie in der im Lieferumfang des Brain-Schneidkopfs enthaltenen Brain-Bedienungsanleitung.

### ⚠️ WARNUNG

Für Schneidköpfe der Baureihe HITACHI Brain oder legierte HITACHI-Schneidköpfe dürfen nur die vom Hersteller empfohlenen flexiblen, nicht metallischen Züge verwendet werden. Metalldrähte oder Drahtseile sind keinesfalls zulässig. Sie könnten reißen und zu einem gefährlichen Geschoss werden.

### HINWEIS

Bei Verwendung eines legierten HITACHI-Schneidkopfs (CH-100) sollte die anfängliche Länge der Schnittlinie bei jeweils ca. 17 cm liegen. (Abb. 20)

---

## Betrieb

---

### Kraftstoff (Abb. 21)

### ⚠️ WARNUNG

- Der Trimmer ist mit einem Zweitaktmotor ausgestattet. Er muss daher mit Kraftstoff -Ölgemisch betrieben werden. Beim Handhaben von und Auftanken mit Kraftstoff ist stets für gute Belüftung zu sorgen.
- Kraftstoff ist stark entflammbar und kann bei Einatmen oder Hautkontakt schwere Verletzungen verursachen. Kraftstoff stets mit der gebotenen Umsicht handhaben. Bei der Handhabung von Kraftstoff in Gebäuden immer auf gute Belüftung achten.

### Kraftstoff

- Stets einen bleifreien Markenkraftstoff mit einer Oktanzahl von 89 oder höher verwenden.
- Original-Zweitaktöl oder ein fertiges Zweitaktgemisch in einem Mischungsverhältnis von 25:1 bis 50:1 verwenden. Hierzu die Anweisungen am Zweitaktölbehälter beachten oder den HITACHI-Fachhändler um Rat fragen.
- Sollte Original-Zweitaktöl nicht zu beschaffen sein, ein qualitativ hochwertiges Öl mit Korrosionsschutz-Additiv verwenden, das laut Beschriftung speziell für luftgekühlte Zweitaktmotoren geeignet ist (Klassifikation JASO FC oder ISO EGC). Kein BIA- oder TCW-Mischöl (für wassergekühlte Zweitakter) verwenden.
- Unter keinen Umständen Mehrbereichsöl (10 W/30) oder Altöl verwenden.
- Kraftstoff und Öl immer in einem separaten sauberen Behälter mischen.

Zuerst die Hälfte des zu verwendenden Kraftstoffs, dann die gesamte Ölmenge einfüllen. Die Kraftstoffmischung verrühren (schütteln). Den restlichen Kraftstoff hinzufügen.

Die Kraftstoffmischung sorgfältig verrühren (schütteln), bevor sie in den Tank gefüllt wird.

## Auftanken

### ⚠️ WARNUNG

- Zum Auftanken immer den Motor ausschalten.
- Zum Auffüllen mit Kraftstoff den Kraftstofftankdeckel langsam aufdrehen, um einen eventuellen Überdruck im Tank abzulassen.
- Den Kraftstofftankdeckel nach dem Auftanken wieder fest zudrehen.
- Den Motor des Trimmers mindestens 3 m von der Auftankstelle entfernt starten.
- Eventuell auf die Kleidung geratenen Kraftstoff sofort mit Seife auswaschen.
- Nach dem Auftanken sicherstellen, dass kein Kraftstoff ausläuft.

Vor dem Betanken des Geräts den Bereich um den Tankdeckel gut säubern, damit kein Schmutz in den Tank gerät. Den Behälter vor dem Betanken schütteln, um Öl und Kraftstoff gut zu mischen.

### Starten (Abb. 22, 23, 24, 25)

### VORSICHT

- Vor dem Anlassen sicherstellen, dass die Schneidvorrichtung nicht mit irgendwelchen Gegenständen in Berührung kommt.
1. Den Zündschalter (1) auf ON (Start) stellen. (Abb. 22, 23)
    - \* Die Ansaugpumpe (4) mehrmals betätigen, damit Kraftstoff durch das Rücklaufrohr (5) fließt. (falls vorhanden) (Abb. 24)
  2. Bei gedrückter Gaszug-Auslösesperre (2) (falls vorhanden) den Gaszugauslöser ziehen und die Gaszugsperr (3) drücken. Danach langsam den Gaszugauslöser und die Gaszug-Auslösesperre lösen. Hierdurch wird der Gaszug in der Startstellung gesichert. (Abb. 22, 23)
  3. Den Choke in Schließstellung CLOSED (4) schieben. (Abb. 25)
  4. Den Griff des Zugstarters gut mit der Hand festhalten, um Rückschläge zu verhindern, und in kräftiger, schneller Bewegung ziehen.
  5. Wenn der Motor hörbar anspringt, den Choke wieder in die normale Betriebsstellung RUN (offen) zurückschieben. Dann noch einmal kräftig am Zugstarter ziehen.

### HINWEIS

- Sollte der Motor nicht anspringen, Schritte 2 bis 5 wiederholen.
6. Nach dem Anspringen des Motors am Gashebel ziehen, um den Sperrknopf zu lösen. Den Motor dann ca. 2 bis 3 Minuten warmlaufen lassen, bevor er belastet wird.

### Schneiden (Abb. 26, 27, 28, 29)

- Betreiben Sie beim Schneiden die Maschine mit einer Drehzahl von mehr als 6500 Umdrehungen pro Minute. Eine übermäßig lange Verwendung bei niedriger Drehzahl kann zum vorzeitigen Verschleiß der Kupplung führen.
- Gras von links nach rechts schneiden.
- Ein Messerstoß ist möglich, wenn das rotierende Messer im kritischen Bereich mit einem massiven Gegenstand in Berührung kommt. In diesem Fall kann es zu einer gefährlichen Reaktion kommen, bei der das gesamte Gerät und der Bediener einem heftigen Stoß ausgesetzt werden. Diese Reaktion wird als Messerstoß bezeichnet. Das Resultat ist u.U., dass der Bediener die Kontrolle über das Gerät verliert und schwere oder lebensgefährliche Verletzungen davonträgt. Messerstöße sind in Arbeitsbereichen, wo das zu schneidende Vegetationsmaterial nur schwer einsehbar ist, wahrscheinlicher.
- Den Tragegriff gemäß der Abbildung anlegen (falls vorhanden). Da sich das Messer gegen den Uhrzeigersinn dreht, wird empfohlen, das Gerät bei der Arbeit von rechts nach links zu führen, um die bestmögliche Schneidwirkung zu erreichen. Andere Personen sollten einen Sicherheitsabstand von mindestens 15 m einhalten.

## HINWEIS

Drücken Sie im Falle eines Notfalls den Schnellauslöseknopf oder ziehen Sie die Schnellauslöseklappe (falls vorhanden). (Abb. 28)

## ⚠️ WARNUNG

**Wenn die Schneidvorrichtung bei der Arbeit Steine oder andere Gegenstände berührt, den Motor ausschalten und kontrollieren, ob Messer oder sonstige Teile beschädigt worden sind. Wenn sich Gras oder Pflanzenteile in der Schneidvorrichtung verfangen haben, den Motor ausschalten und die Fremdkörper entfernen.**

## Stoppen (Abb. 30)

Verringern Sie die Motordrehzahl und lassen Sie den Motor einige Minuten im Leerlauf laufen, bevor Sie den Zündschalter (24) ausschalten.

## ⚠️ WARNUNG

**Schneidwerkzeug kann auch nach dem Ausschalten des Motors oder Freigeben des Leistungsreglers Verletzungen verursachen, solange es sich weiterdreht. Das Gerät nach dem Ausschalten des Motors erst am Boden abstellen, wenn das Schneidwerkzeug zum Stillstand gekommen ist.**

## Wartung

**WARTUNG, AUSTAUSCH ODER REPARATUR DER ABGASKONTROLLVORRICHTUNGEN UND -SYSTEME KANN VON JEDER AUF KLEINMOTOREN (NICHT FÜR DEN STRASSENVERKEHR VORGESEHENE MOTOREN) SPEZIALISIERTEN FACHWERKSTATT ODER PERSON DURCHFÜHRT WERDEN.**

## Vergasereinstellung (Abb. 31)

## ⚠️ WARNUNG

**Das Schneidwerkzeug kann während der Vergasereinstellung rotieren.**

## ⚠️ WARNUNG

**Den Motor niemals mit nicht montierter Kupplungsabdeckung (Seitengehäuse) oder nicht angebrachtem Rohr starten! Anderenfalls könnte sich die Kupplung lösen und Verletzungen verursachen.**

Im Vergaser werden Luft und Kraftstoff gemischt. Die Grundeinstellung des Vergasers wurde beim werkseitigen Probelauf des Motors bereits vorgenommen. Je nach Klima und Höhenlage des Einsatzorts kann eine Korrektur dieser Einstellung erforderlich werden. Der Vergaser bietet eine Einstellmöglichkeit: **T = Leerlauf-Einstellschraube.**

## Einstellung des Leerlaufs (T)

Der Luftfilter muss sauber sein. Bei korrekter Einstellung dreht das Schneidwerkzeug sich im Leerlauf nicht mit. Falls eine Einstellung notwendig ist, bei laufendem Motor die Leerlauf-Einstellschraube T (im Uhrzeigersinn) hineindrehen, bis das Schneidwerkzeug sich zu drehen beginnt. Die Schraube danach (gegen den Uhrzeigersinn) wieder herausdrehen, bis sich das Schneidwerkzeug nicht mehr mitdreht. Die Leerlaufdrehzahl ist richtig eingestellt, wenn der Motor in jeder Lage gut unterhalb der Drehzahl läuft, bei der das Schneidwerkzeug sich zu drehen beginnt.

Wenn die Leerlaufdrehzahl nicht so eingestellt werden kann, dass sich das Schneidwerkzeug nicht mitdreht, Ihren HITACHI-Fachhändler aufsuchen.

## HINWEIS

Die Standard-Leerlaufdrehzahl liegt bei 2500 bis 3000 Umdrehungen pro Minute.

## HINWEIS

Bei einigen, in Ländern mit strengen Abgasvorschriften vertriebenen Modellen, besitzt der Vergaser keine High und Low-Einstellmöglichkeit. Bei derartigen Einstellungen könnten die zulässigen Abgaswerte überschritten werden. Solche Modelle ermöglichen lediglich eine Einstellung der Leerlaufdrehzahl.

Die Vergaser der Modelle, die mit einer High- und Low-Einstellmöglichkeit ausgestattet sind, wurden werkseitig voreingestellt. Die Leistung kann durch eine Nachjustierung unter Berücksichtigung von Klima, Höhe usw. optimiert werden. Die Einstellschraube sollte jedoch niemals um mehr als 90 Grad gedreht werden, da eine falsche Einstellung zu Motorschäden führen kann. Wenn Sie mit Vergasereinstellungen nicht vertraut sind, wenden Sie sich bitte an Ihren HITACHI-Händler.

## ⚠️ WARNUNG

**Im Leerlauf darf sich das Schneidwerkzeug auf keinen Fall mitdrehen.**

## Luftfilter (Abb. 32)

Den Luftfilter regelmäßig von Staub und Schmutz befreien zur Vermeidung von:

- Vergaserstörungen
- Startschwierigkeiten
- Leistungsverminderung
- Unnötigem Verschleiß von Motorteilen
- Unnormal hohem Kraftstoffverbrauch

Den Luftfilter mindestens einmal täglich reinigen, bei extremer Staubbelastung entsprechend häufiger.

## Reinigung des Luftfilters

Den Luftfilterdeckel abnehmen und den Filter (1) herausnehmen. Den Filter in warmer Seifenlauge spülen. Den Luftfilter erst wieder einbauen, wenn er vollständig trocken ist. Ein Luftfilter, der bereits längere Zeit verwendet wurde, wird nicht vollständig sauber. Er sollte daher in regelmäßigen Abständen durch einen neuen ersetzt werden. Ein beschädigter Luftfilter muss umgehend ausgewechselt werden.

## Kraftstofffilter (Abb. 33)

Den Kraftstoff vollständig aus dem Tank ablassen und die Kraftstofffilterleitung aus dem Tank entfernen. Den Filtereinsatz aus der Haltevorrichtung ziehen und in warmem Wasser mit Reinigungsmittel ausspülen. Danach sorgfältig abspülen, bis alle Reinigungsmittelreste entfernt sind. Überschüssiges Wasser herausdrücken (nicht auswingen), und den Einsatz dann an der Luft trocknen lassen.

## HINWEIS

Aufgrund von übermäßiger Verschmutzung hart gewordene Filter durch neue ersetzen.

### Zündkerze (Abb. 34)

Der Zustand der Zündkerze wird durch folgende Faktoren beeinträchtigt:

- Eine falsche Vergasereinstellung
- Falsches Kraftstoff gemisch (zu viel Öl im Benzin)
- Einen verschmutzten Luftfilter
- Harte Einsatzbedingungen (z.B. bei kalter Witterung)

Diese Faktoren verursachen Ablagerungen an den Elektroden der Zündkerze, die zu Betriebsstörungen und Startschwierigkeiten führen können. Wenn der Motor einen Leistungsabfall zeigt, schwer zu starten ist oder im Leerlauf ungleichmäßig läuft, immer als erstes die Zündkerze kontrollieren. Ist die Zündkerze verschmutzt, so ist sie zu reinigen und der Elektrodenabstand zu prüfen. Falls erforderlich Justierung vornehmen. Der korrekte Abstand beträgt 0,6 mm. Die Zündkerze ist nach ungefähr 100 Betriebsstunden bzw. bei starkem Verschleiß der Elektroden auszutauschen.

### HINWEIS

In manchen Gebieten ist zur Unterdrückung von Zündstörungen die Verwendung einer Zündkerze mit eingebautem Widerstand vorgeschrieben. Sollte das Gerät anfänglich mit einer solchen Zündkerze ausgestattet gewesen sein, müssen auch später stets Ersatzkerzen des gleichen Typs verwendet werden.

### Winkelgetriebe (Abb. 35)

Die Schmierung des Winkelgetriebes etwa alle 50 Betriebsstunden durch Entfernen des Schmierstopfens auf der WinkelgetriebeSeite prüfen.

Falls an den Getriebeflanken kein Schmierfett sichtbar ist, das Getriebe zu 3/4 mit einem guten Mehrzweckfett auf Lithiumbasis füllen. Das Getriebe nie ganz mit Schmierfett füllen.

### Klinge (Abb. 36)

#### **WARNUNG**

**Tragen Sie bei Arbeiten am Messer stets Schutzhandschuhe.**

- Ein scharfes Messer verwenden. Ein stumpfes Messer neigt eher zum Festklemmen oder Verursachen von Stößen. Die Befestigungsmutter austauschen, falls sie beschädigt oder schwer anzuziehen ist.
- Als Austauschmesser nur von HITACHI empfohlene Messer mit einer Befestigungsbohrung von 25,4 mm (1 Zoll) verwenden.
- Beim Einspannen eines Sägeblatts (2) muss die Stanzseite stets nach oben weisen. Ein vierzahniges Sägeblatt (1) lässt sich beidseitig verwenden.
- Die für die Art der Arbeit geeignete Klinge verwenden.
- Beim Austausch der Klinge das geeignete Werkzeug verwenden.
- Stumpf gewordene Schneidkanten gemäß der Abbildung schärfen oder feilen. Falsches Schärfen kann zu übermäßig hoher Vibration führen.
- Messer aussondern, die verbogen, verzogen, rissig, gebrochen oder in anderer Weise beschädigt sind.

### HINWEIS

Beim Schärfen der Klinge ist es wichtig, dass die ursprüngliche Radiusform an der Zahnbasis erhalten bleibt, um Rissbildung zu vermeiden.

### Wartungsplan

Im Folgenden sind einige allgemeine Wartungsanweisungen aufgeführt. Weitergehende Informationen erhalten Sie bei Ihrem HITACHI-Fachhändler.

### Tägliche Wartung

- Das Äußere des Geräts reinigen.
- Den Tragegurt auf Schäden überprüfen.
- Den Messerschutz auf Schäden oder Risse überprüfen. Den Messerschutz im Falle von mechanischen Schäden oder Rissen austauschen.
- Das Schneidwerkzeug muss gut zentriert, scharf und frei von Rissen sein. Eine schlecht zentrierte Schneidvorrichtung verursacht Vibrationen, die das Gerät beschädigen können.
- Den festen Sitz der Schneidvorrichtungsmutter überprüfen.
- Sicherstellen, dass der Messerschutz unbeschädigt ist und fest angebracht werden kann.
- Prüfen, ob Mutter und Schrauben ausreichend fest angezogen sind.

### Wöchentliche Wartung

- Den Starter und insbesondere das Seil überprüfen.
- Die Zündkerze äußerlich reinigen.
- Die Zündkerze herausrauben und den Elektrodenabstand kontrollieren. Den Abstand auf 0,6 mm einstellen oder die Zündkerze auswechseln.
- Die Luftschlitze am Startergehäuse auf Verstopfung kontrollieren.
- Kontrollieren, ob das Winkelgetriebe 3/4 mit Schmiermittel gefüllt ist.
- Den Luftfilter säubern.

### Monatliche Wartung

- Den Kraftstofftank mit Benzin ausspülen und den Kraftstofffilter reinigen.
- Das Äußere des Vergasers und seine Umgebung reinigen

### Vierteljährliche Wartung











- Reinigen Sie die Kühlrippen am Zylinder.
- Den Lüfter und seine Umgebung reinigen.
- Den Schalldämpfer von Rußablagerungen befreien.

### VORSICHT

Das Reinigen von Zylinderrippen, Gebläse und Schalldämpfer muss von einem einer von HITACHI autorisierten Service-Werkstatt durchgeführt werden.

## Επεξήγηση συμβολών

### ΣΗΜΕΙΩΣΗ : Δεν υπάρχουν σε ορισμένες συσκευές.

	<p><b>Σύμβολα</b>  <b>⚠ ΠΡΟΕΙΔΟΠΟΙΗΣΗ</b>            Τα παρακάτω δείχνουν τα σύμβολα που χρησιμοποιούνται στο μηχάνημα. Βεβαιωθείτε ότι κατανοείτε τη σημασίას τους πριν τη χρήση.</p>		
	<p>Είναι σημαντικό να διαβάσετε, να κατανοήσετε πλήρως και να τηρείτε τις ακόλουθες υποδείξεις ασφαλείας και προειδοποίησης. Η ακατάλληλη ή αμελής χρήση της συσκευής μπορεί να προκαλέσει σοβαρούς τραυματισμούς.</p>		<p>Ένδειξη μέγιστου ταχύτητας στροφών του άξονα. Μη χρησιμοποιείτε το εξάρτημα κοπής του οποίου οι μέγιστες στροφές ανά λεπτό είναι λιγότερες από τις στροφές ανά λεπτό του άξονα.</p>
	<p>Διαβάστε, κατανοήστε και ακολουθήστε όλες τις προειδοποιήσεις και οδηγίες αυτού του εγχειριδίου της συσκευής.</p>		<p>Όπου είναι απαραίτητο πρέπει να φοριούνται γάντια, π.χ., κατά τη συναρμολόγηση του εξοπλισμού κοπής.</p>
	<p>Φοράτε πάντα προστατευτικά γυαλιά, κράνος και προστατευτικά αυτιών όταν χρησιμοποιείτε τη συσκευή.</p>		<p>Χρησιμοποιείτε αντι - ολισθητικά και ενισχυμένα υποδήματα.</p>
	<p>Μη χρησιμοποιείτε μεταλλικές/ δύσκαμπτες λεπίδες όταν εμφανίζεται αυτή η ένδειξη στη συσκευή.</p>		<p>Μπορεί να παρουσιαστεί προσωπτική ισχύς λεπίδας όταν η περιστρεφόμενη λεπίδα έρθει σε επαφή με ένα στερεό αντικείμενο στην κρίσιμη επιφάνεια. Μπορεί να προκληθεί μια επικίνδυνη αντίδραση έχοντας ως αποτέλεσμα τη βίαιη εξακόντιση ολοκληρωσης της συσκευής και του χειριστή της. Αυτό το φαινόμενο ονομάζεται προσωπτική ισχύς λεπίδας. Ως αποτέλεσμα, ο χειριστής μπορεί να χάσει τον έλεγχο της συσκευής κατά το οποίο μπορεί να προκαλέσει σοβαρό ή θανατηφόρο τραυματισμό. Η προσωπτική ισχύς της λεπίδας είναι πιθανότερο να εμφανιστεί σε περιοχές όπου είναι δύσκολο να δει κάποιος το υλικό προς κοπή.</p>
	<p>Κρατείστε τα παιδιά, τους παραβρισκόμενους και τους βοηθούς 15 μ μακριά από τη συσκευή. Εάν σας πλησιάσει κάποιος, σταματήστε τον κινητήρα και το εξάρτημα κοπής αμέσως.</p>		
	<p>Προσοχή στα αντικείμενα που μπορούν να πέσουν.</p>		

**Πριν τη χρήση του μηχανήματός σας**

- Διαβάστε προσεκτικά το εγχειρίδιο.
- Ελέγξτε ότι ο εξοπλισμός κοπής είναι σωστά συναρμολογημένος και ρυθμισμένος.
- Εκκινήστε τη συσκευή και ελέγξτε την ρύθμιση του καρμπυρατέρ. Δείτε το "ΣΥΝΤΗΡΗΣΗ".

**Περιεχόμενα**

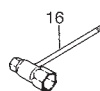
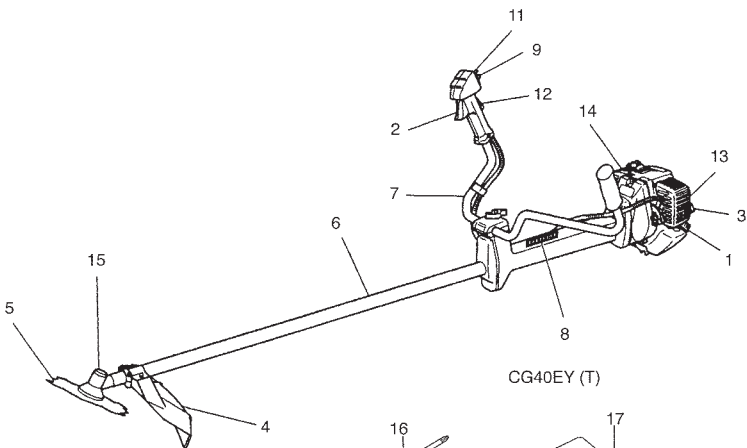
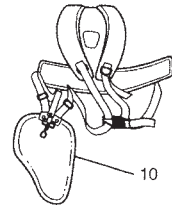
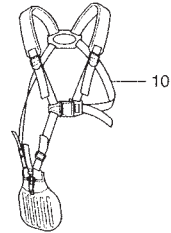
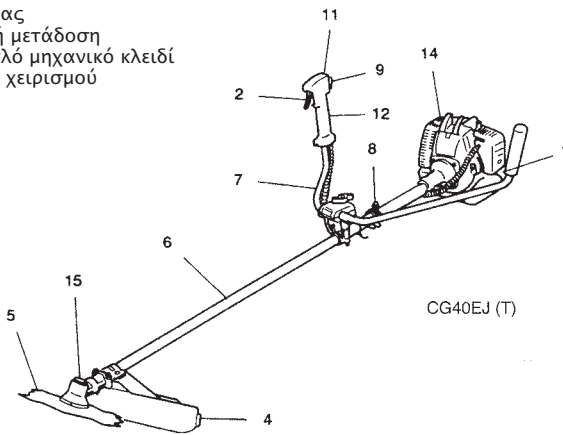
Τι είναι τι.....	2
Προειδοποιήσεις και υποδείξεις ασφαλείας.....	3
Τεχνικά χαρακτηριστικά.....	4
Διαδικασίες συναρμολόγησης.....	5
Διαδικασία λειτουργίας.....	6
Συντήρηση.....	7



## Τι είναι τι

Καθώς αυτό το εγχειρίδιο καλύπτει παραπάνω από ένα μοντέλο, μπορεί να υπάρχουν κάποιες διαφορές ανάμεσα στις εικόνες και στη συσκευή σας. Χρησιμοποιείστε τις οδηγίες που αντιστοιχούν στη συσκευή σας.

1. Καπάκι καυσίμου
2. Σκανδάλη γκαζιού
3. Χερούλι εκκίνησης
4. Προφυλακτήρας λεπίδας
5. Εξάρτημα κοπής
6. Σωλήνας άξονα μετάδοσης κίνησης
7. Χειρολαβή
8. Στροφέιο ανάρτησης
9. Διακόπτης ανάφλεξης
10. Λουρί
11. Κλείδωμα σκανδάλης
12. Κλείδωμα σκανδάλης κινητήρα
13. Μοχλός τσok
14. Κινητήρας
15. Γωνιακή μετάδοση
16. Πολλαπλό μηχανικό κλειδί
17. Οδηγίες χειρισμού



## Προειδοποιήσεις και υποδείξεις ασφαλείας

### Ασφάλεια χρήστη

- Πάντοτε να φοράτε μια προστατευτική προσωπίδα ή προστατευτικά γυαλιά.
- Πάντα να φοράτε χοντρό, μακρύ παντελόνι και γάντια. Μην φοράτε φαρδιά ρούχα, κοσμήματα, κοντά παντελόνια, σανδάλια ή να είστε ξυπόλυτοι. Ασφαλίστε τα μαλλιά σας σε ύψος πάνω από τον ώμο.
- Μην κάνετε χρήση αυτού του εργαλείου όταν ήσαστε κουρασμένοι, άρρωστοι ή υπό την επήρεια αλκοόλ, ναρκωτικών ή φαρμάκων.
- Ποτέ μην επιτρέψετε σε ένα παιδί να ή ένα άπειρο άτομο να χειριστεί αυτό το εργαλείο.
- Φοράτε προστατευτικά ακοής. Δώστε προσοχή γύρω σας. Προσέξτε τους παραβρισκόμενους οι οποίοι μπορεί να σας υποδεικνύουν κάποιο πρόβλημα. Αφαιρέστε αμέσως τον εξοπλισμό ασφαλείας μετά το σβήσιμο του κινητήρα.
- Να φοράτε προστατευτικό του κεφαλιού.
- Ποτέ μην ξεκινάτε ή λειτουργείτε τον κινητήρα μέσα σε ένα κλειστό δωμάτιο ή κτίριο. Η εισπνοή των καυσαερίων της εξάτμισης μπορεί να επιφέρει το θάνατο.
- Διατηρείτε τις λαβές καθαρές από λάδι και καύσιμα.
- Κρατάτε τα χέρια μακριά από το εξάρτημα κοπής.
- Μην αρπάζετε ή κρατάτε τη συσκευή από το εξάρτημα κοπής.
- Όταν η συσκευή είναι κλειστή, βεβαιωθείτε ότι το εξάρτημα κοπής έχει σταματήσει να λειτουργεί πριν τοποθετήσετε τη συσκευή κάτω.
- Κατά την παρατεταμένη λειτουργία, κατά διαστήματα κάντε ένα διάλειμμα για να απο피είτε το πιθανό σύνδρομο της δόνησης χεριού-βραχιονίου (HAVS) που προκαλείται από την έντονη δόνηση.

### ΠΡΟΕΙΔΟΠΟΙΗΣΗ

Τα συστήματα κατά της δόνησης δεν εγγυώνται ότι δεν θα υποστείτε το σύνδρομο χεριού-βραχιονίου ή ένα σύνδρομο καρδιακού σωλήνα. Για αυτό θα πρέπει οι τακτικοί χρήστες να ελέγχουν συχνά την κατάσταση των χεριών και δακτύλων τους. Αν παρουσιαστεί κάποιο από τα παραπάνω συμπτώματα, συμβουλευτείτε άμεσα έναν ιατρό.

### ΠΡΟΕΙΔΟΠΟΙΗΣΗ

Εάν χρησιμοποιείτε κάποιες ηλεκτρικές/ηλεκτρονικές ιατρικές συσκευές όπως έναν βηματοδότη, συμβουλευτείτε τον ιατρό όπως επίσης και τον κατασκευαστή της συσκευής πριν την χρήση του οποιοδήποτε μηχανοκίνητου εξοπλισμού.

### Ασφάλεια συσκευής/μηχανήματος

- Ελέγξτε όλη τη συσκευή/μηχάνημα πριν από κάθε χρήση. Αντικαταστήστε τα εξάρτηματα που έχουν φθαρεί. Ελέγξτε τις διαρροές καυσίμου και βεβαιωθείτε ότι όλοι οι σύνδεσμοι βρίσκονται στη θέση τους και είναι σφιγμένοι.
- Αντικαταστήστε τα εξάρτηματα που παρουσιάζουν ρωγμές, ραγίσματα ή έχουν πάθει οποιοδήποτε ζημιά, πριν την χρήση της συσκευής/μηχανήματος.
- Σιγουρευτείτε ότι ο προφυλακτήρας της λάμας είναι σωστά τοποθετημένος.
- Κρατάτε τα άλλα άτομα μακριά όταν ρυθμίζετε το καρμπυράτέρ.
- Χρησιμοποιείτε μόνο ανταλλακτικά που συστήνονται για αυτή τη συσκευή/μηχάνημα από τον κατασκευαστή.

### ΠΡΟΕΙΔΟΠΟΙΗΣΗ

Ποτέ μην τροποποιείτε τη συσκευή/μηχάνημα με οποιοδήποτε τρόπο. Μην χρησιμοποιείτε τη συσκευή/μηχάνημα για άλλη χρήση εκτός από αυτή για την οποία προορίζεται.

### Ασφάλεια καυσίμου

- Ανακατέψτε και ρίχνετε το καύσιμο σε εξωτερικό χώρο και όπου δεν υπάρχουν σπίθες ή φλόγες.
- Χρησιμοποιείτε ένα δοχείο κατάλληλο για καύσιμα.
- Μην καπνίζετε ή επιτρέψετε το κάπνισμα κοντά σε καύσιμα ή στη συσκευή/μηχάνημα ή κατά την χρήση της συσκευής/μηχανήματος.
- Σκουπίστε όλες τις κηλίδες καυσίμου πριν την εκκίνηση του κινητήρα.
- Μετακινήστε τουλάχιστον 3 μέτρα μακριά από την περιοχή προφοδοσίας καυσίμου πριν την εκκίνηση του κινητήρα.
- Σταματήστε τον κινητήρα πριν την αφαίρεση του κατακλιού του καυσίμου.
- Αδειάστε τη δεξαμενή πριν την αποθήκευση της συσκευής/μηχανήματος. Συνιστάται το αδειασμα του καυσίμου μετά από κάθε χρήση. Αν το καύσιμο παραμένει στη δεξαμενή, αποθηκεύστε το ώστε να μην υπάρξει διαρροή.
- Αποθηκεύστε τη συσκευή/μηχάνημα και το καύσιμο σε χώρο όπου οι ατμοί του καυσίμου δεν μπορούν να φτάσουν σε σπινθήρες ή ανοικτές φλόγες από θερμαντήρες νερού, ηλεκτρικούς κινητήρες ή διακόπτες, λέβητες κλπ.

### ΠΡΟΕΙΔΟΠΟΙΗΣΗ

Το καύσιμο μπορεί να ευκολιά να αναφλεγεί, εκραγεί ή να εισπνευστούν οι ατμοί του, έτσι προσέξτε ιδιαίτερα κατά τον χειρισμό ή το γέμισμα του καυσίμου.

### Ασφάλεια κοπής

- Μη κόβετε οποιοδήποτε άλλο υλικό εκτός από γρασίδι και θάμνους.
- Ελέγξτε τη περιοχή κοπής πριν από κάθε χρήση. Αφαιρέστε αντικείμενα τα οποία μπορούν να πετοχτούν ή να μπλεχτούν.
- Για την προστασία της αναπνοής, φορέστε μια μάσκα προστασίας ενάντια στα αερολύματα κατά την κοπή του γρασιδιού στο οποίο προηγήθηκε ψεκασμός φυτοφαρμάκου.
- Κρατήστε τους άλλους συμμετεχοντες/αυξανόμενους των παιδιών, ζώων και τους παραβρισκόμενους και βοηθούς μακριά από τη ζώνη κινδύνου. Σταματήστε τον κινητήρα αμέσως όταν κάποιος σας πλησιάσει.
- Πάντα κρατάτε τον κινητήρα στη δεξιά πλευρά του σώματός σας.
- Κρατείστε τη συσκευή/μηχάνημα γερά και με τα δύο χέρια.
- Διατηρήστε σταθερό πάτημα και ισορροπία. Μην τεντώνεστε.
- Κρατήστε όλα τα μέρη του σώματός σας μακριά από το σιγαστήρα και το εξάρτημα κοπής όταν η μηχανή λειτουργεί.
- Κρατείστε το εξάρτημα κοπής κάτω από το ύψος της μέσης.
- Κατά την μετακίνησή σας σε μια νέα περιοχή εργασίας, φροντίστε να σβήνετε το μηχάνημα και διασφαλίστε ότι όλα τα εξάρτηματα κοπής είναι σταματημένα.
- Ποτέ να μη τοποθετείτε το μηχάνημα στο έδαφος όταν αυτό βρίσκεται σε λειτουργία.
- Πάντοτε να διασφαλίσετε ότι ο κινητήρας είναι εκτός λειτουργίας και τα εξάρτηματα κοπής είναι πλήρως σταματημένα πριν καθαρίσετε τα θραύσματα ή αφαιρέσετε το γρασίδι από τα εξάρτηματα κοπής.
- Πάντοτε να έχετε ένα κουτό πρώτων βοηθειών όταν χειρίζεστε οποιοδήποτε μηχανοκίνητο εργαλείο.
- Ποτέ να μην ξεκινάτε ή λειτουργείτε τον κινητήρα μέσα σε ένα κλειστό δωμάτιο ή κτίριο ή/και κοντά σε ένα εύφλεκτο υγρό. Η εισπνοή των καυσαερίων της εξάτμισης μπορεί να επιφέρει το θάνατο.

### Ασφάλεια συντήρησης

- Διατηρήστε τη συσκευή/μηχάνημα σύμφωνα με τις απαιτούμενες διαδικασίες.
- Αποσυνδέστε το μπουζί πριν από την εκτέλεση της συντήρησης εκτός από την περίπτωση των ρυθμίσεων του καρμπυράτέρ.
- Κρατήστε τα άλλα άτομα μακριά όταν ρυθμίζετε το καρμπυράτέρ.
- Χρησιμοποιείτε μόνο αυθεντικά ανταλλακτικά της HITACHI όπως συνιστάται από τον κατασκευαστή.

### ΠΡΟΕΙΔΟΠΟΙΗΣΗ

Μην απουσαρμολογείτε τον εκκινητήρα ανατύλιξης. Σοβαροί τραυματισμοί μπορούν να προκληθούν από αναπήδηση του εκκινητήρα.

### Μεταφορά και αποθήκευση

- Μεταφέρετε τη συσκευή/μηχάνημα με το χέρι με τη μηχανή σταματημένη και το σιγαστήρα μακριά από το σώμα σας.
- Αφήστε τη μηχανή να κρυώσει, αδειάστε τη δεξαμενή καυσίμου και ασφαλίστε τη συσκευή/μηχάνημα πριν την αποθήκευση ή μεταφορά σε ένα όχημα.
- Αδειάστε τη δεξαμενή πριν την αποθήκευση της συσκευής/μηχανήματος. Συνιστάται το αδειασμα του καυσίμου μετά από κάθε χρήση. Αν το καύσιμο παραμένει στη δεξαμενή, αποθηκεύστε το ώστε να μην υπάρξει διαρροή.
- Αποθηκεύστε τη συσκευή/μηχάνημα μακριά από παιδιά.
- Καθαρίζετε και συντηρείτε τη συσκευή προσεκτικά και αποθηκεύστε σε ξηρό μέρος.
- Βεβαιωθείτε ότι η μηχανή είναι σβησμένη κατά τη μεταφορά ή την αποθήκευση.
- Όταν τη μεταφέρετε σε ένα αμάξι, καλύψτε τη λεπίδα με το κάλυμμα της.

Στις περιπτώσεις που σας δεν καλύπτει αυτός ο οδηγός, δώστε προσοχή και χρησιμοποιείτε την κοινή λογική. Επικοινωνήστε με τον εμπειρικό αντιπρόσωπο της HITACHI αν χρειαστείτε βοήθεια. Δώστε ιδιαίτερη προσοχή στις προτάσεις που αποσπούνται από τις παρακάτω λέξεις:

### ΠΡΟΕΙΔΟΠΟΙΗΣΗ

Υποδεικνύει μια υψηλή πιθανότητα σοβαρού τραυματισμού ή βλάβης εξοπλισμού, αν δεν ακολουθηθούν οι οδηγίες.

### ΠΡΟΕΙΔΟΠΟΙΗΣΗ

Υποδεικνύει μια πιθανότητα τραυματισμού ή βλάβης εξοπλισμού αν δεν ακολουθηθούν οι οδηγίες.

### ΣΗΜΕΙΩΣΗ

Βοηθητική πληροφορία για σωστή λειτουργία και χρήση.

## Τεχνικά χαρακτηριστικά

ΜΟΝΤΈΛΟ		CG40EY (T)	CG40EJ (T)
Κινητήρας			
Εκτόπιση (cm <sup>3</sup> ) (ml)		39.8	
Μπουζί		NGK BPM6A ή παρόμοιος	
Ρελαντί (min <sup>-1</sup> )		2,800	
Προτεινόμενη μέγιστη ταχύτητα (min <sup>-1</sup> )		11,000	
Ταχύτητα άξονα εξόδου κίνησης (min <sup>-1</sup> )		8,300	
Μέγιστη ισχύς του κινητήρα (kW)		1.31 (@7000 min <sup>-1</sup> )	
Χωρητικότητα δεξαμενής καυσίμου (cm <sup>3</sup> ) (ml)		1,000	
Καθαρό βάρος (kg)		8.3	7.7
Εξάρτημα κοπή		Μεταλλική λεπίδα 3Τx305	Μεταλλική λεπίδα 3Τx305
Επίπεδο ηχητικής πίεσης LpA (dB (A))		(ISO 22868) Παρόμοιος Αβεβαιότητα	93.7 0.2
Μετρημένη στάθμη ηχητικής ισχύος LwA σε (dB (A))		(ISO 22868 ) Παρόμοιος	104
Εγγυημένη στάθμη ηχητικής ισχύος LwA σε (dB (A))		(2000/14/EC) Επιτάχυνση	116
Επίπεδο δόνησης (m/s <sup>2</sup> )		(ISO 22867)	
Ισοδύναμο (Πρόσθια / Αριστερή λαβή)		1.3	2.2
Ισοδύναμο (Οπίσθια / Δεξιά λαβή)		1.1	2.3
Αβεβαιότητα		1.5	1.5
Ρελαντί (Πρόσθια / Αριστερή λαβή)		1.2	2.2
Ρελαντί (Οπίσθια / Δεξιά λαβή)		1.2	2.3
Επιτάχυνση (Πρόσθια / Αριστερή λαβή)		1.3	2.2
Επιτάχυνση (Οπίσθια / Δεξιά λαβή)		0.9	2.3

ΣΗΜΕΙΩΣΗ : Τα ισοδύναμα επίπεδα θορύβου/δόνησης είναι υπολογισμένα ως η σταθμισμένη στο χρόνο συνολική ενέργεια για τα επίπεδα θορύβου/δόνησης υπό διαφορετικές συνθήκες εργασίας με την ακόλουθη κατανομή του χρόνου: 1/2 ρελαντί, 1/2 επιτάχυνση.

\* Όλα τα δεδομένα μπορούν να τροποποιηθούν χωρίς προειδοποίηση.

# Διαδικασίες συναρμολογησης

## Κινητήριος άξονας στο κινητήρα (Εικ. 1)

Συνδέστε τον κινητήρα στη θήκη του συμπλέκτη (2) με τις τέσσερις βίδες ή τα μπουλόνια (1) που παρέχονται.

## Τοποθέτηση της λαβής (Εικ. 2)

Συνδέστε τη λαβή στο σωλήνα του άξονα μετάδοσης κίνησης με τη γωνία προς το κινητήρα.

Πριν από τη λειτουργία ρυθμίστε τη θέση στο πιο βολικό μέρος αλλά όχι πολύ κοντά στη κεφαλή του κινητήρα.

## Τοποθέτηση της λαβής (Εικ. 3, 4)

Αφαιρέστε το υποστήριγμα της λαβής (1) από τη συνδεσμολογία. (Εικ. 3)

Τοποθετήστε τις λαβές και συνδέστε χαλαρά το υποστήριγμα της λαβής με τα τέσσερα μπουλόνια. Ρυθμίστε στην κατάλληλη θέση. Κατόπιν στερεώστε το καλά με τα μπουλόνια.

Απαγκιστρώστε το προστατευτικό παράβλημα και τυλίξετε τα κορδόνια σταματήματος του σωλήνα και τη ντίζα του γκαζιού (1) με αυτό. (Εικ. 4)

## ΣΗΜΕΙΩΣΗ για το CG40EY (T) (Εικ. 5, 6)

Ο άξονας μετάδοσης κίνησης και ο κινητήρας αυτού του μοντέλου έχουν προ-συναρμολογηθεί στο εργοστάσιο. Το μόνο που πρέπει να κάνετε είναι να συνδέσετε την πρόσφυση του γκαζιού στη λαβή με μια βίδα και ένα παξιμάδι και μετά να τη τοποθετήσετε στα υποστηρίγματα της λαβής. Βιδώστε καλά το παξιμάδι με τα δάκτυλα.

## Λαβή εγκατάστασης για το CG40EJ (T) (Εικ. 7, 8)

Τοποθετήστε τις λαβές και συνδέστε χαλαρά το υποστήριγμα της λαβής με το κουμπί της λαβής. Ρυθμίστε στην κατάλληλη θέση. Κατόπιν στερεώστε το καλά με το κουμπί της λαβής.

Συνδέστε τη ντίζα του γκαζιού στη λαβή με μια βίδα και ένα παξιμάδι.

## ΣΗΜΕΙΩΣΗ

Στερεώστε τον προστατευτικό σωλήνα στον άξονα μετάδοσης κίνησης ή τη λαβή χρησιμοποιώντας τους σφικτήρες καλωδίου.

## Σύρμα τροφοδοσίας/καλώδιο σταματήματος

Αφαιρέστε το κάλυμμα του φίλτρου αέρα. (Εικ. 9)

Συνδέστε τα καλώδια σταματήματος. (Εικ. 10)

Συνδέστε το άκρο του σύρματος τροφοδοσίας. (Εικ. 11)

Καλύψτε το σύρμα τροφοδοσίας και τα καλώδια σταματήματος μαζί με τον παρεχόμενο προστατευτικό σωλήνα μέχρι το σημείο του καλύμματος του φίλτρου αέρα. (Εικ. 12)

## Τοποθέτηση του προφυλακτήρα λεπίδας (Εικ. 13, 14, 15, 16)

## ΣΗΜΕΙΩΣΗ

Σε ορισμένα μοντέλα το υποστήριγμα προφυλακτήρα ενδέχεται να είναι ήδη συνδεδεμένο στο κιβώτιο ταχυτήτων.

Τοποθετήστε το προφυλακτήρα της λάμας στον σωλήνα του άξονα μετάδοσης κίνησης νάντια στη γωνιακή μετάδοση. Σφίξτε το υποστήριγμα του προφυλακτήρα καλά έτσι ώστε ο προφυλακτήρας της λάμας να μην περιστρέφεται ή να μετακινείται προς τα κάτω κατά τη λειτουργία.

## ΠΡΟΕΙΔΟΠΟΙΗΣΗ

Κάποιο προφυλακτήρες λεπίδας είναι εφοδιασμένοι με αιχμηρά άκρα. Προσοχή κατά το χειρισμό τους.

## ΣΗΜΕΙΩΣΗ (Εικ. 14)

Όταν γίνεται χρήση της αλουμινένιας κεφαλής της HITACHI (CH-100 ή CH-300) στη συσκευή σας, το αιχμηρό άκρο (2) που περιλαμβάνεται στη τσάντα εργαλείων, πρέπει να στερεώνεται καλά στον προφυλακτήρα χρησιμοποιώντας το μπουλόνι που φαίνεται (3).

Όταν χρησιμοποιείτε μια κεφαλή κοπτικού, με προφυλακτήρα λεπίδας δύο τεμαχίων, συνδέστε την προέκταση του προφυλακτήρα στον προφυλακτήρα λεπίδας. (Εικ. 15)

## ΣΗΜΕΙΩΣΗ

Κατά τη σύνδεση της προέκτασης του προφυλακτήρα στον προφυλακτήρα της λεπίδας, το αιχμηρό άκρο πρέπει να αφαιρείται από τον προφυλακτήρα της λεπίδας (εάν έχει τοποθετηθεί).

## ΣΗΜΕΙΩΣΗ

Εάν η συσκευή σας έχει στον άξονα μετάδοσης κίνησης ετικέτα με οδηγίες για την τοποθέτηση της λαβής, ακολουθήστε την εικόνα.

## ΣΗΜΕΙΩΣΗ

Για την αφαίρεση της προέκτασης του προφυλακτήρα, ανατρέξτε στα σχέδια. Φοράτε γάντια και ασφαλή επέκταση έχει αιχμηρά άκρα, έπειτα σπρώξτε τις τέσσερις τετράγωνες προεξοχές στον προφυλακτήρα μια προς μια με τη σειρά. (Εικ. 16)

## Τοποθέτηση της λεπίδας κοπής (Εικ. 17, 18)

(Εάν παρέχεται)

Όταν τοποθετείτε μια λεπίδα κοπής, σιγουρευτείτε ότι δεν υπάρχουν ραγίσματα ή οποιαδήποτε ζημιά σε αυτή και ότι οι άκρες κοπής είναι στραμμένες στη σωστή κατεύθυνση.

## ΣΗΜΕΙΩΣΗ

- Κατά την εγκατάσταση του καλύμματος στήριξης του κόφτη (1), σιγουρευτείτε ότι έχετε τοποθετήσει την κοίλη πλευρά προς τα επάνω.
- Εισάγετε το κλειδί Άλλεν (2) στην τρύπα της γωνιακής μετάδοσης προκειμένου να κλειδωθεί ο συγκρατητής του κόπτη (3). Παρακαλώ σημειώστε ότι το μπουλόνι στερέωσης του κόφτη ή το παξιμάδι (4) έχει αντιστρόστροφο σπείραμα, (ξεσφίγγει κατά τη φορά του ρολογιού/ σφίγγει κατά την αντίθετη φορά). Σφίξτε το μπουλόνι στερέωσης ή το παξιμάδι με το γαλλικό κλειδί.

## ΣΗΜΕΙΩΣΗ

Αν η συσκευή σας είναι του τύπου στερέωσης με παξιμάδι και είναι εφοδιασμένη με περόνη η λάμα πρέπει να στερεώνεται με καινούργια περόνη (5) κάθε φορά που τοποθετείται. (Εικ. 19)

## ΠΡΟΕΙΔΟΠΟΙΗΣΗ

Πριν τη λειτουργία σιγουρευτείτε ότι η λεπίδα έχει τοποθετηθεί σωστά.

## ΠΡΟΕΙΔΟΠΟΙΗΣΗ

Εάν η συσκευή σας είναι εφοδιασμένη με προστατευτικό κάλυμμα κάτω από τη λεπίδα κοπής, ελέγξτε εάν υπάρχει φθορά ή ραγίσματα πριν από τη χρήση. Εάν βρεθεί οποιαδήποτε ζημιά ή φθορά, αντικαταστήστε το, επειδή είναι αναλώσιμο είδος.

## Εγκατάσταση κεφαλής κοπής Brain

### ΣΗΜΕΙΩΣΗ

Για την εγκατάσταση συμβουλευτείτε το Εγχειρίδιο ιδιοκτήτη Brain, που παρέχετε μαζί με την κεφαλή κοπής Brain.

### ⚠ ΠΡΟΕΙΔΟΠΟΙΗΣΗ

Για τις κεφαλές HITACHI Brain ή για τις κεφαλές HITACHI από κράμα, χρησιμοποιήστε μόνο την εύκαμπτη, μη μεταλλική σειρά που συστήνεται από τον κατασκευαστή. Ποτέ μη χρησιμοποιείτε σύρμα ή συρμάτινα σχοινιά. Μπορεί να κοπούν και να αποτελέσουν κίνδυνο εάν εκτοξευθούν.

### ΣΗΜΕΙΩΣΗ

Όταν χρησιμοποιείτε κεφαλή HITACHI από κράμα (CH-100), το αρχικό μήκος της γραμμής κοπής πρέπει να είναι περίπου 17 εκ. το καθένα. (Εικ. 20)

## Διαδικασία λειτουργίας

### Καύσιμο (Εικ. 21)

### ⚠ ΠΡΟΕΙΔΟΠΟΙΗΣΗ

- Ο κόφτης είναι εφοδιασμένος με δίτροχο κινητήρα. Πάντοτε να λειτουργείτε τον κινητήρα με καύσιμο που είναι αναμιγμένο με λάδι. Να παρέχετε επαρκή αερισμό, κατά την παροχή καυσίμου ή το χειρισμό καυσίμου.
- Το καύσιμο περιέχει εύφλεκτα υγρά και είναι δυνατόν να τραυματιστείτε βαριά όταν το εισπνέετε ή το ριζέτε πάνω στο σώμα σας. Προσέχετε πάντα κατά το χειρισμό του καυσίμου. Πάντοτε να παρέχετε καλό αερισμό κατά τον χειρισμό του καυσίμου μέσα στο κτίριο.

### Καύσιμο

- Πάντοτε να χρησιμοποιείτε επώνυμη αμόλυβδη βενζίνη 89 οκτανίων.
- Χρησιμοποιείτε αυθεντικό δίχρονο λάδι ή ένα μίγμα μεταξύ 25:1 έως 50:1, παρακαλούμε να συμβουλευτείτε τη φιάλη λαδιού ή τον εμπορικό αντιπρόσωπο της HITACHI για την αναλογία.
- Εάν δεν είναι διαθέσιμο το αυθεντικό λάδι, χρησιμοποιείτε ένα λάδι ποιότητας αντι-οξειδωτικού προσθέτου με ρητή επισήμανση χρήσης για αερόψυκτους δίχρονους κινητήρες (JASO FC GRADE OIL ή ISO EGC GRADE). Μην χρησιμοποιείτε BIA ή TCW (για υδροψυκτους δίχρονους κινητήρες) ανάμικτο λάδι.
- Ποτέ μην χρησιμοποιείτε λάδι μεταβλητής ρευστότητας (10 W/30) ή χρησιμοποιούμενο λάδι.
- Πάντοτε να αναμιγνύετε το καύσιμο και το λάδι σε ένα ξεχωριστό καθαρό δοχείο.

Πάντα να ξεκινάτε γεμίζοντας μισή ποσότητα του καυσίμου, που πρόκειται να χρησιμοποιηθεί. Στη συνέχεια προσθέστε ολόκληρη την ποσότητα του λαδιού. Αναμίξτε (ανακινήστε) το μίγμα καυσίμου. Προσθέστε την υπολοίπη ποσότητα λαδιού. Αναμίξτε (ανακινήστε) το μίγμα καυσίμου πριν το βάλετε στη δεξαμενή καυσίμου.

### Παροχή καυσίμου

### ⚠ ΠΡΟΕΙΔΟΠΟΙΗΣΗ

- Πάντοτε να σβήνετε τον κινητήρα πριν από τον ανεφοδιασμό καυσίμου.
- Ανοίξτε αργά τη δεξαμενή καυσίμου, όταν την ανεφοδιάζετε με καύσιμο, έτσι ώστε να εξαφανιστεί μια πιθανή υπερπίεση.
- Μετά τον ανεφοδιασμό σφίξτε προσεκτικά το καπάκι καυσίμου.
- Πάντα να μετακινείτε τη συσκευή 3 μ από την περιοχή ανεφοδιασμού πριν να τη θέσετε σε λειτουργία.
- Πλένετε πάντα με σαπούνι οποιοδήποτε καύσιμο που έπεσε πάνω στα ρούχα σας.
- Βεβαιωθείτε ότι ελέγχετε οποιαδήποτε διαρροή καυσίμου μετά τον ανεφοδιασμό.

Πριν τον ανεφοδιασμό, καθαρίστε καλά το καπάκι της δεξαμενής για να εξασφαλίσετε ότι δεν θα πέσουν βρωμιές στη δεξαμενή. Εξασφαλίστε ότι το καύσιμο είναι καλά αναμιγμένο, κουνώντας το δοχείο, πριν την παροχή καυσίμου.

### Ξεκινώντας (Εικ. 22, 23, 24, 25)

### ΠΡΟΕΙΔΟΠΟΙΗΣΗ

Πριν την εκκίνηση, σιγουρευτείτε ότι το εξάρτημα κοπής δεν ακουμπά κάτω.

1. Τοποθετήστε το διακόπτη ανάφλεξης (1) στη θέση ON. (Εικ. 22, 23)
  - \* Σπρώξτε το βολβό αρχικής πλήρωσης καυσίμου (4) μερικές φορές έτσι ώστε το καύσιμο να τρέξει μέσω του σωλήνα επιστροφής (5) (Εάν παρέχεται) (Εικ. 24).
2. Με την ασφάλεια της σκανδάλης του γκαζιού (2) πατημένη (αν παρέχεται), πατήστε τη σκανδάλη του γκαζιού και σπρώξτε το κλειδώμα της σκανδάλης του γκαζιού (3), στη συνέχεια αφήστε σιγά-σιγά τη σκανδάλη του γκαζιού και μετά την ασφάλεια της σκανδάλης του γκαζιού. Η ενέργεια αυτή θα κλειδώσει το γκάτζι στη θέση εκκίνησης. (Εικ. 22, 23)
3. Ρυθμίστε το μοχλό τσοκ στη θέση CLOSED (κλειστο) (4). (Εικ. 25)
4. Τραβήξτε απότομα τον εκκινητήρα ανατύλιξης, προσέχοντας να κρατήσετε το χερούλι και να μην το αφήσετε να γυρίσει πίσω.
5. Όταν ακούτε τον κινητήρα να προσπαθεί να ξεκινήσει, τοποθετήστε το μοχλό τσοκ πίσω στη θέση λειτουργία RUN (ανοιχτό). Έπειτα τραβήξτε ξανά τον εκκινητήρα ανατύλιξης απότομα.

### ΣΗΜΕΙΩΣΗ

Αν ο κινητήρας δεν ξεκινά, επαναλάβετε τα βήματα από το 2 έως το 5.

6. Μετά την εκκίνηση του κινητήρα, τραβήξτε τη σκανδάλη γκαζιού για να ελευθερωθεί η ασφάλεια γκαζιού. Έπειτα αφήστε τον κινητήρα να ζεσταθεί για 2-3 λεπτά πριν τη χρήση οποιοδήποτε φορτίου.

### Κοπή (Εικ. 26, 27, 28, 29)

- Κατά την κοπή, να λειτουργείτε τον κινητήρα με πάνω από 6500 στροφές το λεπτό. Παρατεταμένη λειτουργία σε χαμηλές στροφές το λεπτό μπορεί να προκαλέσει πρόωρη φθορά του συμπλέκτη.
- Κόψτε το γρασίδι από τα δεξιά προς τα αριστερά.
- Μπορεί να παρουσιαστεί προωστική ισχύς λεπίδας όταν η περιστρεφόμενη λεπίδα έρθει σε επαφή με ένα στερεό αντικείμενο στην κρίσιμη επιφάνεια. Μπορεί να προκληθεί μια επικίνδυνη αντίδραση έχοντας ως αποτέλεσμα τη βίαιη εξακόντιση ολόκληρης της συσκευής και του χειριστή της. Αυτό το φαινόμενο ονομάζεται προωστική ισχύς λεπίδας. Ως αποτέλεσμα, ο χειριστής μπορεί να χάσει τον έλεγχο της συσκευής κάτω το οποίο μπορεί να προκαλέσει σοβαρό ή θανατηφόρο τραυματισμό. Η προωστική ισχύς της λεπίδας είναι πιθανότερο να εμφανιστεί σε περιοχές όπου είναι δύσκολο να δει κάποιος το υλικό προς κοπή.
- Φοράτε το λουρί όπως φαίνεται στην εικόνα (εάν παρέχεται). Η λεπίδα περιστρέφεται αντίθετα από τη φορά του ρολογιού, έτσι, σας συμβουλευόμενα να χειρίζεστε τη συσκευή από τα δεξιά προς τα αριστερά για αποτελεσματική κοπή. Κρατείστε τα άτομα που παρακολουθούν σε απόσταση το λιγότερο 15 μ. από το χώρο εργασίας.

## ΣΗΜΕΙΩΣΗ

Πιέστε το κουμπί γρήγορης απελευθέρωσης ή τραβήξτε το πτερύγιο απελευθέρωσης έκτακτης ανάγκης (εάν παρέχεται) σε περίπτωση έκτακτης ανάγκης. (Εικ. 28)

### ⚠️ ΠΡΟΕΙΔΟΠΟΙΗΣΗ

Εάν το εξάρτημα κοπής χτυπήσει πάνω σε πέτρες ή άλλα θραύσματα, σταματήστε τον κινητήρα και σιγουρευτείτε ότι το εξάρτημα και τα σχετικά τμήματα είναι άθικτα. Όταν γρασίδι ή φύλλα τυλιχτούν γύρω από το εξάρτημα, σταματήστε τον κινητήρα και αφαιρέστε τα.

### Σταμάτημα (Εικ. 30)

Ελλατώστε την ταχύτητα του κινητήρα και λειτουργήστε τη συσκευή στο ρελαντί για μερικά λεπτά, έπειτα κλείστε το διακόπτη ανάφλεξης.

### ⚠️ ΠΡΟΕΙΔΟΠΟΙΗΣΗ

Ένα εξάρτημα κοπής μπορεί να προκαλέσει τραυματισμό καθώς συνεχίζει να περιστρέφεται αφότου σταματήσει ο κινητήρας ή ελευθερωθεί ο έλεγχος λειτουργίας. Όταν η συσκευή είναι κλειστή, βεβαιωθείτε ότι το εξάρτημα κοπής έχει σταματήσει να λειτουργεί πριν τοποθετήσετε τη συσκευή κάτω.

## Συντήρηση

Η ΣΥΝΤΗΡΗΣΗ, ΑΝΤΙΚΑΤΑΣΤΑΣΗ Ή Η ΕΠΙΣΚΕΥΗ ΤΩΝ ΣΥΣΚΕΥΩΝ ΕΛΕΓΧΟΥ ΤΩΝ ΚΑΥΣΑΕΡΙΩΝ ΚΑΙ ΤΟΥ ΣΥΣΤΗΜΑΤΟΣ ΜΠΟΡΟΥΝ ΝΑ ΓΙΝΟΥΝ ΑΠΟ ΕΝΑ ΣΥΝΕΡΓΕΙΟ ΕΙΔΙΚΟ ΣΕ ΕΚΤΟΣ ΔΡΟΜΟΥ ΚΙΝΗΤΗΡΗΣ Ή ΑΠΟ ΈΝΑΝ ΤΕΧΝΙΚΟ.

### Ρύθμιση του καρμπυρατέρ (Εικ. 31)

### ⚠️ ΠΡΟΕΙΔΟΠΟΙΗΣΗ

Το εξάρτημα κοπής μπορεί να περιστρέφεται κατά τη διάρκεια των ρυθμίσεων του καρμπυρατέρ.

### ⚠️ ΠΡΟΕΙΔΟΠΟΙΗΣΗ

Ποτέ μην εκκινείτε τον κινητήρα χωρίς να έχετε συναρμολογήσει πλήρως το κάλυμμα του συμπλέκτη και το σωλήνα! Διαφορετικά ο συμπλεκτικός μπορεί να λασκάρει και να προκαλέσει τραυματισμό.

Στο καρμπυρατέρ, το καύσιμο ανακατεύεται με αέρα. Κατά τη δοκιμή του κινητήρα στο εργοστάσιο, το καρμπυρατέρ είναι ρυθμισμένο. Μια πρόσθετη ρύθμιση μπορεί να απαιτηθεί, σύμφωνα με το κλίμα και το υψόμετρο. Το καρμπυρατέρ έχει μια δυνατότητα ρύθμισης.  
**T = Βίδα ρύθμισης ταχύτητας ρελαντί.**

### Ρύθμιση ταχύτητας ρελαντί (T)

Ελέγξτε ότι το φίλτρο του αέρα είναι καθαρό. Όταν η ταχύτητα του ρελαντί είναι σωστή, το εξάρτημα κοπής δεν θα περιστρέφεται. Αν απαιτείται ρύθμιση, κλείστε (δεξιόστροφα) την T-βίδα, με τον κινητήρα σε λειτουργία, μέχρι το εξάρτημα κοπής να αρχίσει να περιστρέφεται. Ξεβιδώστε (αριστερόστροφα) τη βίδα μέχρι να σταματήσει το εξάρτημα κοπής. Η σωστή ταχύτητα του ρελαντί έχει επιτευχθεί όταν ο κινητήρας δουλεύει ομαλά σε όλες τις θέσεις, πολύ πιο κάτω από τις στροφές ανά λεπτό που έχει όταν το εξάρτημα κοπής αρχίζει να περιστρέφεται. Αν το εξάρτημα κοπής περιστρέφεται ακόμα μετά τη ρύθμιση ταχύτητας του ρελαντί, επικοινωνήστε με τον εμπορικό αντιπρόσωπο της HITACHI.

## ΣΗΜΕΙΩΣΗ

Οι κανονικές στροφές ανά ώρα σε λειτουργία ρελαντί είναι 2500~3000 στροφές ανά ώρα.

## ΣΗΜΕΙΩΣΗ

Μερικά μοντέλα που πωλούνται σε περιοχές με αυστηρούς νόμους εκπομπής καυσαερίων δεν διαθέτουν τις ρυθμίσεις για υψηλή και χαμηλή ταχύτητα. Τέτοιες ρυθμίσεις μπορεί να επιτρέψουν τη λειτουργία του κινητήρα έξω από το επιτρεπόμενο όριο εκπομπής καυσαερίων. Για αυτά τα μοντέλα, η μόνη ρύθμιση του καρμπυρατέρ είναι η ρύθμιση της ταχύτητας του ρελαντί.

Για μοντέλα εξοπλισμένα με ρυθμίσεις χαμηλής και υψηλής ταχύτητας, τα καρμπυρατέρ είναι προρυθμισμένα από το εργοστάσιο. Δευτερεύουσες ρυθμίσεις μπορεί να βελτιστοποιήσουν την απόδοση με βάση το κλίμα, το υψόμετρο κτλ. Ποτέ μη περιστρέψετε τις ρυθμιστικές βίδες κατά διαστήματα μεγαλύτερα των 90°, καθώς μπορεί να προκληθεί βλάβη στον κινητήρα λόγω λανθασμένης ρύθμισης. Εάν δεν είστε εξοικειωμένοι με τον τύπο ρύθμισης ζητήστε βοήθεια από τον εμπορικό αντιπρόσωπο της HITACHI.

### ⚠️ ΠΡΟΕΙΔΟΠΟΙΗΣΗ

Όταν ο κινητήρας βρίσκεται σε ρελαντί, το εξάρτημα κοπής δεν πρέπει σε καμία περίπτωση να περιστρέφεται.

### Φίλτρο αέρα (Εικ. 32)

Το φίλτρο αέρα πρέπει να είναι καθαρό από σκόνη και βρωμιά για την αποφυγή:

- Δυσλειτουργίας καρμπυρατέρ
- Προβλημάτων εκκίνησης
- Μείωσης δύναμης του κινητήρα
- Περιττής φθοράς των μερών του κινητήρα
- Μη κανονικής κατανάλωσης καυσίμου

Καθαρίζετε το φίλτρο αέρα καθημερινά ή συχνότερα όταν εργάζεστε σε περιοχές με υπερβολική σκόνη.

### Καθαρισμός του φίλτρου αέρα

Αφαιρέστε το κάλυμμα του φίλτρου αέρα και το φίλτρο (1). Ξεπλένετε με ζεστό σαπουνόνερο. Ελέγξτε ότι το φίλτρο είναι καθαρό πριν την επανασυναρμολόγηση. Ένα φίλτρο αέρα που έχει χρησιμοποιηθεί για κάποιο διάστημα, δεν μπορεί να καθαριστεί πλήρως. Επομένως, πρέπει να αντικαθίσταται τακτικά με ένα νέο. Ένα καταστραμμένο φίλτρο πρέπει να αντικαθίσταται.

### Φίλτρο καυσίμου (Εικ. 33)

Αδειάστε όλο το καύσιμο από τη δεξαμενή καυσίμου και αφαιρέστε το φίλτρο καυσίμου από τη δεξαμενή. Τραβήξτε τα στοιχεία του φίλτρου έξω από το στήριγμα και ξεπλύνετε το φίλτρο με ζεστό νερό και απορρυπαντικό. Ξεπλύνετε καλά μέχρι να βεβαλωθεί όλο το απορρυπαντικό. Πιέστε, μην σύψετε, το παραπάνω νερό και αφήστε το φίλτρο να στεγνώσει με τον αέρα.

## ΣΗΜΕΙΩΣΗ

Εάν το φίλτρο είναι σκληρό εξαιτίας υπερβολικής βρωμιάς, αντικαταστήστε το.

## Μπουζί (Εικ. 34)

Η κατάσταση του μπουζί επηρεάζεται από:

- Λανθασμένη ρύθμιση του καρμπυρατέρ
  - Λανθασμένο μίγμα καυσίμου (παραπάνω από την κανονική ποσότητα λαδιού στη βενζίνη)
  - Βρώμικο φίλτρο αέρα
  - Δύσκολες συνθήκες λειτουργίας (όπως ψυχρός καιρός)
- Αυτοί οι παράγοντες δημιουργούν επικαθήσεις στα ηλεκτρόδια του μπουζί και μπορεί να προκαλέσουν δυσλειτουργία και δυσκολίες εκκίνησης. Αν ο κινητήρας έχει μικρή ισχύ, δυσκολεύεται να ξεκινήσει ή δεν λειτουργεί σωστά στην ταχύτητα του ρελαντί, πάντοτε ελέγχετε πρώτα το μπουζί. Αν το μπουζί είναι βρώμικο, καθαρίστε το και ελέγξτε το κενό των ηλεκτροδίων. Επαναρυθμίστε εάν είναι απαραίτητο. Το σωστό κενό είναι 0,6 χιλ. Το μπουζί πρέπει να αντικατασταθεί μετά από περίπου 100 ώρες λειτουργίας ή νωρίτερα εάν τα ηλεκτρόδια είναι πολύ φθαρμένα.

## ΣΗΜΕΙΩΣΗ

Σε ορισμένες περιοχές οι τοπικές διατάξεις απαιτούν τη χρήση ενός μπουζί αντίστασης για την καταστολή των σημάτων ανάφλεξης. Αν αυτό το μηχανήμα ήταν αρχικά εφοδιασμένο με μπουζί αντίστασης, χρησιμοποιείστε τον ίδιο τύπο μπουζί κατά την αντικατάσταση.

## Γωνιακή μετάδοση (Εικ. 35)

Ελέγξτε τη γωνιακή μετάδοση ή το γωνιακό γρανάζι για το επίπεδο του γράσου κάθε 50 ώρες λειτουργίας αφαιρώντας το βύσμα πλήρωσης του γράσου στην πλευρά της γωνιακής μετάδοσης.

Εάν δεν υπάρχει γράσο στα πλαινά των ταχυτήτων, γεμίστε τη μετάδοση με ένα γενικής χρήσης, καλής ποιότητας γράσο βασισμένο στο λίθιο μέχρι τα 3/4. Μην γεμίζετε εντελώς τη μετάδοση.

## Λεπίδα (Εικ. 36)

### ⚠ ΠΡΟΕΙΔΟΠΟΙΗΣΗ

**Φοράτε προστατευτικά γάντια κατά το χειρισμό ή τη συντήρηση της λεπίδας.**

- Χρησιμοποιείτε αιχμηρή λεπίδα. Μια στομωμένη λάμα είναι πιο πιθανό να ραγίσει και να κλωσήσει. Αντικαταστήστε το παξιμάδι σύσφιξης εάν είναι φθαρμένο και δύσκολο να σφίξει.
- Όταν αντικαθιστάτε τη λεπίδα, αγοράστε μια η οποία συνιστάται από την HITACHI, με τρύπα στερέωσης 25,4 χιλ. (μία ίντσα).
- Όταν τοποθετείτε μια πριωντή λάμα (2), πάντα να τοποθετείτε τη σφραγισμένη πλευρά προς τα επάνω. Στην περίπτωση λεπίδας 4 δοντιών (1), αυτή μπορεί να χρησιμοποιηθεί και από τις δύο πλευρές.
- Χρησιμοποιήστε τη σωστή λεπίδα ανάλογα με το είδος της εργασίας.
- Όταν αντικαθιστάτε τις λεπίδες, να χρησιμοποιείτε τα κατάλληλα εργαλεία.
- Όταν οι άκρες κοπής στομώσουν, ακονίστε τις ξανά ή λιμάρετε τις όπως φαίνεται στην εικόνα. Το λανθασμένο ακόνισμα μπορεί να προκαλέσει υπερβολική δόνηση.
- Πετάξτε τις λεπίδες που παρουσιάζουν κάμψη, στρέβλωση, ράγισμα, σπάσιμο ή έχουν με οποιοδήποτε τρόπο φθαρεί.

## ΣΗΜΕΙΩΣΗ

Όταν ακονίζετε τη λεπίδα είναι σημαντικό να διατηρήσετε την αρχική μορφή της ακτίνας στη βάση του δοντιού για την αποφυγή του ραγίσματος.

## Πρόγραμμα συντήρησης

Παρακάτω θα βρείτε ορισμένες γενικές οδηγίες συντήρησης. Για περισσότερες πληροφορίες απευθυνθείτε σε έναν εμπορικό αντιπρόσωπο της HITACHI.

### Ημερήσια συντήρηση

- Καθαρίστε το εξωτερικό της συσκευής.
- Ελέγξτε ότι το λουρί δεν έχει φθαρεί.
- Ελέγξτε τον προφυλακτήρα της λεπίδας για ζημιά ή ραγίσματα. Αντικαταστήστε τον προφυλακτήρα σε περίπτωση χτυπήματος ή ραγίσματος.
- Ελέγξτε ότι το εξάρτημα κοπής είναι κατάλληλα κεντραρισμένο, αιχμηρό και χωρίς ραγίσματα. Ένα μη κεντραρισμένο εξάρτημα κοπής προκαλεί ισχυρές δονήσεις που μπορούν να βλάψουν τη συσκευή.
- Ελέγξτε ότι το παξιμάδι του εξαρτήματος κοπής είναι επαρκώς σφιγμένο.
- Βεβαιωθείτε ότι ο προφυλακτήρας μεταφοράς της αλυσίδας δεν έχει ζημιά και μπορεί να στερεωθεί με ασφάλεια.
- Ελέγξτε ότι τα παξιμάδια και οι βίδες είναι επαρκώς σφιγμένα.

### Εβδομαδιαία συντήρηση

- Ελέγξτε τον εκκινητήρα, ειδικά το σκονί.
- Καθαρίστε το εξωτερικό μπουζί.
- Αφαιρέστε το μπουζί και ελέγξτε το κενό του ηλεκτροδίου. Ρυθμίστε το στα 0,6 χιλ ή αλλάξτε το μπουζί.
- Βεβαιωθείτε ότι δεν εμποδίζεται η εισαγωγή αέρα στον εκκινητήρα.
- Ελέγξτε ότι το γωνιακό γρανάζι είναι γεμάτο με γράσο μέχρι τα 3/4.
- Καθαρίστε το φίλτρο αέρα.

### Μηνιαία συντήρηση

- Ξεπλύντε τη δεξαμενή καυσίμου με βενζίνη και καθαρίστε το φίλτρο καυσίμου.
- Καθαρίστε το εξωτερικό του καρμπυρατέρ και το χώρο γύρω από αυτό.


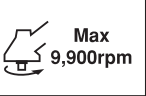








### Τριμηνιαία συντήρηση

- Να καθαρίζετε τα πτερύγια ψύξης στον κύλινδρο.
- Καθαρίστε τον ανεμιστήρα και το χώρο γύρω από αυτό.
- Καθαρίστε το σιγαστήρα από τη μουτζούρα.

### ΠΡΟΕΙΔΟΠΟΙΗΣΗ

Το καθάρισμα των πτερυγίων, του ανεμιστήρα και του σιγαστήρα θα πρέπει να αναλαμβάνει ένα Εξουσιοδοτημένο Κέντρο Υπηρεσιών της HITACHI.

**Znaczenie symboli****UWAGA** : Niektóre urządzenia ich nie mają.

	<p><b>Symbole</b>  <b>⚠ OSTRZEŻENIE</b>          Następujące oznaczenia to symbole używane w instrukcji obsługi maszyny.          Upewnij się, że rozumiesz ich znaczenie zanim użyjesz narzędzia.</p>		
	<p>Istotne jest przeczytanie, pełne zrozumienie i przestrzeganie poniższych środków bezpieczeństwa i ostrzeżeń. Nieostrożne lub niewłaściwe używanie urządzenia może spowodować poważne obrażenia lub śmierć.</p>		<p>Wskazuje maksymalną prędkość wata. Nie należy używać akcesoriów tnących, których maksymalna prędkość w obr./min. jest mniejsza, niż prędkość wata.</p>
	<p>Przeczytać, zrozumieć i przestrzegać wszystkich ostrzeżeń oraz instrukcji zawartych w tym podręczniku i umieszczonych na urządzeniu.</p>		<p>W razie potrzeby należy nosić rękawice – na przykład podczas zakładania akcesoriów tnących.</p>
	<p>Podczas używania urządzenia zawsze stosować ochronę oczu, głowy i słuchu.</p>		<p>Nosić solidne obuwie antypoślizgowe.</p>
	<p>Nie używać ostrzy metalowych/sztucznych, jeżeli urządzenie oznaczone jest tym znakiem.</p>		<p>Urządzenie może zostać gwałtownie zatrzymane, jeżeli obracające się ostrze natrafi na twardą przeszkodę. Może to prowadzić do niebezpiecznej sytuacji, gdyż urządzenie wraz użytkownikiem może zostać gwałtownie odrzucone do tyłu. Reakcja ta jest nazywana odrzutem ostrza. W takim przypadku, operator może stracić kontrolę nad urządzeniem, co z kolei może być przyczyną poważnych obrażeń lub nawet śmierci. Odrzut ostrza może nastąpić w szczególności podczas pracy w miejscach, w których przycinany materiał nie jest łatwy do obserwacji.</p>
	<p>Dzieci, obserwatorzy i wszelkiego rodzaju osoby postronne powinny pozostawać w odległości co najmniej 15 m od urządzenia. Jeżeli ktokolwiek się zbliży, należy natychmiast wyłączyć silnik, zatrzymując ostrze.</p>		
	<p>Należy uważać na odrzucane przedmioty.</p>		
<p><b>Przed przystąpieniem do pracy z urządzeniem, należy</b></p> <ul style="list-style-type: none"> <li>• Dokładnie przeczytać instrukcję obsługi.</li> <li>• Upewnić się, że akcesoria tnące są prawidłowo zmontowane i zamocowane.</li> <li>• Uruchomić urządzenie i sprawdzić regulację gaźnika. Patrz "KONSERWACJA".</li> </ul>			

**Spis treści**

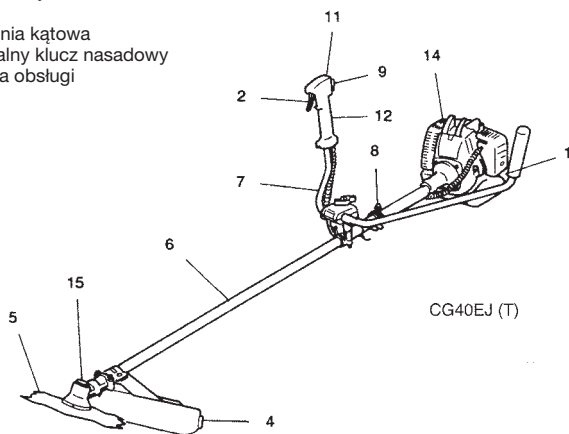
Zasadnicze podzespoły urządzenia .....	2
Ostrzeżenie i instrukcje bezpieczeństwa.....	3
Specyfikacje .....	4
Procedury montażu .....	5
Procedury obsługi .....	6
Konserwacja .....	7



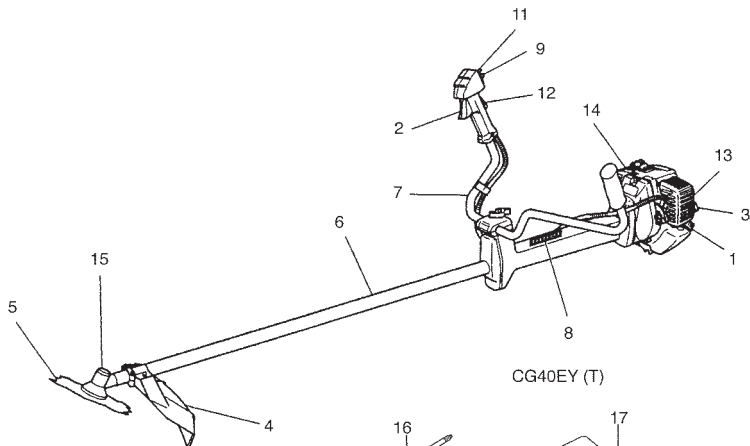
## Zasadnicze podzespoły urządzenia

Niniejsza instrukcja dotyczy kilku modeli, mogą więc występować pewne różnice pomiędzy ilustracjami, a rzeczywistym wyglądem urządzenia posiadanego przez użytkownika. Należy stosować się do zaleceń dotyczących posiadanego urządzenia.

1. Korek paliwa
2. Wyzwalacz przepustnicy
3. Uchwyt startera
4. Osłona ostrza
5. Akcesorium tnące
6. Obudowa wału napędowego
7. Uchwyt do przenoszenia
8. Oczko do zawieszenia
9. Przełącznik zapłonu
10. Uprząż
11. Blokada przepustnicy
12. Element do wysuwania przepustnicy
13. Dźwignia zasysacza
14. Silnik
15. Przekładnia kątowna
16. Uniwersalny klucz nasadowy
17. Instrukcja obsługi



CG40EJ (T)



CG40EY (T)

# Ostrzeżenie i instrukcje bezpieczeństwa

## Bezpieczeństwo operatora

- Należy zawsze nosić osłonę twarzy lub gogle.
- Należy zawsze nosić ciężkie, długie spodnie, wysokie buty oraz rękawice. Nie wolno nosić luźnej odzieży, biżuterii, krótkich spodni, sandałów lub chodzić bosą. Zabezpieczyć włosy tak, aby nie spadały na ramiona.
- Nie wolno używać urządzenia, gdy jest się zmęczonym, chorym lub pod wpływem alkoholu, narkotyków lub leków.
- Nigdy nie wolno zezwalać na obsługę maszyny przez dziecko lub osobę niedoświadczoną.
- Stosować ochronę narządu słuchu. Zwracać baczną uwagę na otoczenie. Uważać na osoby znajdujące się w pobliżu, które mogą sygnalizować problemy. Zdjąć zabezpieczenia ochronne natychmiast po wyłączeniu silnika.
- Stosować ochronę głowy.
- Nigdy nie uruchamiać lub pracować silnikiem wewnątrz zamkniętego pomieszczenia lub budynku. Wdychanie spalin może być śmiertelne.
- Nie zanieczyszczać rąk olejem lub paliwem.
- Trzymać ręce z dala od wyposażenia tnącego.
- Nie chwytając, ani nie trzymać urządzenia za wyposażenie tnące.
- Gdy urządzenie jest wyłączone, upewnić się, czy wyposażenie tnące zatrzymało się przed odłożeniem go.
- Podczas długotrwałej pracy robić przerwy od czasu do czasu, aby uniknąć objawów zespołu Reynauda (niedokrwienie palców rąk) powodowanego przez drgania.

## **⚠ OSTRZEŻENIE**

Systemy zapobiegające drganiem nie ochronią przed zespołem Raynauda (niedokrwieniem palców rąk), ani przed objawami zespołu cieśni nadgarstka. Dlatego w przypadku ciągłego i regularnego używania urządzenia należy dokładnie sprawdzać stan rąk i palców. W razie wystąpienia powyższych symptomów, należy zwrócić się natychmiast do lekarza po pomoc.

## **⚠ OSTRZEŻENIE**

Jeśli używa się elektrycznych/elektronicznych urządzeń medycznych, takich jak rozrusznik serca, skonsultować się z lekarzem i producentem urządzenia przed używaniem urządzenia z napędem.

## Bezpieczeństwo urządzenia / maszyny

- Przed każdym użyciem skontrolować całe urządzenie i maszynę. Wymienić uszkodzone części. Sprawdzić, czy nie ma wycieków paliwa i upewnić się, czy wszystkie łączniki są zamontowane i dobrze dokręcone.
- Przed użyciem urządzenia / maszyny wymienić części poknięte lub uszkodzone w inny sposób.
- Upewnić się, czy osłona narzędzia tnącego jest dobrze zamocowana.
- Nie dopuszczaj w pobliżu innych osób podczas regulacji gaźnika.
- Używać wyłącznie akcesoriów zalecanych przez producenta do tego rodzaju maszyny / urządzenia.

## **⚠ OSTRZEŻENIE**

Nigdy nie przerabiać urządzenia / maszyny w jakikolwiek sposób. Urządzenia / maszyny nie wolno używać do prac innych, niż zgodnych z przeznaczeniem.

## Bezpieczeństwo związane z paliwem

- Paliwo mieszać i tankować na zewnątrz w miejscu, w którym nie występują iskry lub płomienie.
- Używać wyłącznie atestowanych pojemników na paliwo.
- Nie palić tytoniu, ani nie zezwalać na palenie w pobliżu paliwa lub urządzenia / maszyny lub podczas używania urządzenia / maszyny.
- Przed uruchomieniem silnika wytrzeć rozlane paliwo.
- Przed uruchomieniem silnika odsunąć się co najmniej na 3 m od miejsca tankowania.
- Zatrzymać silnik przed zdjęciem korka paliwa.
- Opróżnić zbiornik paliwa przed składowaniem urządzenia / maszyny. Zaleca się opróżnienie zbiornika paliwa po każdym używaniu urządzenia. Jeśli paliwo pozostaje w zbiorniku, przechowywać urządzenie w taki sposób, aby paliwo nie wyciekło.
- Urządzenie / maszynę i paliwo przechowywać w takich miejscach, w których opary paliwa nie dochodzą do iskier i otwartych płomieni grzejników wody, silników elektrycznych lub wyłączników, pieców itd.

## **⚠ OSTRZEŻENIE**

Paliwo łatwo się zapala lub wybucha bądź łatwo wdycha się jego opary, dlatego należy zwrócić szczególną uwagę podczas obsługi paliwa lub tankowania.

## Bezpieczeństwo związane z cięciem

- Nie należy kosić żadnych innych materiałów, niż trawa i krzaki.
- Przed użyciem urządzenia należy sprawdzić obszar, w którym ma odbywać się koszenie. Usunąć wszelkie przedmioty, które mogą zostać odrzucone lub zakleszczone.
- W przypadku koszenia trawy opryskanej wcześniej środkiem owadobójczym, należy nosić maskę zabezpieczającą drogi oddechowe.
- Nie dopuszczać innych osób, dzieci i zwierząt oraz pomocników do strefy niebezpiecznej w promieniu 15 m. Zatrzymać silnik natychmiast, gdy zbliżają się inne osoby.
- Silnik powinien znajdować się zawsze z prawej strony tułowia użytkownika.
- Należy zawsze mocno trzymać urządzenie obiema rękami.
- Stać równo na podłożu i zachowywać równowagę. Nie przechylać się.
- Wszystkie części ciała trzymać z daleka od tłumika i wyposażenia tnącego, gdy silnik pracuje.
- Akcesorium tnące powinno znajdować się poniżej poziomu talii.
- Przy przenoszeniu się do nowego miejsca pracy upewnić się, czy maszyna została wyłączona oraz czy wszystkie narzędzia tnące zostały zatrzymane.
- Podczas pracy maszyny nigdy nie kłaść jej na ziemię.
- Zawsze upewnić się, czy silnik jest wyłączony oraz czy narzędzia tnące całkowicie zatrzymały się zanim usunie się zanieczyszczoną lub trawę z narzędzi tnących.
- Podczas obsługi wyposażenia z napędem należy zawsze nosić apteckę pierwszej pomocy.
- Nigdy nie uruchamiać lub zezwalać na pracę silnika wewnątrz zamkniętego pomieszczenia lub budynku i/lub w pobliżu palnych cieczy. Wdychanie spalin może być śmiertelne.

## Bezpieczeństwo związane z konserwacją

- Konserwację urządzenia / maszyny należy wykonywać zgodnie z zalecanymi procedurami.
- Odłączyć świecę zapłonową przed wykonaniem konserwacji z wyjątkiem regulacji gaźnika.
- Nie dopuszczać w pobliżu innych osób podczas regulacji gaźnika.
- Używać wyłącznie oryginalnych części zamiennych firmy HITACHI, zalecanych przez producenta.

## OSTROŻNIE

Nie demontować rozrusznika zamachowego. Można narazić się na obrażenia spowodowane sprężyną zamachową.

## Transport i magazynowanie

- Urządzenie / maszynę należy przenosić ręcznie po wyłączeniu silnika z tłumikiem odwróconym od ciała.
- Odczekać, aż silnik ostygnie, opróżnić zbiornik paliwa i zabezpieczyć urządzenie / maszynę przed odłożeniem do magazynu lub transportem w pojeździe.
- Opróżnić zbiornik paliwa przed składowaniem urządzenia / maszyny. Zaleca się opróżnienie zbiornika paliwa po każdym używaniu urządzenia. Jeśli paliwo pozostaje w zbiorniku, przechowywać urządzenie w taki sposób, aby paliwo nie wyciekło.
- Przechowywać maszynę poza zasięgiem dzieci.
- Dokładnie oczyścić i zakonserwować urządzenie, po czym przechowywać je w suchym miejscu.
- Podczas transportu lub magazynowania upewnić się, że wyłącznik maszyny jest wyłączony.
- W przypadku transportu w pojeździe, zabezpieczyć ostre za pomocą osłony.

W sytuacjach nieopisanych w niniejszym podręczniku zachować ostrożność i kierować się zdrowym rozsądkiem. W razie potrzeby pomocy, skontaktować się z dystrybutorem firmy HITACHI. Zwracać szczególną uwagę na zapisy poprzedzone następującymi słowami:

## **⚠ OSTRZEŻENIE**

Wskazuje na duże prawdopodobieństwo poważnych obrażeń ciała lub utraty życia w przypadku nieprzestrzegania instrukcji.

## OSTROŻNIE

Wskazuje na możliwość obrażeń ciała lub uszkodzenie wyposażenia w przypadku nieprzestrzegania instrukcji.

## UWAGA

Zawiera pomocne informacje dla poprawnego funkcjonowania i użytkowania.

## Specyfikacje

MODEL		CG40EY (T)	CG40EJ (T)
Silnik			
Pojemność skokowa (cm <sup>3</sup> ) (ml)		39.8	
Świeca zapłonowa		NGK BPM6A lub równy	
Prędkość biegu jałowego (min <sup>-1</sup> )		2,800	
Maks. zalecana prędkość (min <sup>-1</sup> )		11,000	
Prędkość wału zdawczego (min <sup>-1</sup> )		8,300	
Maks. moc silnika (kW)		1.31 (@7000 min <sup>-1</sup> )	
Pojemność zbiornika paliwa (cm <sup>3</sup> ) (ml)		1,000	
Ciężar na sucho (kg)		8.3	7.1
Akcesorium tnące		Typ / Śred. (mm)	
		Ostrze metalowe 3Tx305	Ostrze metalowe 3Tx305
Poziom ciśnienia dźwięku		(ISO 22868)	
LpA (dB (A))		Równy	
		93.7	93.7
		Niepewność	
		0.2	0.2
Zmierzony poziom mocy akustycznej		(ISO 22868 )	
LwA (dB (A))		Równy	
		104	104
Gwarantowany poziom mocy akustycznej		(2000/14/EC)	
LwA (dB (A))		Praca	
		116	116
Poziom drgań (m/s <sup>2</sup> )		(ISO 22867)	
Równoważny (przód / lewa rękojeść)		1.3	2.2
Równoważny (tył / prawa rękojeść)		1.1	2.3
Niepewność		1.5	1.5
Jałowy (przód / lewa rękojeść)		1.2	2.2
Jałowy (tył / prawa rękojeść)		1.2	2.3
Praca (przód / lewa rękojeść)		1.3	2.2
Praca (tył / prawa rękojeść)		0.9	2.3

UWAGA: Równoważny poziom hałasu/równoważne poziomy drgań obliczane są jako całkowita energia ważona czasowo dla poziomów hałasu/drgań w różnych warunkach pracy przy następującym cyklu czasowym: 1/2 oczekiwanie, 1/2 praca.

\* Wszystkie dane mogą zostać być zmienione bez uprzedzenia.

---

# Procedury montażu

---

## Montaż wału napędowego z silnikiem (Rys. 1)

Przymocować silnik do obudowy sprzęgła (2) przy pomocy dostarczonych czterech śrub (1).

## Instalacja uchwytu (Rys. 2)

Przymocować uchwyt do rury wału napędowego pod kątem w stronę silnika.

Przed uruchomieniem wyregulować na najbardziej wygodne położenie, ale niezbyt blisko głowicy napędowej.

## Instalacja uchwytu (Rys. 3, 4)

Zdjąć wspornik uchwytów (1) z zespołu. (Rys. 3)

Umieścić uchwyt i przymocować lekko wspornik przy pomocy czterech uchwytów. Wyregulować odpowiednie położenie.

Następnie przymocować mocno śrubami.

Odhaczyć wkładkę narożną i owinać linki stopu w rurce z linką przepustnicy (1). (Rys. 4)

## UWAGA dotycząca CG40EY (T) (Rys. 5, 6)

Wał napędowy i silnik tego modelu zmontowane są fabrycznie.

Wystarczy jedynie przymocować zacisk przepustnicy do uchwytu przy pomocy śruby z nakrętką i zamontować na wspornikach uchwytu. Nakrętkę gałki dokręcić mocno ręcznie.

## Instalacja uchwytu dla CG40EJ (T) (Rys. 7, 8)

Umieścić uchwyt i przymocować lekko wspornik przy pomocy gałki uchwytu. Wyregulować odpowiednie położenie. Następnie przymocować mocno gałką uchwytu.

Przymocować zacisk przepustnicy do uchwytu przy pomocy śruby z nakrętką.

## UWAGA

Przymocować rurę ochronną na wale napędowym lub uchwycie przy pomocy opasek linki.

## Linka przepustnicy / stopu

Zdjąć pokrywę filtra powietrza. (Rys. 9)

Podłączyć linki stopu. (Rys. 10)

Podłączyć końcówkę linki przepustnicy do gaźnika. (Rys. 11)

Linkę przepustnicy i linki stopu prowadzić w rurce ochronnej aż do pokrywy filtra powietrza. (Rys. 12)

## Zakładanie osłony ostrza (Rys. 13, 14, 15, 16)

### UWAGA

W przypadku niektórych modeli, wspornik osłony jest fabrycznie zamontowany do obudowy.

Zainstalować osłonę narzędzia tnącego na wale napędowym przy przekładni kątowej. Dokręcić mocno wspornik osłony tak, aby osłona nie odchyliła się lub nie wysunęła podczas pracy.

### OSTROŻNIE

Niektóre osłony ostrza są wyposażone w ostre ograniczniki proste. Podczas postępowania się nimi należy zachować ostrożność.

### UWAGA (Rys. 14)

W przypadku korzystania w urządzeniu z głowicy aluminiowej HITACHI (CH-100 lub CH-300), ostry ogranicznik (2) dostarczany w woreczku z akcesoriami powinien zostać solidnie przymocowany do osłony ostrza za pomocą śruby (3).

W przypadku używania głowicy przycinającej z osłoną ostrza typu dwuczęściowego, należy przymocować element rozszerzający do osłony ostrza. (Rys. 15)

### UWAGA

W przypadku zakładania elementu rozszerzającego do osłony ostrza, ostry ogranicznik prosty musi wcześniej zostać zdjęty (jeżeli został założony).

### UWAGA

Jeżeli w urządzeniu posiadanym przez użytkownika na drążku umieszczona jest etykieta wskazująca położenie osłony, należy założyć ją zgodnie z ilustracją.

### UWAGA

Aby zdemontować element rozszerzający osłony, należy postępować w sposób pokazany na rysunkach. Należy zawsze nosić rękawice, ponieważ element rozszerzający jest wyposażony w ostry ogranicznik. Aby przeprowadzić demontaż, należy po kolei wcisnąć cztery kwadratowe klapki znajdujące się w osłonie. (Rys. 16)

### Zakładanie ostrza tnącego (Rys. 17, 18)

(jeżeli urządzenie jest wyposażone w ten sposób)

Przed założeniem ostrza należy upewnić się, że ostrze nie jest w żaden sposób uszkodzone lub pęknięte, a krawędzie tnące są skierowane w odpowiednią stronę.

### UWAGA

- Kiedy zakładana jest pokrywa uchwytu ostrza (1), należy pamiętać, że jej powierzchnia wklęsła ma być skierowana ku górze.
- Włożyć klucz sześciokątny (2) do otworu przekładni kątowej, aby zablokować uchwyt ostrza (3). Należy pamiętać, że śruby lub nakrętki mocujące ostrza (4) posiadają gwint lewy (przekręcanie w kierunku zgodnym z ruchem wskazówek zegara powoduje ich odkręcanie / w przeciwnym - dokręcanie). Dokręcić śrubę lub nakrętkę mocującą za pomocą klucza nasadowego.

### UWAGA

Jeśli urządzenie wyposażone jest w nakrętkę mocującą z zawleczką, podczas każdej instalacji należy użyć nowej zawleczki (5). (Rys. 19)

### OSTROŻNIE

Przed przystąpieniem do pracy należy zawsze upewnić się, że ostrze jest zamocowane prawidłowo.

### OSTROŻNIE

Jeżeli urządzenie posiadane przez użytkownika jest wyposażone w osłonę zakładaną pod ostrzem, należy sprawdzić, czy nie nosi ona śladów zużycia lub pęknięcia. W przypadku stwierdzenia jakiegokolwiek uszkodzenia lub zużycia, należy ją wymienić, podobnie jak ma to miejsce w przypadku wszelkich innych materiałów eksploatacyjnych.

## Zakładanie głowicy tnącej Brain

### UWAGA

Sposób zakładania został opisany w instrukcji obsługi opracowanej przez firmę Brain, dostarczonej razem z głowicą.

### OSTRZEŻENIE

W przypadku głowic HITACHI Brain lub głowic stopowych HITACHI, należy używać wyłącznie elastycznych linek nie wykonanych z metalu, zgodnie z zaleceniami producenta. Nie wolno używać linek ani przewodów drucianych. Mogą one ulec przerwaniu i uderzyć z dużą siłą w kierunku użytkownika.

### UWAGA

W przypadku korzystania z głowicy stopowej HITACHI (CH-100), początkowa długość linki tnącej powinna wynosić około 17 cm. (Rys. 20)

## Procedury obsługi

### Paliwo (Rys. 21)

### OSTRZEŻENIE

- Urządzeni jest wyposażone w silnik dwusuwowy. Silnik musi zawsze pracować z paliwem z dodatkiem oleju. Podczas tankowania lub przenoszenia paliwa zapewnić dobrą wentylację.
- Paliwo zawiera łatwopalne składniki i możliwe są poważne obrażenia ciała na skutek wdychania lub rozlania się paliwa na ciało. Zachować ostrożność zawsze przy używaniu paliwa. Zapewnić zawsze dobrą wentylację używając paliwa wewnątrz budynku.

### Paliwo

- Zawsze stosować markową bezołowiową benzynę o liczbie oktanowej 89.
- Stosować oryginalny olej do dwusuwów lub mieszankę w proporcji 25:1 do 50:1, stosunek podano na butelce z olejem lub skonsultować się z dystrybutorem firmy HITACHI.
- Jeśli oryginalny olej nie jest dostępny, użyć oleju dobrej jakości z dodatkiem przeciwutleniaacza do silników dwusuwowych chłodzonych powietrzem (JASO FC GRADE OIL lub ISO EGC GRADE). Nie stosować oleju do mieszanek BIA lub TCW (do silników dwusuwowych z chłodzeniem wodą).
- Nigdy nie używać oleju wielosezonowego (10 W/30) lub zużytego.
- Zawsze mieszać paliwo z olejem w oddzielnym czystym pojemniku.

Należy zawsze najpierw napełnić zbiornik połową ilości paliwa, jakie ma zostać użyte. Następnie dolać całość oleju. Dokładnie wymieszać (potrząsając) mieszankę paliwa. Dodać pozostałą ilość benzyny.

Dokładnie wymieszać (potrząsając) mieszankę paliwową przed waniem do zbiornika paliwa.

### Tankowanie

### OSTRZEŻENIE

- Zawsze wyłączyć silnik przed tankowaniem.
- Podczas napełniania należy zawsze powoli otwierać zbiornik paliwa, aby usunąć ewentualne nadszczepienie.
- Po zatankowaniu dokładnie dokręcić korek paliwa.
- Oddalić urządzenie na co najmniej 3 metry od miejsca tankowania przed uruchomieniem go.
- Natychmiast należy zmyć wodą z mydłem rozlane paliwo z ubrania.
- Po zatankowaniu sprawdzić, czy nie ma wycieków paliwa.

Przed zatankowaniem, dokładnie oczyścić miejsce wokół korka zbiornika, aby do zbiornika nie dostały się żadne zanieczyszczenia. Przed tankowaniem upewnić się, że paliwo jest dobrze wymieszane i w tym celu potrząsnąć pojemnikiem.

### Uruchomienie (Rys. 22, 23, 24, 25)

### OSTROŻNIE

Przed uruchomieniem należy upewnić się, że akcesorium tnące nie dotyka żadnych przedmiotów.

1. Ustawić przełącznik zapłonu (1) w pozycji włączenia (ON). (Rys. 22, 23)
  - \* Ścisnąć kilkakrotnie gruszkę zalewania (4) tak, aby paliwo przepłynęło przez rurkę powrotną (5) (jeśli jest na wyposażeniu) (Rys. 24)
2. Przy naciśniętej blokadzie spustu przepustnicy (2) (jeśli jest w wyposażeniu), pociągnąć spust przepustnicy i popchnąć blokadę przepustnicy (3), po czym powoli zwolnić spust przepustnicy, a następnie zwolnić blokadę spustu przepustnicy. Nastąpi zablokowanie przepustnicy w położeniu rozruchowym. (Rys. 22, 23)
3. Ustawić dźwignię w położeniu CLOSED (zamknięte) (4). (Rys. 25)
4. Pociągnąć energicznie rozrusznik zamachowy, trzymając uchwyt pewnie, aby nie odskoczył.
5. Kiedy słychać, że silnik zaczyna się uruchamiać, przestawić dźwignię do położenia RUN (otwarte). Ponownie energicznie pociągnąć rozrusznik zamachowy.

### UWAGA

Jeśli silnik nie uruchomi się, powtórzyć kroki od 2 do 5.

6. Po uruchomieniu silnika, pociągnąć przycisk spustowy przepustnicy, aby zwolnić blokadę. Następnie należy odczekać 2–3 minuty na rozgrzanie silnika, przed rozpoczęciem pracy z obciążeniem.

### Koszenie (Rys. 26, 27, 28, 29)

- Podczas koszenia, silnik powinien pracować z prędkością 6500 obr./min. Praca przez dłuższy czas z niewielką prędkością obrotową może spowodować przedwczesne zużycie sprzęgła.
- Należy kosić trawę od strony prawej do lewej.
- Urządzenie może zostać gwałtownie zatrzymane, jeżeli obracające się ostrze natrafi na twardą przeszkodę. Może to prowadzić do niebezpiecznej sytuacji, gdyż urządzenie wraz z użytkownikiem może zostać gwałtownie odrzucone do tyłu. Reakcją tą jest nazywana odrzutem ostrza. W takim przypadku, operator może stracić kontrolę nad urządzeniem, co z kolei może być przyczyną poważnych obrażeń lub nawet śmierci. Odrzut ostrza może nastąpić w szczególności podczas pracy w miejscach, w których przycinany materiał nie jest łatwy do obserwacji.
- Uprząż powinna zostać założona w sposób pokazany na rysunku (jeżeli urządzenie jest w nią wyposażone). Ostrze obraca się w kierunku przeciwnym do ruchu wskazówek zegara, tak więc aby koszenie było prawidłowe, należy przesuwając urządzenie od strony prawej do lewej. Osoby postronne powinny pozostawać w odległości co najmniej 15 m od miejsca pracy.

## UWAGA

W nagłych wypadkach należy wcisnąć przycisk szybkiego zwalniania lub wcisnąć klawisz awaryjnego zatrzymywania (jeżeli urządzenie jest wyposażone w ten sposób). (Rys. 28)

### OSTRZEŻENIE

**W przypadku uderzenia akcesorium tnącego o kamień lub inny twardy przedmiot, należy wyłączyć silnik i upewnić się, że akcesorium oraz wszelkie inne części nie zostały uszkodzone. W przypadku owinięcia się trawy lub winorośli wokół końcówki tnącej, należy wyłączyć silnik i usunąć owinięte elementy.**

### Zatrzymywanie (Rys. 30)

Zmniejszyć prędkość silnika i pozostawić urządzenie pracujące bez obciążenia przez kilka minut, a następnie wyłączyć przełącznik zapłonu.

### OSTRZEŻENIE

**Należy pamiętać, że ostra obracając się jeszcze przez chwilę po wyłączeniu silnika lub zasilania – może to być przyczyną obrażeń. Gdy urządzenie jest wyłączone, upewnić się, czy wyposażenie tnące zatrzymało się przed odłożeniem go.**

## Konserwacja

**KONSERWACJĘ, WYMIANĘ LUB NAPRAWĘ URZĄDZEŃ I UKŁADU KONTROLI EMISJI MOŻE WYKONAĆ ZAKŁAD NAPRAWY SILNIKÓW NIEDROGOWYCH LUB OSOBA INDYWIDUALNA.**

### Regulacja gaźnika (Rys. 31)

### OSTRZEŻENIE

**Podczas regulacji gaźnika ostra tnące mogą się obracać.**

### OSTRZEŻENIE

**Nie wolno uruchamiać silnika, jeżeli pokrywka sprężła i rurka zabezpieczająca nie są założone! W przeciwnym przypadku sprężło może obluzować się i spowodować obrażenia cielesne.**

W gaźniku paliwo miesza się z powietrzem. Podczas próbnej pracy silnika w fabryce, wykonuje się regulację gaźnika. Dodatkowa regulacja może być wykonana w zależności od klimatu lub wysokości n.p.m. Gaźnik ma jedną możliwość regulacji:

**T = śruba regulacji prędkości biegu jałowego.**

### Regulacja prędkości biegu jałowego (T)

Sprawdzić, czy filtr powietrza jest czysty. Gdy prędkość biegu jałowego jest właściwa, łańcuch nie obraca się. Jeśli wymagana jest regulacja, dokręcać śrubę T (w kierunku zgodnym z ruchem wskazówek zegara), aż łańcuch zacznie się obracać. Wykręcać śrubę (w kierunku przeciwnym do ruchu wskazówek zegara) aż łańcuch się zatrzyma. Prędkość biegu jałowego jest poprawna, kiedy silnik pracuje równomiernie we wszystkich położeniach znacznie poniżej prędkości obrotowej, przy której łańcuch zaczyna obracać się.

Jeśli po wykonaniu regulacji prędkości ostrze nadal obraca się, należy skontaktować się z dystrybutorem firmy HITACHI.

## UWAGA

Standardowa prędkość pracy bez obciążenia (na biegu jałowym) wynosi 2500 ~ 3000 obr./min.

## UWAGA

Niektóre modele sprzedawane w regionach, w których wymagana jest ścisła regulacja emisji spalin, nie mają regulacji gaźnika na wysoką i niską prędkość. Takie regulacje mogą spowodować, że silnik będzie pracował poza dopuszczalnymi granicami emisji. Dla tych modeli, jedyną regulacją gaźnika jest regulacja prędkości biegu jałowego.

W przypadku modeli wyposażonych w regulację prędkości dolnej i górnej, ustawienia gaźników zostały wykonane fabrycznie. Niewielkie korekty mogą zostać przeprowadzone w celu optymalizacji wydajności urządzenia w zależności od klimatu, wysokości nad poziomem morza itp. Nie wolno w żadnym wypadku zmieniać położenia śrub regulacyjnych o więcej niż 90 stopni, ponieważ nieprawidłowe ustawienie może spowodować uszkodzenie silnika. Jeżeli użytkownik nie zna sposobów prawidłowego wykonywania ustawień, powinien skontaktować się z dystrybutorem urządzeń firmy HITACHI.

### OSTRZEŻENIE

**Podczas pracy silnika na biegu jałowym łańcuch nie może w żadnym przypadku obracać się.**

### Filtr powietrza (Rys. 32)

Filtr powietrza należy oczyścić z pyłu i brudu, aby uniknąć:

- Wadliwego działania gaźnika
- Problemów z rozruchem
- Zmniejszenia mocy silnika
- Nadmiernego zużycia części silnika
- Nadmiernego zużycia paliwa

Filtr powietrza należy czyścić codziennie lub częściej, jeśli pracuje się w miejscach wyjątkowo zapyłonych..

### Czyszczenie filtra powietrza

Zdjąć pokrywę filtra powietrza i filtr (1). Przemycić je w wodzie z mydłem. Przed ponownym montażem sprawdzić, czy filtr jest suchy. Filtru powietrza używanego przez dłuższy czas nie można dokładnie wyczyścić. Z tego względu należy okresowo wymienić go na nowy filtr. Uszkodzony filtr należy wymienić natychmiast.

### Filtr paliwa (Rys. 33)

Spuścić całość paliwa ze zbiornika i wyciągnąć linkę filtra paliwa. Wyjąć element filtra z obudowy i przepłukać w ciepłej wodzie ze środkiem czyszczącym.

Dokładnie wypłukać, aby usunąć wszystkie pozostałości środka czyszczącego. Delikatnie wycisnąć pozostałości wody, nie wyżyłając, a następnie wysuszyć element filtra na powietrzu.

## UWAGA

Jeżeli element filtra jest twardy z powodu nadmiernego nagromadzenia zabrudzeń, należy wymienić go na nowy.

### Świeca zapłonowa (Rys. 34)

Na stan świecy zapłonowej mają wpływ następujące czynniki:

- Nieprawidłowe ustawienie gaźnika
- Niewłaściwa mieszanka paliwowa (zbyt dużo oleju w benzynie)
- Zabrudzony filtr powietrza
- Trudne warunki pracy (jak niska temperatura otoczenia)

Czynnik te powodują osady na elektrodach świecy zapłonowej, co może spowodować wadliwe działanie i trudności z uruchomieniem silnika. Jeśli silnik nie rozwija pełnej mocy, trudno go uruchomić lub pracuje nierównomiernie na biegu jałowym, należy zawsze w pierwszej kolejności sprawdzić świecę zapłonową. Jeśli świeca zapłonowa jest zabrudzona, należy ją oczyścić i sprawdzić przerwę elektrody. W razie konieczności wyregulować ponownie. Prawidłowa przerwa wynosi 0,6 mm. Świeca zapłonowa powinna być wymieniana co 100 godzin pracy lub wcześniej, jeżeli elektrody noszą ślady poważnego nadzarcia.

### UWAGA

W niektórych krajach przepisy wymagają użycia świecy zapłonowej z opornikiem do tłumienia zakłóceń. Jeśli maszyna została oryginalnie wyposażona w świecę zapłonową z opornikiem, należy wymienić ją na świecę tego samego typu.

### Przekładnia kątowna (Rys. 35)

Co 50 godzin pracy należy sprawdzać poziom smaru w przekładni kątownej, zdejmując korek napełniania smaru, znajdujący się z boku przekładni kątownej.

Jeżeli na ściankach przekładni nie jest widoczny smar, należy napełnić przekładnię wysokiej jakości wielofunkcyjnym smarem litowym do poziomu 3/4. Nie należy napełniać przekładni smarem do pełna.

### Ostrze (Rys. 36)

#### OSTRZEŻENIE

**Podczas obsługi lub wykonywania jakichkolwiek prac konserwacyjnych związanych z ostrzem należy nosić rękawice.**

- Ostrza powinny zawsze być odpowiednio ostre. Używanie tępego ostrza zwiększa ryzyko jego zakleszczenia i nagłego wyrzucenia. Jeżeli nakrętka mocująca jest uszkodzona lub dokręca się z trudnością, należy wymienić ją na nową.
- Ostrze powinno być wymieniane wyłącznie na nowe ostrze HITACHI, z otworem mocującym o średnicy 25,4 mm (jeden cal).
- Podczas zakładania nowego ostrza (2) należy pamiętać, że strona z oznaczeniem powinna być skierowana ku górze. W przypadku ostrzy wyposażonych w 4 zęby (1), mogą one być zakładane dowolną stroną.
- Należy zawsze używać ostrza odpowiedniego dla rodzaju wykonywanej pracy.
- Podczas wymiany ostrza należy korzystać z odpowiednich narzędzi.
- Kiedy krawędzie tnące staną się tępe, należy naostrzyć lub spilować je w sposób pokazany na ilustracji. Nieprawidłowe naostrzenie może spowodować powstawanie nadmiernych wibracji.
- Nie należy używać ostrzy, które są wygięte, wypaczone, pęknięte, złamane lub uszkodzone w jakikolwiek inny sposób.

### UWAGA

Podczas ostrzenia należy pamiętać o zachowaniu odpowiedniego kształtu i promienia przy podstawie zębów, aby zapobiec ich pęknięciu.

### Plan obsługi

Poniżej podano ogólne instrukcje konserwacji. W sprawie dalszych informacji prosimy skontaktować się z dystrybutorem firmy HITACHI.

#### Obsługa codzienna

- Oczyścić urządzenie z zewnątrz.
- Sprawdzić, czy uprząż nie jest uszkodzona.
- Sprawdzić, czy osłona ostrza nie nosi żadnych śladów uszkodzeń lub pęknięć. Jeżeli osłona jest uszkodzona lub pęknięta, należy wymienić ją na nową.
- Sprawdzić, czy akcesorium tnące jest właściwie wyśrodkowane, ostre i nie nosi śladów pęknięcia. Nieprawidłowe wyśrodkowanie elementu tnącego powoduje powstawanie dużych wibracji, które mogą spowodować uszkodzenie urządzenia.
- Sprawdzić, czy nakrętka mocująca element tnący jest dokręcona prawidłowo.
- Upewnić się, czy osłona transportu łańcucha nie jest uszkodzona i czy można ją bezpiecznie zamontować.
- Sprawdzić, czy nakrętki i śruby są dobrze dokręcone.

#### Obsługa tygodniowa

- Sprawdzić rozrusznik, w szczególności linkę.
- Oczyścić świecę zapłonową z zewnątrz.
- Wyjąć świecę zapłonową i sprawdzić przerwę elektrody. Przerwę należy wyregulować na 0,6 mm lub wymienić świecę zapłonową.
- Sprawdzić, czy wlot powietrza do rozrusznika nie jest zapchany.
- Sprawdzić, czy przekładnia kątowna jest napełniona smarem do ¾.
- Oczyścić filtr powietrza.

#### Obsługa miesięczna

- Przepłukać zbiornik paliwa benzyny i oczyścić filtr paliwa.
- Oczyścić z zewnątrz gaźnik i przestrzeń wokół niego.











#### Obsługa kwartalna

- Oczyścić żeberka chłodzące cylindra.
- Oczyścić wentylator i przestrzeń wokół niego.
- Oczyścić tłumik z osadów węglowych.

#### OSTROŻNIE

Czyszczenie żeber cylindra, wentylatora i tłumika powinno być wykonywane przez autoryzowany punkt serwisowy HITACHI.

**A szimbólumok jelentése****MEGJEGYZÉS** : Néhány egység nem rendelkezik velük.

	<p><b>Szimbólumok</b>  <b>⚠ FIGYELMEZTETÉS</b>          Az alábbiakban a géphez alkalmazott jelölések vannak felsorolva.          A gép használata előtt feltétlenül ismerje meg ezeket a jelöléseket.</p>		
	<p>Fontos, hogy elolvassa, teljesen megértse és megfi gyelje a következő elővigyázatosságokat és figyelmeztetéseket. A gondatlan vagy helytelen használat súlyos vagy halálos sérülést okozhat.</p>		<p>A maximális tengelysebességet mutatja. Ne használjon olyan vágó szerelvényt, melynek a maximális fordulatszáma a tengely fordulatszáma alatt van.</p>
	<p>Olvasson el, értsen meg és kövessen minden a kézikönyvben és az egységen található fi gyelmeztetést és utasítást.</p>		<p>Szükség esetén kesztyű viselete ajánlott (pl. a vágó berendezés összeszerelésekor).</p>
	<p>Az egység használatakor mindig viseljen szem-, fej- és fülvédő eszközöket</p>		<p>Viseljen csúszásmentes és masszív lábbelit.</p>
	<p>Ha ezt a szimbólumot látja, ne használjon fém/merev pengét.</p>		<p>Pengélökés következhet be, ha a pörgő penge hozzáér egy tömör tárgyhoz a kritikus részen. Ilyenkor veszélyes helyzet állhat elő: a teljes egységet és a kezelőt erőteljes lökés éri. Ezt a reakciót pengélökésnek hívjuk. Ennek eredményeképp a kezelő elveszítheti uralmát az egység felett, ami súlyos vagy halálos kimenetelű balesethez vezethet. A pengélökés gyakrabban előfordul olyan helyeken, ahol a vágandó anyag nehezen látható.</p>
	<p>Minden gyermek, nézelődő, stb. legfeljebb 15 méteres közelségben tartózkodhat. Ha valaki ennél közelebb jön az egységhez, azonnal állítsa le a motort és a vágó szerelvényt.</p>		
	<p>Ügyeljen a szálló repeszekre.</p>		
<p><b>A gép használata előtt</b></p> <ul style="list-style-type: none"> <li>• Olvassa el alaposan a kézikönyvet.</li> <li>• Ellenőrizze, hogy a vágó berendezés rendesen össze van-e rakva és be van-e állítva.</li> <li>• Indítsa be az egységet és ellenőrizze a karburátor beállítását. Lásd: "KARBANTARTÁS".</li> </ul>			

**Tartalom**

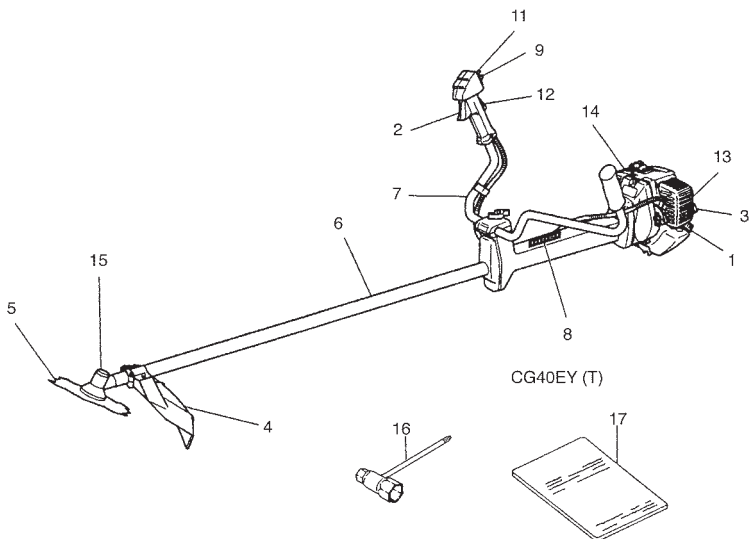
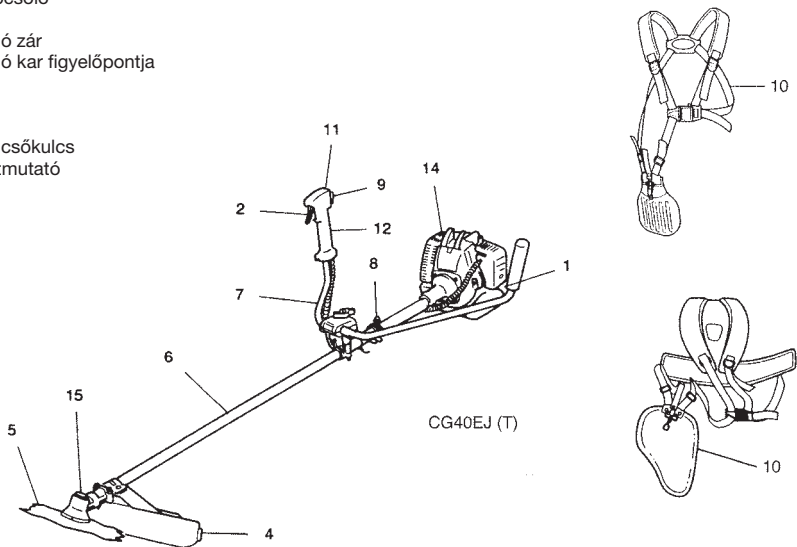
Mi micsoda.....	2
Figyelmeztetések és biztonsági óvintézkedések.....	3
Műszaki adatok .....	4
Összeszerelési eljárások.....	5
Működtetési eljárások .....	6
Karbantartás.....	7



## Mi micsoda

Mivel a jelen kézikönyv számos modellnek a leírását tartalmazza, ezért a kézikönyvben ábrázolt képek eltérhetnek az Ön egységétől. Csak az Ön egységére vonatkozó utasításokat vegye figyelembe!

1. Tanksapka
2. Gázadagoló kar
3. Indító kar
4. Pengevédő
5. Vágó szerelvény
6. Kardántengely cső
7. Kormányrúd
8. Akasztószem
9. Gyújtáskapcsoló
10. Burkolat
11. Gázadagoló zár
12. Gázadagoló kar figyelőpontja
13. Szivató
14. Motor
15. Váltó
16. Kombinált csőkulcs
17. Kezelési útmutató



## Figyelmeztetések és biztonsági óvintézkedések

### Gépkezelő biztonsága

- Mindig viseljen munkavédelmi maszkot vagy szemüveget.
- Mindig vastag hosszúnadrágot és bakancsot viseljen, valamint hardjón kesztyűt. Ne viseljen bő öltözetet, ékszert, rövidnadrágot, szandált, és ne legyen mezítáb. Biztosítsa, hogy hajhosszúsága nem haladja meg a vállig érot.
- Ne működtesse az eszközt akkor, amikor fáradt, beteg vagy alkohol, kábítószer vagy gyógyszer hatása alatt áll.
- Soha ne engedje, hogy gyermek vagy gyakorlatlan személy működtesse a gépet.
- Viseljen fülvédőt. Legyen figyelmelem a környezetére. Figyelje, hogy a közelében tartózkodók jeleznek-e valamilyen problémát. Azonnal távolítsa el a biztonsági felszereléseket a motor leállítás után.
- Viseljen fejtvédő eszközt.
- Soha ne indítsa be vagy működtesse a motort zár helyiségben vagy épületben. A kibocsátott füst belélegzése halált okozhat.
- Az olajat és üzemanyagot tartsa távol a fogantyúktól.
- Kezeit tartsa távol a vágó berendezéstől.
- Ne fogja meg vagy tartsa az egységet a vágó berendezésnél.
- Amikor az egységet leállítja, győződjön meg arról, hogy a vágó szerelvény is leállt.
- Hosszabb ideig tartó működtetés esetén rendszeresen tartson szünetet annak érdekében, hogy megelőzze a lehetséges Kéz és Kar Vibrációs Szindrómát (HAVS), melyet a rezgés okozhat.

### ⚠ VIGYÁZAT

**Az antivibrációs rendszerek nem garantálják, hogy Önnek nem alakulhat ki Kéz és Kar Vibrációs Szindróma vagy kezétálagut szindróma. Emiatt a folyamatos és rendszeres felhasználóknak javallott alaposan figyelni a kezeik és ujjak állapotát. Amennyiben a fenti tünetek bármelyike jelentkezik, azonnal forduljon orvoshoz.**

### ⚠ VIGYÁZAT

**Ha bármilyen elektronikus egészségügyi eszközt használ, mint például pacemakert, akkor kérje orvosa valamint az eszköz gyártójának tanácsát a felszerelés működtetése előtt.**

### Az egység/gép biztonsága

- Ellenőrizze az egész egységet/gépet minden használat előtt. Cserélje ki a sérült alkatrészeket. Ellenőrizze, hogy nem szivárogo-e az üzemanyag, és győződjön meg arról, hogy minden rögzítő a helyén van, és biztonságosan meg van erősítve.
- Az egység/gép használata előtt cseréljen ki minden alkatrészt, mely törött, kopott vagy bármilyen módon sérült.
- Győződjön meg a pengevédő megfelelő rögzítéséről.
- Tartson másokat távol akkor, amikor karburátorállításokat végez.
- Csak azokat a kiegészítőket használja, melyeket az egység/gép gyártója javasol.

### ⚠ VIGYÁZAT

**Soha, semmilyen módon ne módosítsa az egységet/gépet. Ne használja az egységet/gépet rendeltetésével ellentétesen.**

### Üzemanyag biztonság

- A szabadban keverje és öntse az üzemanyagot, szikrától és nyílt lángtól távol.
- Az üzemanyaghoz jóváhagyott tartályt alkalmazzon.
- Ne dohányozzon és ne engedje, hogy mások dohányozzanak az üzemanyag vagy az egység/gép közelében, vagy az egység/gép használata közben.
- A motor elindítása előtt töröljön fel minden félrefojt üzemanyagot.
- Az üzemanyagöltés helyszínétől legalább 3 méter távolságban indítsa be a motort.
- Az üzemanyagtank-sapka eltávolítása előtt állítsa le a motort.
- Az egység/gép tárolása előtt ürítse ki az üzemanyagtartályt. Javasolt az üzemanyagot minden használat után kiüríteni. Amennyiben maradt üzemanyag a tankban, úgy tárolja, hogy az ne szivárogon.
- Az egység/gépet és üzemanyagot olyan helyen tárolja, ahol az üzemanyaggal szikra és nyílt láng nem érintkezhet, mely például bojlerből, elektromos motorból vagy indítóból, kandallóból, stb. származhat.

### ⚠ VIGYÁZAT

**Az üzemanyag robbanékony, gyúlékony és füstjének belélegzése ártalmas, ezért különös óvatossággal járjon el az üzemanyag kezelésekor vagy utántöltésekor.**

### Vágási biztonság

- Kizárólag fűvet és sövényt nyírjon az egységgel.
- Minden használat előtt mérje fel a terepet. Távolítsa el minden olyan tárgyat, melybe az egység beleakadhat, vagy melyet az egység kirepíthet.
- A légzés biztosítása érdekében viseljen aeroszol elleni maszkot, ha fűvet, és a közelben rovarok találhatóak.
- Gyermekeket, állatokat, közelben tartózkodókat és segítőkét tartson távol a szerelvénytől 15 méteres körzetétől. Azonnal állítsa le a motort, ha megközelítik.
- A motort mindig teste jobb oldalán tartsa.
- Az egység/gépet stabilan, két kézzel fogja.
- Stabilan álljon és biztosan tartsa egységnyelét. Ne húzza túl!
- Tartsa távol minden testrészét a hangtompítótól és a vágó szerelvénytől, miközben a motor jár.
- A vágó szerelvényt tartsa derekszint alatt.
- Amikor másik munkaterületre megy, győződjön meg arról, hogy a gép kikapcsolt állapotban van, és, hogy a vágó szerelvény megállt.
- Soha ne helyezze a gépet bekapcsolt állapotban a talajra.
- Mindig kapcsolja ki a motort és a vágó szerelvényt a termékek feltakarítása vagy a fű a vágó szerelvényből való eltávolítása előtt.
- Mindig legyen Önnek elsősegély készlet amikor a felszerelés működteti.
- Soha ne indítsa be vagy járassa a motort zárt helyiségben vagy épületben és/vagy gyúlékony folyadékok közelében. A kibocsátott füst belélegzése halált okozhat.

### Karbantartási biztonság

- Az egység/gép karbantartását a javasolt eljárások szerint végezze.
- Távolítsa el a gyújtógyertyát karbantartás végrehajtása előtt, karburátor állítások kivételével.
- Tartson másokat távol akkor, amikor karburátorállításokat végez.
- Kizárólag eredeti HITACHI cserealkatrészeket használjon, ahogy a gyártó is javasolja.

### FIGYELEM

Ne szedje szét a behúzó indítót. A behúzó kicsapása esetleges személyi sérülést okozhat.

### Szállítás és tárolás

- Az egység/gépet kézben vigye, leállított motorral, és hangtompítótól a testétől eltartva.
- Engedje, hogy a motor lehűljön, ürítse ki az üzemanyagtankot, és biztosítsa az egységet/gépet járműben történő szállítás tárolás előtt.
- Az egység/gép tárolása előtt ürítse ki az üzemanyagtartályt. Javasolt az üzemanyagot minden használat után kiüríteni. Amennyiben maradt üzemanyag a tankban, úgy tárolja, hogy az ne szivárogon.
- Az egység/gép a gyermekektől távol tárolandó.
- Alaposan tisztítsa és tartsa karban az egységet, és száraz helyen tárolja.
- Győződjön meg arról, hogy a motor kapcsolója kikapcsolt állapotban van szállításkor vagy tároláskor.
- Autóban történő szállításkor helyezze fel a pengetakaró fedelet.

Ha olyan helyzet adódna, melyre ebben a kézikönyvben nem talál megoldást, akkor józanész szerint járjon el. Forduljon HITACHI kereskedőjéhez, amennyiben segítségre lenne szüksége. Különös figyelemmel kezelje azokat az állításokat, melyeket a következő szavak előzik meg:

### ⚠ VIGYÁZAT

**Súlyos személyi sérülést vagy halált okozó tényezők lehetőségét jelzi, amennyiben az útmutatást nem követik.**

### FIGYELEM

Személyi sérülést vagy a felszerelés károsodását okozó tényezők lehetőségét jelzi, amennyiben az útmutatást nem követik.

### MEGJEGYZÉS

Hasznos információk a helyes működtést és használatot illetően.

## Műszaki adatok

MODEL		CG40EY (T)	CG40EJ (T)
Motor			
Lökettérfogat (cm <sup>3</sup> ) (ml)		39.8	
Gyújtógyertyák		NGK BPM6A annak egyenlő	
Üresjárat sebesség (min <sup>-1</sup> )		2,800	
Javasolt max. sebesség (min <sup>-1</sup> )		11,000	
Teljesítményleadó tengely sebessége (min <sup>-1</sup> )		8,300	
Max. motorteljesítmény (kW)		1.31 (@7000 min <sup>-1</sup> )	
Üzemanyagtank térfogata (cm <sup>3</sup> ) (ml)		1,000	
Tömeg (kg)		8.3	7.7
Vágó szerelvény	Típus / Átm. (mm)	Fém él 3Tx305	Fém él 3Tx305
Hangnyomás szint LpA (dB (A))	(ISO 22868) Egyenlő Bizonytalanság	93.7 0.2	93.7 0.2
Mért hangerőszint, LwA (dB (A))	(ISO 22868 ) Egyenlő	104	104
Garantált hangerőszint, LwA (dB(A))	(2000/14/EC) Pörgetve	116	116
Vibráció szint (m/s <sup>2</sup> )	(ISO 22867)		
Ekvivalens (Elülső / bal oldali fogantyú)		1.3	2.2
Ekvivalens (Hátsó / jobb oldali fogantyú)		1.1	2.3
Bizonytalanság		1.5	1.5
Alapjárat (Elülső / bal oldali fogantyú)		1.2	2.2
Alapjárat (Hátsó / jobb oldali fogantyú)		1.2	2.3
Pörgetve (Elülső / bal oldali fogantyú)		1.3	2.2
Pörgetve (Hátsó / jobb oldali fogantyú)		0.9	2.3

MEGJEGYZÉS: A zaj/rezgés szint idő súlyozott energia összegével egyenértékű zaj /rezgés szintekkel lettek kiszámítva, különböző munkafeltételek mellett a következő időelosztásban: 1/2 alapjárat, 1/2 pörgetve.  
\* Valamennyi adat előzetes értesítés nélkül változhat.

# Összeszerelési eljárások

## A tengely és a motor összeszerelése (1. ábra)

A csomagban talált 4 db csavarral (1) szerelje a motort a kuplungházra (2).

## A fogantyú felszerelése (2. ábra)

Úgy szerelje a fogantyút a csőre, hogy a szögének hegye a motor felé mutasson.

Használat előtt keresse meg a legkényelmesebb helyzetét, de állítsa túl közel a motorhoz.

## A fogantyú felszerelése (3, 4. ábra)

Vegye le a fogantyú szorítóját (1) a szerelvényről. (3. ábra)  
Helyezze fel a fogantyút és négy csavarral lazán szerelje vissza a szorítót. Állítsa a megfelelő helyzetbe. Húzza meg a csavarokat.

Akassza ki a csípővédőt, és a csőbe húzott gázbowdent meg a leállító zsinórokat (1) kösse hozzá. (4. ábra)

## MEGJEGYZÉS a CG40EY (T) típushoz (5, 6. ábra)

Ennek a típusnak a motorját és a hajtó tengelyét gyárilag összeszereltük. Az összes teendője a gázkar felszerelése a fogantyúra egy csavarral és anyával, valamint a fogantyú rögzítése. Kézrel biztonságosan húzza meg a gombos csavart.

## A CG40EJ (T) fogantyújának felszerelése (7, 8. ábra)

Helyezze fel a fogantyút és a fogantyú gombbal lazán szerelje fel a szorítót. Állítsa a megfelelő helyzetbe. Húzza meg a fogantyú gombot.

Rögzítse a fogantyúra a gázkart egy csavarral és anyával.

## MEGJEGYZÉS

Kábelkötőzökkel rögzítse a védőcsövet a hajtótengelyre vagy a fogantyúra.

## Gázbowden / leállító zsinór

Vegye le a légszűrő burkolatát. (9. ábra)

Csatlakoztassa a leállító zsinórokat. (10. ábra)

Csatlakoztassa a gázbowden végét a porlasztóhoz. (11. ábra)

Húzza fel a gázbowden és a leállító zsinórok közös védőcsövét a légszűrő házáig. (12. ábra)

## A pengevédő felszerelése (13, 14, 15, 16. ábra)

## MEGJEGYZÉS

Egyes modelleknél a védőkeret gyárilag fel van szerelve a házra.

Szerelje a pengevédőt a csőtengely végén levő szögáttételre.

Szorosan húzza meg a védő bilincsét, hogy működés közben a védő ne rezeghessen vagy csúszhasson el.

## FIGYELEM

Egyes pengevédők éles zsinorimitálókval vannak ellátva. Vigyázzon ennek kezelésével.

## MEGJEGYZÉS (14. ábra)

HITACHI alumíniumfej (CH-100 vagy CH-300) használatakor az éles zsinorimitálót (2), mely a szerszámoszákban található, stabilan rögzíteni kell a pengevédőhöz a csavar (3) segítségével.

Kétrészes pengevédővel ellátott nyírófej használatakor csatlakoztassa a bővítőelemet a pengevédőhöz. (15. ábra)

## MEGJEGYZÉS

A bővítőelem csatlakoztatásakor az éles zsinorimitálót el kell távolítani a pengevédőről (ha az fel volt szerelve).

## MEGJEGYZÉS

Ha az egység el van látva a védőelem elhelyezésére vonatkozó utasításokkal (matricával), e szerint járjon el.

## MEGJEGYZÉS

A bővítőelem eltávolítását illetően tekintse meg az ábrákat. Nyomja be a négy fület a védőelemen, egyiket a másik után. A művelet elvégzéséhez viseljen kesztyűt, mivel a bővítőelem éles zsinorimitálóval van ellátva. (16. ábra)

## A vágópenge felszerelése (17, 18. ábra)

(ha van)

Vágópenge felszereléskor bizonyosodjon meg róla, hogy a pengén nincsenek repedések vagy sérülés, és hogy a helyes irányban áll.

## MEGJEGYZÉS

- A vágótartó sapka (1) felszereléskor ügyeljen rá, hogy a homorú rész felfelé álljon.
- Helyezze be az imbuszkulcsot (2) a szögváltó nyílásába a vágótartó (3) rögzítéséhez. Felhívjuk rá fi gyelmét, hogy a vágó rögzítőcsavarja vagy anyája (4) balmenetes (jobbra: kicsavarás, balra: becsavarás). Húzza meg a rögzítőcsavart vagy anyát a csókulccsal.

## MEGJEGYZÉS

Ha a gépén anyás rögzítés van, saszszeges biztosítással, minden szerelés után új saszszeg (5) kell betenni. (19. ábra)

## FIGYELEM

Használat előtt győződjön meg róla, hogy a penge megfelelően fel lett szerelve.

## FIGYELEM

Ha az egység fel van szerelve védőburkolattal a vágópenge alatt, használat előtt ellenőrizze, hogy nincs-e elkopva és nincs-e rajta repedés. Bármilyen sérülés vagy repedés esetén cserélje ki a védőburkolatot, mivel ez egy fogyóeszköz.

## A brain vágófej felszerelése

### MEGJEGYZÉS

A felszerelést illetően tekintse meg a brain vágófejhez mellékelte használati útmutatót.

### VIGYÁZAT

**HITACHI brain fejkénél és HITACHI ötvözet fejkénél kizárólag rugalmas, nem fémből készült zsinort használjon. Drótot, drótkötelet ne használjon. Ezek ugyanis letörhetnek, és amikor elszállnak, súlyos sérüléseket okozhatnak.**

### MEGJEGYZÉS

HITACHI ötvözet fej (CH-100) használatakor a vágózsinorok hosszát kb. 17 cm-esre kell beállítani. (20. ábra)

## Működtetési eljárások

### Üzemanyag (21. ábra)

### VIGYÁZAT

- **A szegélyvágó kétütemű motorral van ellátva. Mindig olajjal kevert üzemanyaggal járassa a motort. Biztosítson megfelelő szellőztetést tankoláskor és az üzemanyag kezelésekor.**
- **Az üzemanyag nagyon gyúlékony, és súlyos személyi sérülést okozhat, amennyiben belélegzi azt vagy az a testére ömlik. Az üzemanyag kezelése közben mindig legyen körültekintő! Mindig legyen megfelelő szellőztetés biztosítva, ha üzemanyagot épületben kezel.**

### Üzemanyag

- Mindig 89-es oktánszámú ólommentes benzint használjon.
- Eredeti kétütemű motorolajat vagy 25:1-től 50:1 arányú keveréket használjon. Kérem, nézze meg az olaj flakonját az arányhoz vagy a HITACHI kereskedőjét kérdezze.
- Amennyiben eredeti motorolaj nem elérhető, akkor használjon a kifejezetten léghűtéses 2 ütemű motorhoz szánt anti-oxidánst tartalmazó olajat (JASO FC GRADE OIL vagy ISO EGC GRADE). Ne használjon BIA vagy TCW (2 ütemes vízhűtéses típus) kevert olajat.
- Soha ne használjon nehéz olajat (10 W/30) vagy fárdart olajat.
- Az üzemanyagot és olajat mindig egy különálló, tiszta tárolóban keverje össze.

Először tölts fel a tárolót félig üzemanyaggal, majd félig olajjal. Keverje (rázza össze) az üzemanyag keveréket. Adja hozzá a megmaradó üzemanyag mennyiségét. Keverje (rázza össze) az üzemanyag keveréket az üzemanyagtankba való töltése előtt.

### Üzemanyag

### VIGYÁZAT

- **Mindig állítsa le a motort az üzemanyag újratöltés előtt.**
- **Lassan nyissa ki az üzemanyagtankot az üzemanyag beletöltése előtt, így a lehetséges túlnyomás megszűnik.**
- **Alaposan csavarja vissza a tanksapkát az üzemanyag utántöltés után.**
- **A szegélyvágó bekapcsolása előtt távolodjon el az üzemanyagbetöltés helyszínéről legalább 3 méterre.**
- **Mindig azonnal szappannal mosson le minden kiömlött üzemanyagot a ruházatáról.**
- **Győződjön meg arról, hogy ellenőrizte az üzemanyag szivárgást az újratöltés után.**

Üzemanyag utántöltés előtt tisztítsa meg a tanksapka környékét alaposan annak érdekében, hogy ne kerülhessen szennyeződés a tankba. Győződjön meg arról, hogy az üzemanyagot megfelelően összekeverte és összezerázta a tartályban az üzemanyag utántöltés előtt.

### Indítás (22, 23, 24, 25. ábra)

### FIGYELEM

A munka megkezdése előtt győződjön meg róla, hogy a vágó szerelvény nem ér hozzá semmihez.

1. Állítsa az gyújtáskapcsolót (1) ON (BE) pozícióba. (22, 23. ábra)  
\*Többször nyomja meg a szivató gombot (4), hogy üzemanyag folyjék be a porlasztóba. (Ha van ilyen.) (24. ábra)
2. Benyomott gázkart retesszel (2) (ha van ilyen), húzza meg a gázkart és nyomja be a gázrögzítőt (3), ez után lassan engedje el először a gázkart, majd a gázkart reteszt. Ez az indítási helyzetben rögzíti a gázt. (22, 23. ábra)
3. Állítsa a szivatót CLOSED (zárt) állásba (4). (25. ábra)
4. Rántsa meg a behúzó gyorsan, eközben ügyeljen, hogy a fogantyú a kezében maradjon, és ne hogy visszaugorjon.
5. Amikor azt hallja, hogy a motor vissza akar térni a kezdő pozícióba, állítsa vissza a szivatót RUN (futás) állásba (nyitott állás). Ezután húzza meg ismét a berántót.

### MEGJEGYZÉS

Ha a motor nem indul be, ismétlje meg 2-5 alkalommal a folyamatot.

6. A motor beindítása után húzza meg a gázkart a zár kioldásához. Ezt követően hagyja járni 2-3 percig a motort, hogy bemelegedjen, mielőtt hozzákezdene a munkának.

### Vágás (26, 27, 28, 29. ábra)

- Vágáskor a motort 6500 t/p-n járassa. Ha az eszközt huzamosabb ideig alacsony fordulatszámon üzemelteti, akkor ez a tengelykapcsoló idő előtti elporkásához vezethet.
- A fűvet jobbál balra vágja.
- Pengelökés következhet be, ha a pörgő penge hozzáér egy tömör tárgyhoz a kritikus részen. Ilyenkor veszélyes helyzet állhat elő: a teljes egységet és a kezelőt erőteljes lökés éri. Ezt a reakciót pengelökésnek hívjuk. Ennek eredményeképp a kezelő elveszítheti uralmát az egység felett, ami súlyos vagy halálos kimenetelű balesethez vezethet. A pengelökés gyakrabban előfordul olyan helyeken, ahol a vágandó anyag neheze látható.
- Az ábrán látható módon szerelje fel a burkolatot (ha van). A penge az óramutató járásával ellentétes irányba forog, így a készülék hatékony használata érdekében jobbról balra mozgassa a képet. A nézelődő emberek legalább 15 méterre álljanak a munkaterülettől.

## MEGJEGYZÉS

Vészhelyzet esetén nyomja meg a gyors leállító gombot vagy húzza meg a vészleállító kart (ha van). (28. ábra)

### VIGYÁZAT

**Amennyiben a vágórész kőnek vagy egyéb törmeléknek ütődne, állítsa le a motort, és ellenőrizze, hogy a vágórész vagy a kapcsolódó alkatrészek nem sérültek-e meg. Amennyiben fű, vagy inda tekeredne a vágórészre, állítsa le a motort, majd távolítsa el őket.**

### Leállítás (30. ábra)

Csökkentse a motor sebességét, járassa üresjáróban néhány percig, majd a gyújtáskapcsoló elfordításával állítsa le a gépet.

### VIGYÁZAT

**Amennyiben a motor leállítása vagy a sebességszabályzó kiengedése után a vágó rész tovább forog, a vágó rész megsérülhet. Amikor az egységet leállítja, győződjön meg arról, hogy a vágó szerelvény is leállt.**

## Karbantartás

**AZ EMISSZIÓ SZABÁLYZÓ ESZKÖZÖK ÉS RENDSZEREK KARBANTARTÁSÁT, CSERÉJÉT, VAGY JAVÍTÁSÁT BÁRMELY NEM JÁRMŰ MOTOR JAVÍTÓ MŰHELY VAGY SZEMÉLY ELVÉGEZHETI.**

### Karburátor beállítás (31. ábra)

### VIGYÁZAT

**A karburátor beállítása közben a vágó rész foroghat.**

### VIGYÁZAT

**Soha ne indítsa be a motort, úgy hogy a tengelykapcsoló nincs bebiztosítva és a cső nincs felszerelve! Ellenkező esetben a tengelykapcsoló kiengedhet és ez súlyos személyi sérüléseket eredményezhet.**

A karburátorban a benzin levegővel keveredik. A gyárban a motor tesztelésekor beállítják a karburátort is. További beállításra lehet szükség a klímától és a tengerszint feletti magasságtól függően. A karburátor egy módon állítható:

**T = üresjárát-sebesség beállító csavar.**

### Üresjárát-sebesség beállítás (T)

Ellenőrizze, hogy a légszűrő tiszta-e. Amikor az üresjárát sebessége megfelelő, a vágó rész nem fog forogni. Amennyiben a beállítás szükséges csavarja a T csavart az óramutató járásával megegyező irányba, mialatt a motor jár, ameddig a vágórész el nem kezd forogni. Csavarja a csavart az óramutató járásával ellentétes irányba, ameddig a vágórész meg nem áll. Akkor sikerült beállítani a megfelelő üresjárati sebességet, amennyiben a motor minden pozícióban simán jár, jóval az alatt a fordulatszám alatt, mint mikor a vágórész elkezd forogni.

Ha a vágórész még mindig forog, az üresjárát beállítása után, lépjen kapcsolatba HITACHI forgalmazójával.

## MEGJEGYZÉS

A normál alapjárati fordulatszám 2500 ~ 3000 f/p.

## MEGJEGYZÉS

Bizonyos modelleken, melyeket olyan helyen forgalmaznak, ahol az emissziós szabályok szigorúak, nincsen magas és alacsony sebességű karburátor beállítás. Az ilyen beállítások következtében a motor az emissziós értékhatárok feletti kibocsátással rendelkezhet. Ezen modellek esetében csak az üresjárát állítható a karburátoron.

Olyan modellek esetében, melyek alacsony és magas sebességű karburátor beállítással rendelkeznek; a karburátorokat a gyárban beállítják. A kisebb teljesítmény beállításokat a klíma, a tengerszint feletti magasság, stb. alapján kell elvégezni. A beállító csavarokat soha ne csavarja nagyobb mértékben, mint 90 fok, mivel a helytelen beállítás miatt megsérülhet a motor. Amennyiben nem tudja, hogy hogyan kell az ilyen típusú beállításokat elvégezni, lépjen kapcsolatba a forgalmazóval.

### VIGYÁZAT

**Amikor a motor üresjáróban van, a vágórész semmilyen körülmények között nem foroghat.**

### Légszűrő (32. ábra)

A légszűrőt meg kell tisztítani a portól és kosztól, hogy az alábbiak elkerülhetőek legyenek:

- Karburátor hibás működése
- Indítási hibák
- A motor teljesítményének csökkenése
- A motor alkatrészeinek szükségtelen kopása
- Magas üzemanyag-fogyasztás

Tisztítsa naponta vagy gyakrabban a légszűrőt, ha nagyon poros környezetben dolgozik.

### A légszűrő tisztítása

Távolítsa el a légszűrő fedelét és a légszűrőt (1). Öblítse ki őket langyos szappanos vízben. Ellenőrizze, hogy a szűrő száraz-e mielőtt visszaszereli a gépbe. A hosszabb ideje használt légszűrőt nem lehet teljesen kitisztítani. Ezért bizonyos időközönként újjal kell helyettesíteni. A sérült szűrőt mindig cserélni kell.

### Benzinszűrő (33. ábra)

Engedje le az összes üzemanyagot a tankból, és majd húzza ki az üzemanyagszűrő vezetékét. Húzza ki a szűrőt a tartóból, majd áztassa be meleg, mosószeres vízbe.

Áztassa ki alaposan, míg a mosószer teljesen el nem tűnik. Préselje ki - de ne facsarja - a vizet, majd hagyja megszáradni az alkatrészt.

## MEGJEGYZÉS

Amennyiben a felgyülemllett por miatt a szűrő megkeményedett, cserélje ki.

## Gyújtógyertya (34. ábra)

A gyújtógyertya állapotát befolyásolják a következők:

- Helytelen karburátor beállítás
- Rossz benzinkerék használata (túl sok olaj a benzinenben)
- Koszos légszűrő
- Durva üzemelési körülmények (mint például hideg idő)

Ezek a tényezők lerakódásokat eredményezhetnek a gyújtógyertya elektródáin, amely hibás működést és nehézségeket okozhat.

Amennyiben a motor gyenge, nehéz elindítani és nagyon gyengén jár alpjáraton, akkor mindig a gyertyát ellenőrizze először.

Amennyiben a gyertya koszos, tisztítsa meg és ellenőrizze az elektróda hézagot. Amennyiben szükséges, állítsa be újra. A megfelelő hézag 0,6 mm. A gyertyákat 100 óra működés után cserélni kell vagy korábban, ha az elektródák nagyon rozsdásak.

## MEGJEGYZÉS

Bizonyos településeken, a helyi törvények megkövetelik az ellenállás gyújtógyertya használatát, hogy elfojtható legyen az indítási jel. Amennyiben az Ön gépében ellenállás gyújtógyertyák vannak, ha cserélni szükséges, ugyanazzal a típussal cserélje ki.

## Szögáttétel (35. ábra)

50 óras működés után a váltó oldalán található olajszűrő eltávolításával ellenőrizze a váltó vagy a kúpfogaskerék olajsintjét. Amennyiben a kúpfogaskerekek felületén nem látható olaj, töltsse fel a váltót 3/4 részig jó minőségű lítium alapú olajjal. A váltót ne töltsse fel teljesen.

## Penge (36. ábra)

### VIGYÁZAT

**A pengék kezelésekor, vagy karbantatásakor mindig viseljen védőkesztyűt.**

- Éles pengét használjon. Egy tompa penge sokkal nagyobb eséllyel csorbul ki. Cserélje ki a rögzítőcsavart, ha az sérült és nehéz megszorítani.
- A penge cseréjekor a HITACHI által javasolt pengét vásárolja meg, melyen 25,4 mm (egy hüvelyk) a furat átmérője.
- A penge telepítésekor (2), mindig a megjelölt rész nézzen felfelé. Egy 4-fogas vágókorong (1) esetén mindkét oldal használható.
- A munkához mindig a megfelelő pengét használja.
- A penge cseréléhez megfelelő szerszámokat használjon.
- Ha a vágófelület tompává válik, az ábrán látható módon élesítse vagy reszelje meg. A helytelen élesítés túlzott mértékű vibrációt okozhat.
- Az elhajolt, meggörbült, repedt, törött vagy bármiféle módon sérült pengéket dobja ki.

## MEGJEGYZÉS

A penge élezésekor nagyon fontos, hogy a fogak megtartsák az eredeti alakjukat.

## Karbantartási ütemezés

Az alábbiakban általános karbantartási utasításokat talál. További információt a HITACHI kereskedőjétől kaphat.

### Napi karbantartás

- A gép külsejének tisztítása.
- Ellenőrizze, hogy a burkolat sértetlen-e.
- Ellenőrizze, hogy nem sérült-e vagy törött-e a penge-védő. Horpadás vagy törés esetén cserélje ki a védőt.
- Ellenőrizze, hogy a vágórész megfelelően középre van-e igazítva, hogy éles-e, továbbá, hogy nincs-e rajta repedés. Egy nem középre igazított vágórész olyan rezgéseket hozhat létre, mely kárt tehet az eszközben.
- Ellenőrizze, hogy a vágórész csavaranyája megfelelően meg van-e húzva.
- Bizonyosodjon meg róla, hogy a láncvezető védő sértetlen és könnyen feltehető.
- Ellenőrizze, hogy a csavarok eléggé meg vannak-e húzva.

### Heti karbantartás

- Ellenőrizze az indítót, különösen a vezetékét.
- Tisztítsa meg a gyertyafurat külsejét.
- Távolítsa el a gyertyát és vizsgálja meg az elektróda hézagot. Állítsa be 0,6 mm-re vagy cserélje a gyertyát.
- Ellenőrizze, hogy az indítónál lévő légbeszívó em tömődött-e el.
- Ellenőrizze, hogy a szögáttétel háza fel van-e töltve zsirral a 3/4-ed részéig.
- Tisztítsa meg a légszűrőt.

### Havi karbantartás

- Öblítse ki a benzintartályt gázolajjal és tisztítsa ki a bezin szűrőt.
- Tisztítsa meg a karburátor külsejét és a körülötte lévő helyeket.

### Negyedéves karbantartás












- Tisztítsa meg a henger hűtőbordáit.
- Tisztítsa meg a hűtőventilátort és a körülötte lévő helyeket.
- Tisztítsa meg a kipufogódobot a koromtól.

### FIGYELEM

A hűtőbordák, a ventilátor és a kipufogó tisztítását bizza hivatalos HITACHI szervizközpontra.

## Význam symbolů

### POZNÁMKA : Některé jednotky jimi nejsou označeny.

	<p><b>Symbols</b>   <b>VAROVÁNÍ</b>          Následující text obsahuje symboly, které jsou použity na zařízení. Ujistěte se, že rozumíte jejich obsahu před tím, než začnete zařízení používat.</p>		
	<p>Je důležité, abyste četli a plně pochopili následující bezpečnostní upozornění a varování. Neopatrné používání přístroje může způsobit vážné nebo smrtelné zranění.</p>		<p>Zobrazuje maximální rychlost hřídele. Nepoužívejte sekací agregát, jehož otáčky jsou nižší než otáčky hřídele.</p>
	<p>Čtete, seznamte se a dodržujte všechna varování a pokyny v tomto manuálu i na přístroji.</p>		<p>V případě potřeby, např. při montáži řezného zařízení, noste ochranné rukavice.</p>
	<p>Při práci s tímto zařízením vždy používejte ochranu hlavy, zraku i sluchu.</p>		<p>Noste pevnou a odolnou obuv s protiskluzovou podrážkou.</p>
	<p>Pokud je na zařízení tento symbol, nepoužívejte kovové (tuhé) nože.</p>		<p>Pokud se roztočený nůž střetne v kritické oblasti s pevnou překážkou, může dojít k nárazu. Může nastat prudká reakce končící odhozením zařízení i obsluhy. Této reakci se říká ráz nože. V jejím důsledku může obsluha ztratit nad zařízením kontrolu, což může skončit vážným i smrtelným zraněním. Ráz nože je pravděpodobnější při sekání v prostorech, kde je nasekaný materiál obtížně vidět.</p>
	<p>Všechny děti, náhodní přítomní i spolupracující osoby by se neměli přibližovat na méně než 15 m. Pokud se k vám někdo přiblíží, ihned vypněte motor a sekací agregát.</p>		
	<p>Pozor na odletující předměty.</p>		
<p><b>Před použitím zařízení</b></p> <ul style="list-style-type: none"> <li>• Pečlivě čtete návod.</li> <li>• Zkontrolujte správné připojení a nastavení řezného mechanismu.</li> <li>• Nastartujte přístroj a zkontrolujte seřízení karburátoru. Viz "ÚDRŽBA".</li> </ul>			

### Obsah

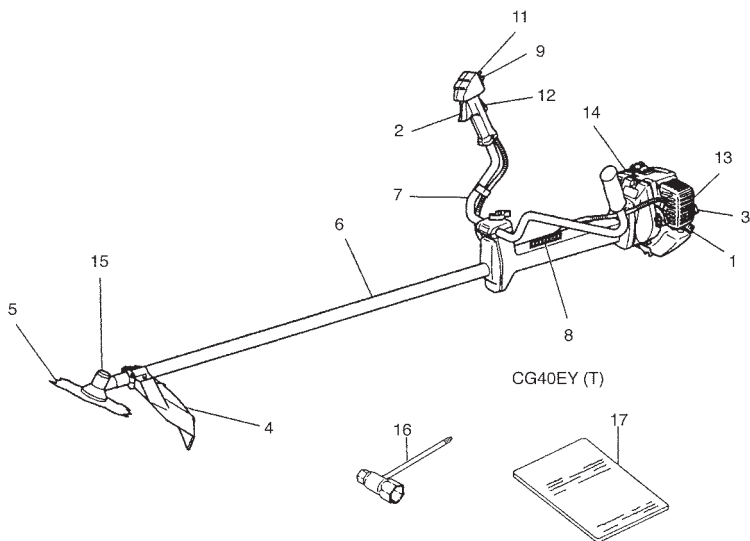
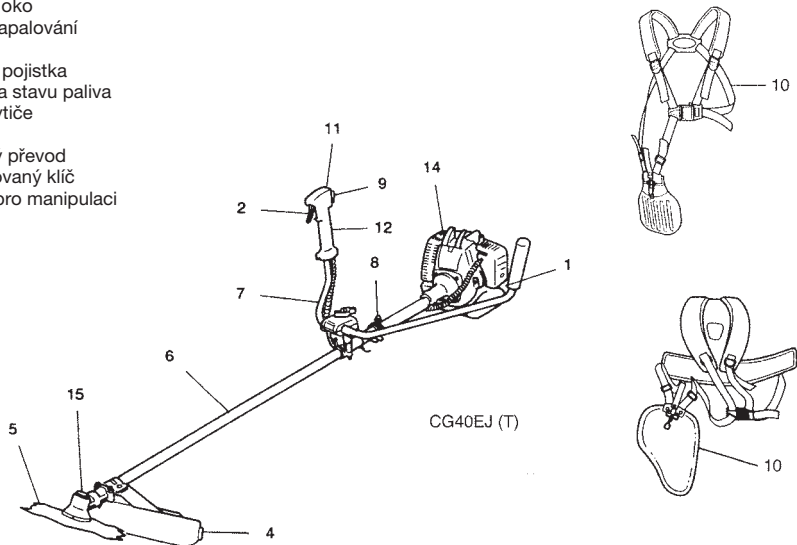
Co je co .....	2
Varování a bezpečnostní pokyny .....	3
Specifikace .....	4
Montážní postupy .....	5
Obsluha .....	6
Údržba .....	7



## Co je co

Protože se tento manuál vztahuje na několik modelů, mohou existovat menší rozdíly mezi obrázky a vaším zařízením. Použijte pokyny, které platí pro vaše zařízení.

1. Víčko palivové nádrže
2. Ovladač přívodu paliva
3. Startovací páčka
4. Kryt nože
5. Sekací agregát
6. Manžeta hřídele
7. Madlo
8. Závěsné oko
9. Spínač zapalování
10. Popruh
11. Palivová pojistka
12. Kontrolka stavu paliva
13. Páčka sytiče
14. Motor
15. Kuželový převod
16. Kombinovaný klíč
17. Pokyny pro manipulaci



# Varování a bezpečnostní pokyny

## Bezpečnost obsluhy

- Vždy noste ochranný štít nebo brýle.
- Vždy noste pevné dlouhé kalhoty, boty a rukavice. Nenoste volně oblečení, šperky, krátké kalhoty ani sandály ani nechodte bosí. Vlasy si upravte tak, aby končily nad linií ramen.
- S nástrojem nepracujte, pokud jste vyčerpaní, nemocní nebo jste pod vlivem alkoholu, drog nebo léků.
- Nikdy nedovoďte zacházet dítěti nebo nezkušené osobě se strojem.
- Používejte chrániče sluchu. Věnujte pozornost svému okolí. Vnímejte každého kolemstojícího, který vám může signalizovat problém. Ihned po vypnutí motoru odstraňte bezpečnostní vybavení.
- Používejte chrániče hlavy.
- Nikdy motor nespouštějte v uzavřené místnosti nebo budově. Vdechování výfukových výparů může zabít.
- Rukojeti nenechte zašpinit olejem a palivem.
- Ruce držte dál od řezné části.
- Zařízení nikdy nechtejte za řeznou část.
- Po vypnutí zařízení se před jeho položením na zem ujistěte, že se pohyblivé součásti zastavily.
- Při dlouhodobějším používání si dopřejte přestávky, abyste se vyhnuli syndromu vibrace v pažích způsobenému dlouhodobým řezáním.

## VAROVÁNÍ

**Antivibrační systémy nezaručí imunitu vůči vibracím v pažích ani vůči syndromu karpálního tunelu. Pravidelní a dlouhodobí uživatelé by proto měli sledovat stav svých paží a prstů. Pokud se dostaví kterýkoliv z popisovaných příznaků, ihned vyhledejte odbornou lékařskou pomoc.**

## VAROVÁNÍ

**Pokud používáte jakýkoliv zdravotnický elektrický/elektronický přístroj, např. kardiostimulátor, poraďte se s lékařem i dodavatelem zařízení, než je začnete používat.**

## Bezpečnost zařízení

- Před každým použitím celé zařízení/přístroj důkladně prohlédněte. Vyměňte poškozené součásti. Zkontrolujte úniky paliva a ověřte si, že všechny uzávěry jsou na svém místě utažené.
- Před použitím zařízení/přístroje vyměňte prasklé nebo jakkoliv jinak poškozené součásti.
- Dbejte na to, aby byla správně upevněna ochrana čepelu.
- Při provádění úprav karburátoru pracujte mimo blízkost dalších osob.
- Používejte pouze příslušenství doporučené výrobcem.

## VAROVÁNÍ

**Nikdy zařízení/přístroj žádným způsobem neupravujte. Zařízení/přístroj používejte výhradně k účelu, k němuž je určeno.**

## Bezpečnost v zacházení s pohonnými hmotami

- Palivovou směs míchejte a dolévejte venku a mimo přítomnost jisker nebo ohně.
- Na palivo používejte schválenou nádobu.
- Při používání zařízení/přístroje ani kdykoliv jindy v jeho blízkosti nekuřte a kouření nedovoďte.
- Před nastartováním otřete případně uniklé palivo.
- Před nastartováním popojďte od místa plnění nejméně o 3 m.
- Před sejmutím víčka nádrže motor vypněte.
- Před uložením zařízení palivovou nádrž vyprázdňte. Po každém použití se doporučuje vyprázdnit palivo. Pokud palivo ponecháte v nádrži, ukládejte přístroj tak, aby neuniklo.
- Přístroj a palivo ukládejte tak, aby výpary z paliva nebyly v kontaktu s jiskrou nebo otevřeným plamenem – pozor na bojler, elektromotory, spínače, kotle atd.

## VAROVÁNÍ

**Při manipulaci s palivem dbejte mimořádné opatrnosti, protože je snadno vznítkelné, explozivní a vdechovatelné.**

## Bezpečnost při sekání

- Nesekejte žádný jiný materiál kromě trávy a keřů.
- Před každým použitím prohlédněte prostor, kde budete sekat. Odstraňte předměty, které mohou být odmrštěny nebo by se mohly namotat.
- Při sekání trávy, na niž byly aplikovány insekticidy, noste kvůli ochraně dýchacích cest ochrannou masku.
- Osoby zahrnuje děti, zvířata, kolemjdoucí i pomocníky udržujte ve vzdálenosti 15 m mimo nebezpečnou zónu. Pokud se k vám kdokoliv přiblíží, okamžitě motor vypněte.
- Motor držte vždy napravo od těla.
- Stroj držte pevně oběma rukama.
- Udržujte bezpečný a stabilní postoj a rovnováhu. Nepředklánějte se.
- Při běžícím motoru dbejte na to, abyste se žádnou částí těla k řezné části nepřiblížili.
- Držte sekací agregát pod úrovní pasu.
- Při přesunu na jiné místo práce vždy vypněte motor a ujistěte se, že pohyblivé části se zastavily.
- Nikdy nestavte na zem běžící pilu.
- Před čištěním řezné části od jakýchkoliv nečistot se vždy ujistěte, že je pila vypnutá a všechny pohyblivé součásti stojí.
- Při používání tohoto zařízení mějte vždy na dosah lékárníčku.
- Nikdy přístroj nespouštějte v uzavřené místnosti nebo budově a/nebo v blízkosti hořlavých kapalin. Vdechování výfukových výparů může zabít.

## Bezpečnost při údržbě

- Zařízení/přístroj udržujte podle stanovených doporučení.
- S výjimkou seřizování karburátoru vyjměte před každou údržbou svíčky.
- Při provádění úprav karburátoru pracujte mimo blízkost dalších osob.
- Používejte pouze originální náhradní díly HITACHI doporučené výrobcem.

## UPOZORNĚNÍ

Startér nerozebírejte. Vratná pružina by vám mohla způsobit úraz.

## Transport a uskladnění

- Zařízení/přístroj přenášejte za rukojeť s motorem vypnutým a tlumičem stranou od těla.
- Motor nechte vychladnout, vyprázdňte palivovou nádrž a před uložením nebo transportem zařízení/přístroj zajistěte.
- Před uložením zařízení palivovou nádrž vyprázdňte. Po každém použití se doporučuje vyprázdnit palivo. Pokud palivo ponecháte v nádrži, ukládejte přístroj tak, aby neuniklo.
- Zařízení/přístroj ukládejte mimo dosah dětí.
- Zařízení/přístroj pečlivě čistěte a ukládejte je na suchém místě.
- Při přepravě nebo ukládání se ujistěte, že je vypnut spínač motoru.
- Při přepravě ve vozidle zakryjte nůž krytem.

Pokud se vyskytne situace, o které tento manuál nepojednává, buďte opatrní a používejte logický úsudek. Pokud potřebujete pomoc, kontaktujte prodejce HITACHI. Zvláštní pozornost věnujte úsekům uvozeným následujícími slovy:

## VAROVÁNÍ

**Naznačuje možnost vážného úrazu nebo ohrožení života v případě nedodržení.**

## UPOZORNĚNÍ

Naznačuje možnost úrazu nebo poškození zařízení v případě nedodržení.

## POZNÁMKA

Prospěšné informace pro správnou funkci a užívání.

## Specifikace

MODEL		CG40EY (T)	CG40EJ (T)
Motor			
Zdvíhový objem (cm <sup>3</sup> ) (ml)		39.8	
Zapalovací svíčka		NGK BPM6A nebo ekvivalent	
Chod na volnoběh (min <sup>-1</sup> )		2,800	
Doporučená max. rychlost (min <sup>-1</sup> )		11,000	
Rychlost hnací hřídele (min <sup>-1</sup> )		8,300	
Max. výkon motoru (kW)		1.31 (@7000 min <sup>-1</sup> )	
Kapacita palivové nádrže (cm <sup>3</sup> ) (ml)		1,000	
Hrubá váha (kg)		8.3	7.7
Sekací agregát	Typ / Prům. (mm)	Ocelový nůž 3Tx305	Ocelový nůž 3Tx305
Hodnota akustického tlaku LpA (dB (A))	(ISO 22868)		
	Ekvivalent	93.7	93.7
	Nejistota	0.2	0.2
Změřená hladina akustického výkonu LwA (dB (A))	(ISO 22868 )		
	Ekvivalent	104	104
Zaručená hladina akustického výkonu LwA (dB (A))	(2000/14/EC)		
	Plný provoz	116	116
Hladina vibrací (m/s <sup>2</sup> )	(ISO 22867)		
	Ekvivalentní (Přední / levá rukojeť)	1.3	2.2
	Ekvivalentní (Zadní / pravá rukojeť)	1.1	2.3
	Nejistota	1.5	1.5
	Volnoběh (Přední / levá rukojeť)	1.2	2.2
	Volnoběh (Zadní / pravá rukojeť)	1.2	2.3
	Plný provoz (Přední / levá rukojeť)	1.3	2.2
	Plný provoz (Zadní / pravá rukojeť)	0.9	2.3

POZNÁMKA: Ekvivalentní hladina hluku/hladina vibrací se vypočítává jako časově vážený součet energie na hluk/vibrace v různých pracovních podmínkách s následujícím časovým rozdělením: 1/2 volnoběh, 1/2 plný provoz.

\* Změna dat bez předchozího ohlášení vyhrazena.

---

## Montážní postupy

---

### Hnací hřídel k motoru (obr. 1)

Připevněte motor ke krytu spojky (2) pomocí čtyř dodaných šroubů nebo svorníků (1).

### Montáž držadla (obr. 2)

Držadlo připevněte k trubici hnací hřídele pod úhlem směřujícím směrem k motoru.

Před začátkem práce jej nastavte do nejpohodlnější polohy, avšak nikoliv příliš blízko k motorové hlavě.

### Montáž držadla (obr. 3, 4)

Odstraňte konzolu držadla (1) ze soustrojí. (obr. 3)

Umístěte držadla a konzolu mírně připevněte čtyřmi šrouby.

Upravte do správné polohy. Poté ji řádně připevněte pomocí šroubů.

Uvolněte kyčelní podložku a smotejte s ní vypínací šňůry a škrťací drát (1). (obr. 4)

### POZNÁMKA pro CG40EY (T) (obr. 5, 6)

Hnací hřídel a motor tohoto modelu jsou již namontovány z výroby. Je nutné pouze šroubem a maticí připevnit uchycení šrtící klapy na držák a potom ji namontovat na konzoly držadla. Prsty pevně utáhněte matici s kolečkem.

### Montáž držadla pro CG40EJ (T) (Obr. 7, 8)

Umístěte držadla a konzoly držadel mírně připevněte otočnými knoflíky. Upravte do správné polohy. Poté ji řádně připevněte otočnými knoflíky.

Šroubem a maticí připevněte uchycení šrtící klapy na držák.

### POZNÁMKA

Ochrannou trubici na hnací hřídeli nebo držadle připevněte pomocí svorek se šňůrou.

### Škrťací drát / vypínací šňůra

Odstraňte kryt čističe vzduchu. (obr. 9)

Zapojte vypínací šňůry. (obr. 10)

Konec škrťacího drátu zapojte do karburátoru. (obr. 11)

Škrťací drát a vypínací šňůry zabezpečte přiloženou ochrannou trubici, která by měla dosahovat až ke krytu čističe vzduchu. (obr. 12)

### Instalace krytu nože (obr. 13, 14, 15, 16)

### POZNÁMKA

U některých modelů může být držák krytu již namontován na pouzdro převodovky.

Ochranný prvek kotouče namontujte na trubici hnací hřídele naproti kuželovému soukolí. Konzolu dobře upevněte tak, aby se ochranný prvek během práce nemohl pohupovat nebo pohybovat směrem dolů.

### UPOZORNĚNÍ

Některé kryty nože jsou vybaveny ostrými omezovači. Při manipulaci s nimi buďte opatrní.

### POZNÁMKA (obr. 14)

Pokud na svém přístroji používáte hliníkovou hlavu HITACHI (CH-100 nebo CH-300), ostrý omezovač (2), který je součástí dodávky, měl by být důkladně upevněn na kryt nože pomocí vyobrazeného šroubu (3).

Při používání dostřihovací hlavy s dvoudílným krytem nože upevněte na kryt nože nástavec. (Obr. 15)

### POZNÁMKA

Při nasazování nástavce na kryt nože musí být z krytu odstraněn ostrý omezovač (pokud existuje).

### POZNÁMKA

Pokud má váš přístroj na manžetě hřídele štítek znázorňující umístění krytu, držte se vyobrazení.

### POZNÁMKA

Při odstraňování nástavce krytu postupujte podle výkresu. Noste rukavice, protože nástavec má ostrý omezovač, postupně stlačte všechny čtyři záchyty na krytu. (Obr. 16)

### Instalace řezné lišty (nože) (obr. 17, 18)

(Pokud existuje)

Při instalaci nože se ujistěte, že je v bezvadném stavu bez jakéhokoliv poškození, a že řezná ostří směřují správným směrem.

### POZNÁMKA

- Při instalaci krytu držáku nože (1) kontrolujte, zda je vyduťá strana obrácena vzhůru.
- Vložte šestihřanný pákový klíč (2) do otvoru v kuželovém převodu a zajistěte držák nože (3). Upozorňujeme, že upínací šroub nebo matice nože (4) má levý závit (ve směru hodinových ručiček povolovat/ opačně utahovat). Nástrčným klíčem utáhněte upínací šroub nebo matici.

### POZNÁMKA

Máte-li zařízení s fixační maticí vybavené závlačkou, je po každé montáži nutné opatřit kotouč novou závlačkou (5). (obr. 19)

### UPOZORNĚNÍ

Před zahájením provozu se ujistěte, že byl nůž správně nainstalován.

### UPOZORNĚNÍ

Pokud je váš přístroj vybaven ochranným krytem pod nožem, zkontrolujte před zahájením provozu, zda nemá praskliny nebo trhliny. Pokud shledáte jakékoliv stopy poškození nebo opotřebení, vyměňte ho, jedná se o spotřební materiál.

## Instalace řezné hlavy

### POZNÁMKA

Viz instalační manuál dodávaný s řeznou hlavou.

### VAROVÁNÍ

Na hlavy HITACHI Brain nebo slitinové hlavy HITACHI používejte pouze pružná, nekovová lanka doporučená výrobcem. Nikdy nepoužívejte dráty nebo drátěná lanka. Mohou prasknout a fungovat jako nebezpečný projektil.

### POZNÁMKA

Při používání slitinové hlavy HITACHI (CH-100) by měla být počáteční délka řezu asi 17 cm. (obr. 20)

## Obsluha

### Palivo (obr. 21)

### VAROVÁNÍ

- Dostřihovač je vybaven dvoutaktním motorem. Vždy spouštějte motor s palivem smíšeným s olejem. Při doplňování nebo jiné manipulaci s palivem dbejte na kvalitní větrání.
- Palivo je vysoce vznětlivé a při jeho vdechnutí nebo potřísnění těla hrozí vážná újma. Při manipulaci s palivem buďte vždy pozorní. Při manipulaci s palivem v budovách vždy dbejte na dostatečné větrání.

### Palivo

- Vždy používejte značkový bezolovnatý benzin 89 okt.
- Používejte kvalitní olej na dvoutaktní motory nebo směs v poměru 25:1 až 50:1, přičemž ohledně poměru se informujte na obalu oleje nebo u prodejce HITACHI.
- Pokud není originální olej k dispozici, použijte kvalitní olej s antioxidantními aditivami výslovně označený pro vzduchem chlazené dvoutaktní motory (JASO FC GRADE OIL nebo ISO EGC GRADE). Nepoužívejte míchaný olej BIA ani TCW (pro vodou chlazené dvoutakty).
- Nikdy nepoužívejte univerzální (10 W/30) ani odpadní olej.
- Benzin s olejem vždy míchejte ve vyčleněné čisté nádobě.

Vždy nejprve dolojte nádrž do poloviny potřebného množství a až poté dolojte vše. Palivovou směs promíchejte (protřepat). Přidejte zbývající množství benzínu. Před naplněním palivové nádrže palivovou směs důkladně promíchejte (protřepat).

### Doplňování paliva

### VAROVÁNÍ

- Před doplňováním paliva vždy zhasněte motor.
- Při doplňování paliva nádrž otvírejte pomalu, aby mohl případný přetlak uniknout.
- Po doplnění pečlivě dotáhněte víčko palivové nádrže.
- Před spuštěním dostřihovače se s ním vždy přemístěte nejméně 3 m od místa, kde jste doplňovali palivo.
- Případně potřísnění palivem si z oblečení vždy odstraňte mýdlem.
- Po doplnění paliva vždy zkontrolujte jakékoliv úniky.

Před doplňováním vyčistěte okolí krytu nádrže, aby se do ní nedostala žádná nečistota. Před doplněním posledním protřepáním nádoby zajistěte důkladné rozmíchání směsi.

### Spuštění (obr. 22, 23, 24, 25)

### UPOZORNĚNÍ

Před spuštěním se ujistěte, že se sekací agregát ničeho nedotýká.

1. Spínač zapalování (1) nastavte do polohy ON. (Obr. 22, 23)
  - \* Několikrát zatlačte na spouštěcí nádobku (4) tak, aby zpětnou trubicí začalo protékat palivo. (obr. 24)
2. Při stisknutém blokování spouštěče plynu (2) (pokud je použito) zatáhněte za spouštěč plynu a stiskněte blokování plynu (3). Potom pomalu pouštějte spouštěč plynu a blokování spouštěče plynu. Tím se plyn zajistí v pozici startu. (Obr. 22, 23)
3. Nastavte páčku sytiče do polohy CLOSED (zavřeno) (4). (Obr. 25)
4. Rychle šknubněte za pružný startér a rukojeť přitom důkladně držte, nenechte si ji vyklouznout.
5. Až uslyšíte, že má motor snahu startovat, vraťte páčku sytiče do polohy RUN (otevřeno). Pak za startér opět rázně zatáhněte.

### POZNÁMKA

Pokud motor nenastartuje, zopakujte kroky 2 až 5.

6. Po nastartování motoru zatáhněte za ovladač přívodu paliva a uvolněte palivovou pojistku. Před jakoukoliv zátěží pak motor nechte zahřívát asi 2–3 minuty.

### Sekání (obr. 26, 27, 28, 29)

- Při sekání držte motor v otáčkách nad 6500 ot./min. Při dlouhodobějším používání v nízkých otáčkách může docházet k předčasnému opotřebení spojky.
- Trávu sekejte zprava doleva.
- Pokud se roztočený nůž střetne v kritické oblasti s pevnou překážkou, může dojít k nárazu. Může nastat prudká reakce končíci odhozením zařízení i obsluhy. Těto reakci se říká ráz nože. V jejím důsledku může obsluha ztratit nad zařízením kontrolu, což může skončit vážným i smrtelným zraněním. Ráz nože je pravděpodobnější při sekání v prostorách, kde je na sekaný materiál obtížné vidět.
- Popruh noste tak, jak je znázorněno na obrázku (pokud existuje). Nůž se točí proti směru hodinových ručiček, proto abyste dosáhli efektivního sekání, pracujte zprava doleva. Všechny ostatní osoby by se musí vzdálit na nejméně 15 m.

### POZNÁMKA

V případě nouze stiskněte nouzový vypínač nebo zatáhněte za nouzovou klapku (pokud existuje). (Obr. 28)

### VAROVÁNÍ

Pokud sekací agregát narazí na kameny nebo jiné překážky, je třeba vypnout motor a zkontrolovat, zda nedošlo k poškození pracovní části a dalších součástí. Pokud se na přístroj namotá tráva nebo jiné rostliny, vypněte motor a namotaný rostlinný materiál odstraňte.

## Zastavení (obr. 30)

Snižte otáčky motoru, nechte ho pár minut běžet na volnoběh a teprve pak vypněte spínač zapalování.

### VAROVÁNÍ

**Sekak agregát může způsobit úraz i po vypnutí motoru nebo ztlumení plynu, pokud se ještě točí. Po vypnutí zařízení se před jeho položením na zem ujistěte, že se pohyblivé součásti zastavily.**

---

## Údržba

---

### ÚDRŽBU, VÝMĚNU NEBO OPRAVU EMISNÍCH ZAŘÍZENÍ A SYSTÉMU MŮŽE PROVÉST KTERÁKOLI OPRAVNA MIMO AUTOOPRAVNÝ NEBO ODBORNÝ OPRAVÁŘ.

#### Seřízení karburátoru (obr. 31)

### VAROVÁNÍ

**Sekak agregát se může během seřizování karburátoru otáčet.**

### VAROVÁNÍ

**Nikdy motor nespouštějte, pokud nemáte namontovaný kryt spojky a manžetu! Jinak se může uchopení uvolnit a způsobit poranění osob.**

V karburátoru, palivo je smíšené s vzduchem. Karburátor se nastavuje při zkušebním provozu motoru ve výrobě. Další úprava může být požadována, podle klimatu a nadmořské výšky.

Karburátor má jednu regulační možnost:

**T = seřizovací šroub volnoběhu.**

#### Seřízení otáček chodu naprázdno (T)

Zkontrolujte, zda vzduchový filtr je čistý. Když je volnoběh nastaven správně, řezné ústrojí se nebude točit. Pokud je potřebná úprava, dotáhněte (ve směru otáčení hodinových ručiček) šroub T při běžícím motoru, dokud se řezné ústrojí nezačne točit. Povolte (proti směru hodinových ručiček) šroub, dokud se řezné ústrojí nezastaví. Správného volnoběhu je dosaženo, pokud motor plynule běží ve všech polohách těsně pod otáčkami, při nichž se řezné ústrojí začíná točit.

Pokud se řezná část stále točí po seřízení otáček chodu naprázdno, kontaktujte prodejce HITACHI.

#### POZNÁMKA

Standardně jsou volnoběžné otáčky 2500–3000 ot./min.

#### POZNÁMKA

U některých modelů prodávaných do zemí s přísnými emisními limity není možnost seřízení vysokých a nízkých otáček karburátoru. Takovéto úpravy motoru by umožňovaly nastavení mimo stanovené emisní limity. Pro tyto modely je u karburátoru možné pouze seřízení volnoběhu.

U modelů vybavených seřizováním vysokých a nízkých otáček je karburátor nastaven z výroby. Menší úpravy mohou optimalizovat výkon v závislosti na klimatu, nadm. výšce atd. Nikdy seřizovacími šrouby neotáčejte o víc než 90 stupňů najednou, protože nesprávné seřízení může poškodit motor. Pokud nejste se seřizováním obeznámeni, vyžádejte si pomoc dealera HITACHI.

### VAROVÁNÍ

**Pokud je motor spuštěn na volnoběh, řezné ústrojí se nesmí za žádných okolností točit.**

#### Vzduchový filtr (obr. 32)

Vzduchový filtr musí být očištěný od prachu a nečistot, aby se předešlo:

- Selhání karburátoru
- Spouštěcím problémům
- Snížení výkonu motoru
- Zbytečnému opotřebování motorových částí
- Nadměrné spotřebě paliva

Vzduchový filtr čistěte denně, pokud pracujete v nadměrně prašných oblastech, pak i častěji.

#### Čištění vzduchového filtru

Odstraňte kryt vzduchového filtru i filtr samotný (1). Opláchněte mýdlovou vodou. Před opětovným namontováním zkontrolujte, zda je filtr suchý. Vzduchový filtr který byl užívaný po určitou dobu nelze zcela vyčistit. Proto musí být pravidelně vyměňován za nový. Poškozený filtr musí být vždy vyměněn.

#### Palivový filtr (obr. 33)

Vypusťte z palivové nádrže všechno palivo a z nádrže vytáhněte vedení palivového filtru. Vytáhněte filtr z držáku a vypláchněte ve teplé vodě s odmašťujícím přípravkem.

Proplachujte důkladně tak dlouho, dokud nebude odmašťující přípravek vypláchnut docela. Filtrační vložku vymačkejte (neždímat), aby se odstranila nadbytečná voda, pak nechte uschnout na vzduchu.

#### POZNÁMKA

Pokud je filtrační vložka ztvrdlá vlivem usazenin nečistot, vyměňte ji.

#### Zapalovací svíčka (obr. 34)

Stav svíčky je ovlivněn následujícími faktory:

- Nesprávné seřízení karburátoru
- Špatná palivová směs (příliš mnoho nafty v benzínu)
- Špinavý vzduchový filtr
- Tvrdé provozní podmínky (jako například chladné počasí)

Tyto faktory způsobí usazeniny na elektrodách svíčky které mohou mít za následek špatné fungování a spouštění. Pokud má motor horší výkon, obtížně startuje nebo má nesprávný chod na volnoběh, vždy nejprve zkontrolujte svíčku. Pokud je svíčka znečištěná, vyčistěte ji a zkontrolujte odtrh elektrod. Znovu seřídte, bude-li to nezbytné. Správný odtrh je 0,6 mm. Zapalovací svíčka by měla být vyměněna po cca 100 provozních hodinách nebo dříve, pokud jsou elektrody výrazně erodované.

## POZNÁMKA

V některých oblastech, místní zákon vyžaduje používání rezistorové zapalovací svíčky, aby byly potlačeny zapalovací signály. Pokud byl váš stroj původně vybaven rezistorovou zapalovací svíčkou, použijte k výměně tentýž typ.

## Kuželový převod (obr. 35)

Zkontrolujte kuželový nebo úhlový převod a zjistěte stav maziva po každých 50 provozních hodinách vytažením zátky mazacího filtru z boku převodu.

Pokud na bocích převodu není žádné mazivo viditelné, doplňte převod kvalitním univerzálním mazivem na bázi lithia do 3/4. Neplňte převod úplně.

## Nůž (obr. 36)



### VAROVÁNÍ

**Při práci s nožem nebo při jeho údržbě noste ochranné rukavice.**

- Používejte ostrý nůž. Tupý nůž se snáze zachytí a kopne. Pokud je upínací matice poškozená a jde obtížně utahovat, vyměňte ji.
- Pokud nůž vyměňujete, kupujte nůž doporučený firmou HITACHI s montážním otvorem o průměru 25,4 mm (jeden palec).
- Při instalaci pilové lišty (2) vždy obraťte raženou stranu vzhůru. V případě 4zubého nože (1) lze používat oboustranně.
- Pro každý druh práce používejte správný nůž.
- Při výměně nožů používejte odpovídající nástroje.
- Pokud jsou řezné hrany tupé, přiosťte je nebo přibruste podle obrázku. Nesprávné naostření může vyvolávat nadměrné vibrace.
- Zbavte se nožů, které jsou ohnuté, zkroucené, prasklé, zlomené nebo jakkoliv jinak poškozené.

## POZNÁMKA

Při ostření nože je důležité dodržovat původní tvar při patě zubu, aby nedošlo k prasknutí.

## Plán údržby

Níže jsou uvedeny některé všeobecné pokyny pro údržbu. Pro bližší informace kontaktujte prosím prodejce HITACHI.

### Denní údržba

- Vyčistěte zevnějšek agregátu.
- Zkontrolujte, zda popruh není poškozen.
- Hledejte praskliny nebo jiná poškození. V případě prasklin nebo jiného poškození kryt vyměňte.
- Ověřte, zda je sekací agregát správně vycentrován, ostrý a bez prasklin. Nevycentrováný sekací agregát vyvolává prudké vibrace, které mohou poškodit celé zařízení.
- Zkontrolujte dostatečné utažení matice sekacího agregátu.
- Ujistěte se, že ochranný kryt sloužící k přepravě kotouče není poškozen a zda jej lze bezpečně namontovat.
- Zkontrolujte dostatečné utažení matic a šroubů.

### Týdenní údržba

- Zkontrolujte startér, obzvláště přívodní šňůru.
- Začistěte zevnějšek zapalovací svíčky.
- Odvezte zapalovací svíčku a zadržujte vzdálenost elektrod. Nastavte to pro 0,6 mm nebo vyměňte zapalovací svíčku.
- Zkontrolujte, zda přívod vzduchu do startéru není ucpaný.
- Zkontrolujte, zda je ozubené kolo soukolí naplněno mazivem do 3/4.
- Začistěte vzduchový filtr.

### Měsíční údržba

- Vypláchněte palivovou nádrž s benzinem, a začistěte čistič paliva.
- Začistěte zevnějšek karburátoru a výplněk kolem toho.











### Čtvrtletní údržba

- Vyčistěte chladicí žebra na válci.
- Začistěte fanouška a výplněk kolem toho.
- Začistěte šálu uhlíku.

### UPOZORNĚNÍ

Čištění žeber válce, větráku a tlumiče by mělo být provedeno Autorizovaným střediskem společnosti HITACHI.

**Sembollerin anlamları****NOT :** Bazı ünitelerde bu semboller yoktur.

	<p><b>Semboller</b>  <b>⚠ UYARI</b>  Aşağıda, bu alet için kullanılan simgeler gösterilmiştir. Aleti kullanmadan önce bu simgelerin ne anlama geldiğini anladığınızdan emin olun.</p>		
	<p>Aşağıdaki emniyet ikaz ve uyarıların okumanızı, iyice anlamanız ve uygulamanız önemlidir. Ünitenin dikkatsiz veya hatalı kullanılması ciddi ve hatta ölümcül yaralanmalara yol açabilir.</p>		<p>Maksimum shaft hızını gösterir. Maksimum devir hızı shaft devir hızından düşük olan kesme donanımları kullanılmamalıdır.</p>
	<p>Bu kılavuzdaki ve ünite üzerindeki tüm uyarıları ve talimatları okuyun, anlayın ve uygulayın.</p>		<p>Gerekli olduğunda, örneğin kesme donanımı takılırken eldiven takılmalıdır.</p>
	<p>Bu üniteyi kullanırken, mutlaka emniyet gözlüğü, koruyucu başlık ve koruyucu kulaklık takın.</p>		<p>Kaymayan ve sağlam ayakkabı giyilmelidir.</p>
	<p>Ünitenin üzerinde bu işareti gördüğünüzde metal/katı bıçak kullanmayın.</p>		<p>Hızla dönen bıçak, kritik alanda katı bir cisimle temas ettiğinde bıçak geri itilebilir. Bütün ünitenin ve operatörün şiddetli bir şekilde geri itilmesine sebep olan tehlikeli bir reaksiyon meydana gelebilir. Bu reaksiyona bıçağın geri itilmesi denilir. Sonuç olarak operatör ünitenin kontrolünü kaybedebilir, bu durum ciddi veya ölümcül yaralanmaya sebep olabilir. Kesilecek olan malzemeyi görmenden zor olduğu alanlarda bıçağın geri itilme ihtimali daha fazladır.</p>
	<p>Bütün çocukları, çevredeki kişileri ve yardımcıları üniteden 15 metre uzakta tutun. Size herhangi bir kişi yaklaşırsa motoru ve kesme donanımını derhal durdurun.</p>		
	<p>Savrulma cisimlere dikkat edin.</p>		
<p><b>Makinenizi kullanmadan önce</b></p> <ul style="list-style-type: none"> <li>• Kullanım kılavuzunu dikkatle okuyun.</li> <li>• Kesme donanımının doğru bir şekilde takılıp ayarlanmış olup olmadığını kontrol edin.</li> <li>• Üniteyi çalıştırın ve karbüratör ayarını kontrol edin. Bkz "BAKIM".</li> </ul>			

**İçindekiler**

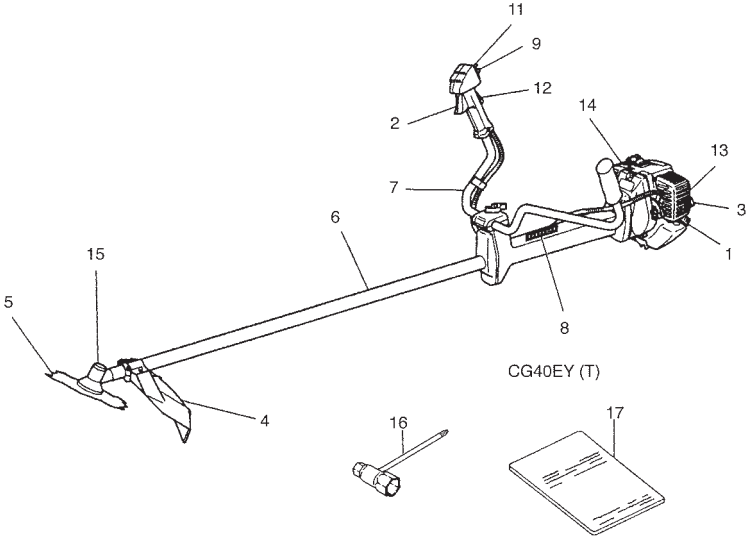
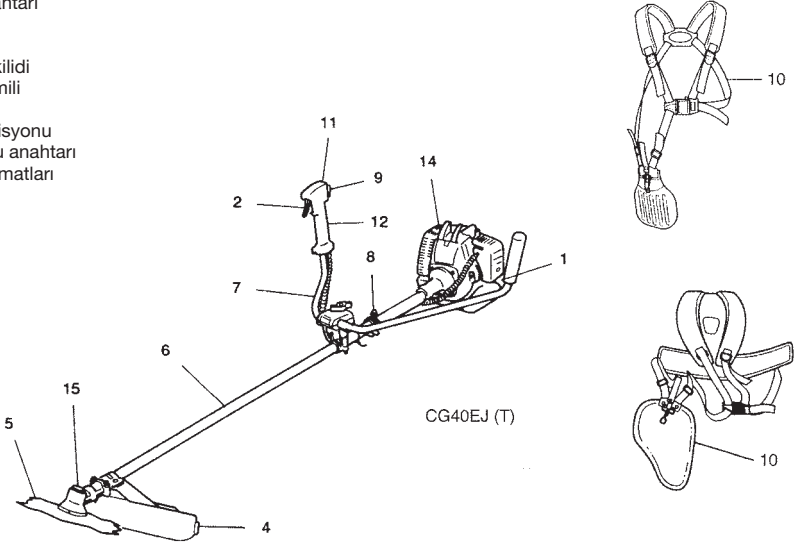
Tanımlar .....	2
Uyarılar ve güvenlik talimatları .....	3
Spesifikasyonlar .....	4
Montaj işlemleri .....	5
Çalıştırma .....	6
Bakım .....	7



## Tanımlar

Bu kullanım kılavuzu birkaç modeli kapsadığı için, resimler ile cihazınız arasında bazı farklar olabilir. Cihazınız için geçerli olan talimatları kullanın.

1. Yakıt kapağı
2. Gaz tetiği
3. Marş düzeneği kolu
4. Bıçak mahfazası
5. Kesme donanımı
6. Tahrik mili borusu
7. Tutma çubuğu
8. Süspansiyon deliği
9. Kontak anahtarı
10. Kayış
11. Gaz kilidi
12. Gaz tetiği kilidi
13. Jigle kolu mili
14. Motor
15. Açık transmisyonu
16. Kombi kutu anahtarı
17. Taşıma talimatları



# Uyarılar ve güvenlik talimatları

## Kullanıcı güvenliği

- Daima yüz koruyucu maske veya emniyet gözlüğü kullanın.
- Daima kalın kumaştan yapılmış uzun pantolon ve bot giyin; eldiven takın. Bol giysiler, kısa pantolon, sandalet giymeyin, takı takmayın; çıplak ayakla çalışmayın. Saçlarınızı omuz hizasından yukarıya olacak şekilde bağlayın.
- Makineyi yorgun veya hastayken ya da alkol, hap veya başka bir ilaç etkisindeyken kullanmayın.
- Makineyi çocukların veya deneyimsiz kişilerin kullanımına kesinlikle izin vermeyin.
- Koruyucu kulaklık takın. Etrafınıza dikkat edin. Çevrenizdeki, bir soruna sebebiyet verebilecek kişilere dikkat edin. Emniyet teçhizatını, motoru kapattıktan hemen sonra çıkarın.
- Başınızı koruyucu baret (kask) kullanın.
- Motoru asla kapalı bir oda ya da bina içinde çalıştırmayın ve kullanmayın. Egzoz dumanının solunması ölümlü sonuçlanabilir.
- Makinenin kulplarında yağ veya yakıt olmadığından emin olun.
- Ellerinizi kesici parçalardan uzak tutun.
- Makineyi kesici kısmından kavramayın ya da tutmayın.
- Makineyi durdurduğunuzda, kesme donanımının makineye bırakılmadan önce durmuş olması gereklidir.
- Makineyle uzun süre çalışırsanız, titreşimden kaynaklanan El-Kol Titreme Sendromundan (HAVS) korunmak için zaman zaman mola verin.

## ⚠️ UYARI

**Titreşim önleyici sistemler sizi El-Kol Titreme Sendromuna yada tekrarlanan hareket arazına karşı koruma garantisi vermemektedir. Bu nedenle, makineyi sürekli kullanan kişiler ellerinin ve parmaklarının durumunu dikkatli şekilde izlemelidir. Yukarıda belirtilen semptomlardan herhangi birinin ortaya çıkması halinde derhal bir doktora başvurun.**

## ⚠️ UYARI

**Kalıp pili gibi elektrikli/elektronik tıbbi herhangi bir cihaz kullanıyorsanız, elektrikle çalışan herhangi bir cihaz kullanmadan önce doktorunuza ve cihaz imalatçısına danışın.**

## Makine güvenliği

- Her kullanımdan önce makinenin/ünitenin her yerini kontrol edin. Hasar gören parçaları yenileriyle değiştirin. Yakıt sızıntısı olup olmadığını kontrol edin ve tüm bağlantıların doğru yerde ve güvenli şekilde sıkılmış olduğundan emin olun.
- Çatlamış, çizilmiş ya da herhangi bir şekilde hasar görmüş parçaları, makineyi/üniteyi kullanmaya başlamadan önce değiştirin.
- Bıçak muhafazasının düzgün şekilde konumlu olduğunu kontrol edin.
- Karbüratör ayarı yaparken çevrenizdeki insanları makineden uzaklaştırın.
- Sadece üretici tarafından bu makine/ünite için önerilen aksesuarları kullanın.

## ⚠️ UYARI

**Makine/ünite üzerinde hiçbir şekilde değişiklik yapmayın. Makineyi/üniteyi kesinlikle amaçlanan kullanım dışında bir iş için kullanmayın.**

## Yakıt güvenliği

- Yakıtı açık havada, alev veya kıvılcım olmayan yerlerde karıştırın ve koyun.
- Yakıt için onaylanmış bir kap kullanın.
- Yakıtın ya da makinenin/ünitenin yakınında ya da makineyi/üniteyi kullanırken sigara içmeyin ve başkalarının içmesine izin vermeyin.
- Motoru çalıştırmadan önce tüm yakıt döküntülerini silerek temizleyin.
- Motoru çalıştırmadan önce makineyi yakıt doldurma alanının en az 3 metre dışına çıkarın.
- Yakıt kapağını çıkarmadan önce motoru durdurun.
- Makineyi kullanmadığınız zamanlarda yerine kaldırmadan önce yakıt deposunu boşaltın. Her kullanımdan sonra yakıtın boşaltılması tavsiye edilir. Depoda yakıt kalması halinde, makineyi yakıtı sızdırmayacak şekilde saklayın.
- Makineyi/üniteyi ve yakıtı, şofbenlerden, elektrikli motorlardan veya şalterlerden, fırınlardan, vb. çıkan alev veya kıvılcımları yakıt buharlarına ulaşamayacağı bir yerde saklayın.

## ⚠️ UYARI

**Yakıt kolayca alev alabilir, patlayabilir veya buharı solunabilir; bu sebeple yakıtı taşırken veya doldururken özel dikkat gösterin.**

## Kesme İşlemi Güvenliği

- Çim ve çalı dışında herhangi bir malzeme kesmeyin.
- Her kullanımdan önce kesilecek olan yeri inceleyin. Savrulabilecek, makineye dolaşabilecek cisimleri temizleyin.
- Solunum sistemini korumak için, böcek ilacı uygulandıktan sonra çim keserken, aerosol koruyucu maske takın.
- Çocukları, hayvanları, çalışanızı izleyen kişileri ve yardımcılarınızı tehlike alanından 15 metre uzakta tutun. Size yaklaşan olursa, derhal motoru durdurun.
- Motoru daima vücudunuzun sağ tarafında tutun.
- Üniteyi/makineyi her iki elinizle sıkıca tutun.
- Ayakta sağlam ve dengeli şekilde durduğunuzdan emin olun. Çok uzanmayın.
- Motor çalışırken tüm vücudunuzun susturucudan ve kesici parçadan uzak durduğundan emin olun.
- Kesme donanımını bel hizanızın altında tutun.
- Yeni bir çalışma bölgesine geçerken, makinenin kapalı olduğundan ve tüm kesme donanımının durdurulmuş olduğundan emin olun.
- Makineyi çalışır durmadayken kesinlikle yere bırakmayın.
- Kesme donanımındaki pislikleri veya otları temizlemeden önce motorun kapalı olduğundan ve tüm kesici bağlantıların tamamen durduğundan mutlaka emin olun.
- Elektrikli el aleti kullanırken daima bir ilk yardım çantası taşıyın.
- Motoru kesinlikle kapalı bir odada veya binada ve/veya yarı bir svinin yakınında çalıştırmayın ve kullanmayın. Egzoz dumanının solunması ölümlü sonuçlanabilir.

## Bakım güvenliği

- Ünitenin/makinenin bakımını önerilen prosedürlere göre yapın.
- Karbüratör ayarları dışında, bakım yapacağınız zaman buji bağlantısını kesin.
- Karbüratör ayarı yaparken çevrenizdeki insanları makineden uzaklaştırın.
- Sadece üreticinin önerdiği orijinal HITACHI yedek parçalarını kullanın.

## UYARI

Marş düzeneğini sökmeyin. Gergi yayı, yaralanmanıza neden olabilir.

## Taşıma ve saklama

- Makineyi/üniteyi, motoru durdurduktan sonra ve susturucuyu vücudunuzdan uzak tutarak elle taşıyın.
- Motoru saklamak için kaldırmadan ya da bir araç ile taşımadan önce, motorun soğumasını bekleyin, yakıt deposunu boşaltın ve üniteyi/makineyi sabitleyin.
- Makineyi kullanmadığınız zamanlarda yerine kaldırmadan önce yakıt deposunu boşaltın. Her kullanımdan sonra yakıtın boşaltılması tavsiye edilir. Depoda yakıt kalması halinde, makineyi yakıtı sızdırmayacak şekilde saklayın.
- Makineyi/üniteyi çocukların ulaşamayacağı bir yerde saklayın.
- Makineyi özenle temizleyin, bakımını yapın ve kuru bir yerde saklayın.
- Taşıma ya da saklama sırasında motorun kapalı olduğundan emin olun.
- Araçla taşırken bıçağa bıçak kılıfını takın.

Bu kılavuzda yer almayan durumlarda, sorunu iradenizle ve sağ duyunuzla çözün. Yardıma ihtiyaç duyarsanız, HITACHI satıcınızla iletişime geçin. Aşağıdaki sözcüklerle vurgulanan ifadelere özellikle dikkat edin.

## ⚠️ UYARI

**Talimatların uyulmaması halinde ciddi yaralanma ya da ölümlü sonuçlanacak risklere işaret eder.**

## UYARI

Talimatların uyulmaması halinde yaralanma ya da makine hasarıyla sonuçlanacak risklere işaret eder.

## NOT

Makinenin işlev ve kullanımında sorunları giderecek bilgileri içerir.

## Spesifikasyonlar

MODEL	CG40EY (T)	CG40EJ (T)	
Motor			
Hacmi (cm <sup>3</sup> ) (ml)	39.8		
Buji	NGK BPM6A veya eşdeğeri		
Rölanti hızı (dak <sup>-1</sup> )	2,800		
Önerilen maks. hız (dak <sup>-1</sup> )	11,000		
Çıkış milii hızı (dak <sup>-1</sup> )	8,300		
Maks. motor çıkışı (kW)	1.31 (@7000 min <sup>-1</sup> )		
Yakıt Deposu Kapasitesi (cm <sup>3</sup> ) (ml)	1,000		
Boş Ağırlık (kg)	8.3	7.7	
Kesme donanımı	Tip / Çap (mm)	Metal bıçak 3Tx305	Metal bıçak 3Tx305
Ses basıncı seviyesi LpA (dB (A))	(ISO 22868) Eşdeğeri Belirsizlik	93.7 0.2	93.7 0.2
Ölçülen ses gücü seviyesi LwA (dB (A))	(ISO 22868 ) Eşdeğeri	104	104
Garanti edilen ses gücü seviyesi LwA (dB (A))	(2000/14/EC) Yüksek Hız	116	116
Titreşim seviyesi (m/s <sup>2</sup> )	(ISO 22867)		
Eşdeğer (Ön / Sol kol)	1.3	2.2	
Eşdeğer (Arka / Sağ kol)	1.1	2.3	
Belirsizlik	1.5	1.5	
Rölanti (Ön / Sol kol)	1.2	2.2	
Rölanti (Arka / Sağ kol)	1.2	2.3	
Yüksek Hız (Ön / Sol kol)	1.3	2.2	
Yüksek Hız (Arka / Sağ kol)	0.9	2.3	

NOT : Eşdeğer gürültü seviyesi / titreşim seviyeleri, şu zaman dağılımına sahip çeşitli çalışma koşullarında gürültü/ titreşim seviyelerine ilişkin zamana göre düzeltilmiş toplam enerji için hesaplanmıştır: 1/2 Boşta, 1/2 çalışırken.

\* Tüm veriler önceden bildirilmeden değiştirilebilir.

# Montaj işlemleri

## Tahrik milinin motora bağlanması (Şekil 1)

Motoru, verilen dört vidayla veya civatayla (1) balata kutusuna (2) monte edin.

## Tutamacın montajı (Şekil 2)

Açık motora bakacak şekilde, tutamacı, tahrik milinin borusuna monte edin.

Çalıştırmadan önce, güç kafasına çok yakın olmamak kaydıyla, konumunu en rahat pozisyona ayarlayın.

## Tutamacın montajı (Şekil 3, 4)

Tutamaç köşebendini (1) takımdan ayırın. (Şekil 3)

Tutamaçları yerleştirin ve tutamaç köşebentlerini dört civatayla hafifçe sıkarak bağlayın.

Uygun konuma ayarlayın. Sonra civataları kuvvetlice sıkarak sabitleyin.

Arka desteği kancadan çıkartın ve borulu durdurma kordonlarını ve gaz telini (1) onunla sarın. (Şekil 4)

## CG40EY (T) için Not (Şekil 5, 6)

Bu modelin tahrik milinin ve motorunun ön montajı fabrikada yapılmıştır. Tüm yapmanız gereken, gaz kolunu tutamaca bir vida ve somun ile monte etmek ve daha sonra tutamaç desteklerine sabitlemektir. Topuz somunu, elinizle güvenli bir şekilde sıkın.

## CG40EJ (T) için tutamaç montajı (Şekil 7, 8)

Tutamaçları yerleştirin ve tutamaç desteğini tutamaç topuzu ile hafifçe tutturun. Uygun pozisyona ayarlayın. Daha sonra tutamaç topuzu ile sıkıca sabitleyin.

Gaz kolunu, tutamaca bir vida ve somun ile monte edin.

## NOT

Muhafaza borusunu, tahrik miline veya tutamaca kordon kelepçelerini kullanarak sabitleyin.

## Gaz teli / durdurma kordonu

Hava temizleyici kapağını çıkarın. (Şekil 9)

Durdurma kordonlarını bağlayın. (Şekil 10)

Gaz telinin ucunu karbüratöre bağlayın. (Şekil 11)

Hava temizleyici kapağına kadar, gaz telini ve durdurma kordonlarını, verilen koruma borusu ile örtün. (Şekil. 12)

## Bıçak mahfazasının takılması (Şekil 13, 14, 15, 16)

## NOT

Bazı modellerde mahfaza desteği dişli kutusuna monte edilmiş olarak gelebilir.

Bıçak muhafazasını, tahrik mili borusuna, açılı dişlinin karşısına monte edin. Bıçak muhafazası, çalışma esnasında sallanmayacak veya aşağı kaymayacak şekilde, muhafaza köşebendini kuvvetli bir şekilde sıkın.

## UYARI

Bazı bıçak mahfazaları keskin çizgi sınırlayıcılarıyla donatılmıştır. Tutarken dikkatli olun.

## NOT (Şekil 14)

Cihazınızda HITACHI alüminyum kafa (CH-100 veya CH-300) kullanırken, alet çantanızda bulunan keskin çizgi sınırlayıcı (2) gösterilen civata (3) kullanılarak bıçak mahfazasına sıkıca tutturulmalıdır.

İki parçalı bıçak mahfazası olan bir kesici kafa kullanırken, mahfaza uzantısını bıçak mahfazasına takın. (Şekil 15)

## NOT

Mahfaza uzantısı bıçak mahfazasına takılırken, keskin çizgi sınırlayıcı (takılmışsa) bıçak mahfazasından çıkarılmalıdır.

## NOT

Cihazınızın tahrik mili borusunun üzerinde mahfaza yer etiketi varsa çizime uyun.

## NOT

Mahfaza uzantısını çıkarmak için, çizimleri inceleyin. Uzantının keskin çizgi sınırlayıcısı olduğu için eldiven takın, daha sonra mahfazanın üzerindeki dört adet kare çıkıntıyı sırayla birer birer itin. (Şekil 16)

## Kesici ağızın monte edilmesi (Şekil 17, 18)

(Bu donanımına sahipse)

Kesici ağız monte ederken, ağızda çatlak veya hasar olmadığından ve kesici kenarların doğru yöne baktığından emin olun.

## NOT

- Bıçak tutucusu kapağını (1) monte ederken, konkav tarafı yukarıya doğru ayarlayın.
- Bıçak tutucusunu (3) kilitlemek için, alyen anahtarını (2) açılı transmisyon deliğine takın. Lütfen, kesici sabitleme civatası veya somununun (4) dişlerinin sola doğru olduğuna (gevşetmek için saat yönünde, sıkılamak için ters saat yönünde döndürüleceğine) dikkat edin.

Sabitleme civatasını veya somununu yıldız anahtarla sıkın.

## NOT

Şayet üniteniz, somun sıkmalı ve emniyet pimi ile donatılmış ise, bıçağın her monte edildiğinde emniyet piminin (5) yenilenmesi gerekir. (Şekil 19).

## UYARI

Çalışmadan önce, bıçağın gereği gibi takılmış olduğundan emin olun.

## UYARI

Cihazınızın kesici ağız altında koruyucu kapakla donatılmışsa, çalışmadan önce kapakta aşınma veya çatlak olup olmadığını kontrol edin. Herhangi bir hasar veya aşınma varsa, değiştirin.

## Brain kesici kafanın monte edilmesi

### NOT

Montaj için Brain kesici kafasıyla birlikte verilen Brain kullanın kılavuzunu inceleyin.

### ⚠ UYARI

**HITACHI Brain kafaları veya HITACHI alaşım kafa için, yalnızca üretici tarafından tavsiye edilen esnek, metalik olmayan seriyi kullanın. Asla tel veya tel halat kullanmayın. Bunlar kopabilir ve tehlikeli uçan parçalara dönüşebilir.**

### NOT

HITACHI alaşım kafa (CH-100) kullanılırken, ilk kesim çizgisi uzunluğu yaklaşık 17 cm olmalıdır. (Şekil 20)

## Çalıştırma

### Yakıt (Şekil 21)

### ⚠ UYARI

- Kesici, iki zamanlı bir motora sahiptir. Motoru daima yağ ile karıştırılmış yakıt ile çalıştırın. Yakıt doldururken ve yakıtı kullanırken daima iyi bir havalandırma sağlayın.
- Yakıt yüksek derecede yanma özelliğine sahip sıvı içerir ve solunması veya vücuda temas etmesi ciddi yaralanmaya sebep olabilir. Yakıtla uğraşırken daima dikkatli olun. Bina içinde yakıtla uğraşırken, havalandırmanın iyi olmasına dikkat edin.

### Yakıt

- Daima 89 oktan kurşunsuz markalı benzin kullanın.
- Orijinal iki zamanlı yağ veya 25:1 ile 50:1 arasında bir karışım kullanın; oran için lütfen yağ şişesine bakın veya HITACHI satıcınıza danışın.
- Orijinal yağ yoksa, hava ile soğutulmuş 2 zamanlı motor kullanımına yönelik ürettiği açıkça ifade edilmiş olan, antioksidan katkılı kaliteli bir yağ kullanın (JASO FC GRADE OIL veya ISO EGC GRADE). BIA veya TCW (2-vuruşlu su soğutmalı tip) karışimli yağ kullanmayın.
- Kesinlikle çok mevsimli yağ (10 W/30) ya da atık yağ kullanmayın.
- Daima yakıtı ve yağı ayrı ve temiz bir kaptan karıştırın.

Daima kullanılacak olan yakıtın yarısını doldurarak başlayın, daha sonra yağın tamamını ekleyin. Yakıt karışımını çalkalayın. Kalan benzin miktarını ekleyin.

Depoya doldurmadan önce yakıt karışımını iyice çalkalayın.

### Yakıt doldurma

### ⚠ UYARI

- Yakıt doldurmadan önce motoru kapatın.
- Olası bir aşırı basıncın giderilmesi için, yakıt doldurma sırasında yakıt deposunu yavaşça açın.
- Yakıt doldurduktan sonra yakıt kapağını dikkatli bir şekilde kapatın.

- Çalıştırmadan önce, kesiciyi yakıt doldurma alanının en az 3 metre dışına çıkarın.
- Gıysilere dökülen yakıtı derhal sabunlu suyla yıkayarak temizleyin.
- Yakıtı doldurduktan sonra, herhangi bir yakıt kaçağı olup olmadığını mutlaka kontrol edin.

Yakıtı doldurmadan önce, depo kapağı alanını dikkatlice temizleyin ve depoya herhangi bir pislik düşmediğinden emin olun. Yakıtı doldurmadan önce, kabı sallayarak yakıtı iyice karıştırın.

### Çalıştırma (Şekil 22, 23, 24, 25)

### UYARI

Başlamadan önce, kesme donanımının hiçbir şeye dokunmadığından emin olun.

1. Kontak anahtarını (1) ON (açık) konumuna getirin. (Şekil 22, 23)  
\* El pompasını (4), dönüş borusundan (5) yakıt akana kadar bir kaç kez pompalayın. (Şayet varsa) (Şekil 24).
2. Gaz tetiği kilidi (2) basılı konumda iken (varsa), gaz tetiğini çekin ve gaz kilidini itin (3), daha sonra yavaşça gaz tetiğini serbest bırakın ve sonrasında gaz tetiği kilidini serbest bırakın. Böylece gaz, başlangıçtaki konumuna kilitletir. (Şekil 22, 23)
3. Jikle kolunu CLOSED (kapalı) konuma (4) getirin. (Şekil 25)
4. Kolu iyice tuttuğunuzdan emin olarak ve geriye fırlamamasını sağlayarak marş düzeneğinin kolunu hızlıca çekin.
5. Motorun çalışacak şekilde geldiğini anladığınızda, jikle kolunu RUN (çalıştırma) konumuna getirin (açık). Daha sonra marş düzeneğini hızla tekrar çekin.

### NOT

Eğer motor çalışmazsa, 2 ila 5 işlemlerini tekrarlayın.

6. Motoru çalıştırdıktan sonra, gaz kilidini serbest bırakmak için gaz tetiğini çekin. Daha sonra, herhangi bir işlem yapmadan yaklaşık 2-3 dakika motorun ısınmasını bekleyin.

### Kesme (Şekil. 26, 27, 28, 29)

- Kesim yapılırken motoru 6500 dev/dak'ın üzerinde çalıştırın. Düşük devirde uzun süreli kullanım kavramanın zamanından önce aşınmasına sebep olabilir.
- Çimleri sağdan sola doğru kesin.
- Hızla dönen bıçak, kritik alanda katı bir cisimle temas ettiğinde bıçak geri itilebilir. Bütün ünitenin ve operatörün şiddetli bir şekilde geri itilmesine sebep olan tehlikeli bir reaksiyon meydana gelebilir. Bu reaksiyona bıçağın geri itilmesi denilir. Sonuç olarak operatör ünitenin kontrolünü kaybedebilir, bu durum ciddi veya ölümcül yaralanmaya sebep olabilir. Kesilecek olan malzemeyi görmenin zor olduğu alanlarda bıçağın geri itilme ihtimali daha fazladır.
- Kayış şeklinde gösterildiği gibi takın (bu donanıma sahipse). Bıçak saat yönünün tersine döner, bu sebeple verimli kesim yapabilmek için cihazınızı sağdan sola doğru kullanmanız tavsiye edilir. Seyircileri çalışma alanının en az 15 metre dışında tutun.

## NOT

Acil durumlarda hızlı bırakma butonuna basın veya acil durum serbest bırakma kavatçığını çekin (bu donanıma sahipse).  
(Şekil 28)

### UYARI

**Kesme donanımı taşa veya başka bir cisme çarparsa, motoru durdurun ve donanım ve ilgili parçaların hasar görmediğinden emin olun. Donanımın çevresine çimen veya sarmaşıklar dolanırsa motoru ve donanımı durdurun ve bunları temizleyin.**

### Durdurma (Şekil 30)

Motor hızını düşürün, birkaç dakika süreyle rölantide çalıştırın ve daha sonra kontak anahtarını kapatın.

### UYARI

**Motor durdurulduktan veya güç kontrolü serbest bırakıldıktan sonra dönmeye devam eden kesme donanımları yaralanmaya neden olabilir. Makineyi durdurduğunuzda, kesme donanımının makine yere bırakılmadan önce durmuş olması gereklidir.**

## Bakım

**EMİSYON KONTROL CİHAZLARININ VE SİSTEMLERİNİN BAKIMI, YENİLENMESİ VEYA ONARIMI, HERHANGİ BİR KARAYOLU HARİCİ MOTOR ONARIM KURUMU YA DA KİŞİSİ TARAFINDAN GERÇEKLEŞTİRİLEBİLİR.**

### Karbüratörün ayarlanması (Şekil 31)

### UYARI

**Karbüratör ayarlamaları esnasında kesme aksesuarı dönebilir.**

### UYARI

**Motoru komple kavrama kapağı ve boru monte edilmeden asla çalıştırmayın! Aksi takdirde, kavrama gevşeyebilir ve yaralanmanıza neden olabilir.**

Karbüratörde yakıt hava ile karışır. Motor fabrikada test amaçlı çalıştırılırken karbüratörün temel ayarı yapılır. Ancak iklime ve rakıma göre ilave bir ayar yapılması gerekebilir. Karbüratör, bir ayarlama imkanına sahiptir:

**T = Rölanti hızı ayar vidası.**

### Rölanti hızı ayarı (T)

Hava fi İtesinin temiz olup olmadığını kontrol edin. Rölanti hızı doğru ise kesme parçası dönmeyecektir. Ayar gerekiyorsa, motor çalışırken kesme parçası dönmeye başlayıncaya kadar T-vidasını (saat yönünde) çevirerek sıkın. Vıdayı, kesme parçası duruncaya kadar (ters saat yönünde) çevirin. Kesme parçası dönmeye başladığında, motor devir hızının altında tüm konumlarla rahatça çalışıyorsa, doğru rölanti hızına ulaştığınız demektir.

Eğer rölanti hızı ayarından sonra kesme parçası dönmeye devam ediyorsa, HITACHI satıcınızla irtibata geçin.

## NOT

Standart Rölanti devri/ 2500~3000 devir/dakika'dır.

## NOT

Katı egzoz emisyonu denetlemesine tabi kimi bölgelerde satılan modellerden bazılarında yüksek ve düşük hız karbüratör ayarları bulunmamaktadır. Bu tür ayarlar motorun kendi emisyon uyumluluk sınırları dışında çalışmasını sağlayabilir. Bu modeller için tek karbüratör ayarı rölanti hızıdır.

Düşük ve yüksek hız ayarlarıyla donatılan bazı modeller için karbüratörler fabrikada ayarlanır. Küçük ayarlamalar iklim, rakım vs'ye dayanan performansı en iyi hale getirebilir. Yanlış ayarlamadan dolayı motor hasarı meydana gelebileceği için ayar vidalarını asla 90 dereceden büyük aralıklarla çevirmeyin. Bu tip ayarlamaları iyi bilmiyorsanız HITACHI satıcınızdan yardım isteyin.

### UYARI

**Motor rölantideyken, kesme parçası kesinlikle dönmemelidir**

### Hava filtresi (Şekil 32)

Hava filtresi aşağıdaki durumlara meydan vermemek için toz ve kirden arındırılmalıdır:

- Karbüratör arzası
- Çalıştırma problemleri
- Motor gücünün düşmesi
- Motor parçalarının gereksiz yere aşınması
- Anormal yakıt tüketimi

Özellikle tozlu bir bölgede çalışıyorsanız, hava filtresini her gün ya da günde birkaç kez temizleyin.

### Hava filtresinin temizlenmesi

Hava filtresi kılıfını ve filtreyi (1) çıkarın. İlık sabunlu suyla yıkayın. Tekrar takmadan önce filtresinin kuru olduğundan emin olun. Bir süre kullanılan hava filtresi tamamen temizlenemez. Bu nedenle, düzenli olarak yenisiyle değiştirilmelidir. Hasar gören filtre mutlaka değiştirilmelidir.

### Yakıt filtresi (Şekil 33)

Yakıt deposundaki bütün yakıtı boşaltın ve yakıt filtre hıttını depodan çekin. Filtre elemanı tertibattan çekip çıkarın ve elemanı deterjanlı ılık suda yıkayın. Deterjan tamamen temizleninceye kadar iyice durulayın. Burmadan sıkarak fazla suyu giderin ve elemanın havanın etkisiyle kurumasını bekleyin.

## NOT

Eleman aşırı kir birikmesinden dolayı sertleşmişse, değiştirin.

### Buji (Şekil 34)

Buji aşağıdakiler nedeniyle zarar görebilir:

- Yanlış karbüratör ayarı
- Yanlış yakıt karışımı (benzine fazla yağ katılması)
- Kirlili bir hava filtresi
- Sert çalışma koşulları (örneğin, soğuk hava)

Bu faktörler buji elektrotlarında birikintiler oluşmasına ve dolayısıyla arızaya ve çalıştırma zorluklarına neden olabilir. Motorun gücü zayıfsa, başlatılması zorlaşmışsa ya da rölantide zayıf bir şekilde çalışıyorsa, öncelikle bujiyi kontrol edin. Buji kirlili ise temizleyin ve elektrot tırnak açıklığını kontrol edin. Gerekirse yeniden ayarlayın. Doğru boşluk 0,6 mm'dir. Buji 100 çalışma saatinden sonra ya da elektrotlar aşınmışsa daha erken bir zamanda yenisi ile değiştirilmelidir.

### NOT

Bazı bölgelerdeki kanunlar, ateşlemenin kontrol edilmesi için dirençli buji kullanılmasını gerektirmektedir. Makinenizde dirençli buji varsa, eskleyen bujiyi yine aynı tipte buji ile değiştirin.

### Açı transmisyonu (Şekil 35)

Açı transmisyonu tarafındaki gres doldurma tapasını çıkarmak suretiyle yaklaşık 50 çalışma saatinde bir açı transmisyonunu veya konik dişliyi gres seviyesi bakımından kontrol edin.

Dişlilerin dış yanlarında gres görülüyorsa, transmisyonu 3/4'e kadar kaliteli lityum bazlı çok amaçlı gresle doldurun. Transmisyonu tamamen doldurmayın.

### Bıçak (Şekil 16)

#### UYARI

**Bıçağı tutarken veya bakımını yaparken iş eldiveni takın.**

- Keskin bir bıçak kullanın. Kır bıçakların takılma ve itme ihtimali daha fazladır. Hasarlı ve sıkılması zor ise sabitleme somununu değiştirin.
- Bıçak değiştirirken, HITACHI tarafından tavsiye edilen, 25,4 mm (bir inç) takma delikli bir bıçak satın alın.
- Testere laması (2), monte ederken daima markalı tarafı yukarıya getirin. 4 dişli bıçaklar (1) için, her iki taraf ta kullanılabilir.
- Yapılacak iş için doğru bıçağı kullanın.
- Bıçakları değiştirirken, uygun aletler kullanın.
- Kesici kenarlar körelendiğinde çizimde gösterildiği gibi yeniden bileyin veya eğeleyin. Yanlış bileme aşırı titreşime sebep olabilir.
- Bükülen, çarpılan, çatlayan, kırılan veya başka bir şekilde hasar gören bıçakları atın.

### NOT

Bıçak bilenirken, çatlamaların önlenmesi için dışın tabanında orijinal yarıçap şeklinin sürdürülmesi önemlidir.

### Bakım programı

Aşağıda bazı temel bakım talimatları bulacaksınız. Daha fazla bilgi için, lütfen HITACHI satıcınızla irtibata geçin.

### Günlük Bakım

- Makinenin dış yüzeyini temizleyin.
- Kayışın hasarsız olup olmadığını kontrol edin.
- Bıçak mahfazasını hasar veya çatlak olup olmadığını görmek için kontrol edin. Darbe veya çatlak olması halinde mahfazayı değiştirin.
- Kesme donanımının uygun bir şekilde ortalanmış, keskin, çatlaksız olup olmadığını kontrol edin. Dengesiz kesme donanımları, makineye hasar verebilecek ağır titreşimlere sebep olur.
- Kesme donanımı somununun yeterince sıkıştırılıp sıkıştırılmadığını kontrol edin.
- Zincirin taşıma emniyetinin hasar görmediğinden ve emniyetli şekilde takılabildiğinden emin olun.
- Somunların ve vidaların yeterince sıkıldıklarından emin olun.

### Haftalık bakım

- Marş motorunu, özellikle kordonu kontrol edin.
- Bujinin dış kısmını temizleyin.
- Bujiyi çıkarın ve elektrot tırnak açıklığını kontrol edin. Tırnak açıklığını 0,6 mm'ye ayarlayın veya bujiyi değiştirin.
- Marş motoruna hava girişinin tıkalı olup olmadığını kontrol edin.
- Açı dişlisinin 3/4'üne kadar gres ile dolu olmasını kontrol edin.
- Hava filtresini değiştirin.

### Aylık bakım

- Yakıt deposunu benzine çalkalayın ve yakıt filtresini temizleyin.
- Karbüratörün dış kısmını ve etrafını temizleyin.









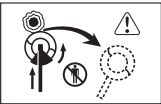


### 3 aylık bakım

- Silindir üzerindeki soğutma kanatlarını temizleyin.
- Fanı ve etrafındaki alanı temizleyin.
- Karbon susturucuyu temizleyin.

### UYARI

Silindir kanatlarının, fanın ve susturucunun temizliği, yetkili bir HITACHI Servis Merkezi tarafından yapılmalıdır.

**Sensul simbolurilor****NOTĂ** : Unele unități nu le prezintă.

	<p><b>Simboluri</b>   <b>AVERTISMENT</b>          În cele ce urmează sunt prezentate simbolurile folosite pentru mașină. Înainte de utilizare, asigurați-vă că înțelegeți semnificația acestora.</p>		
	<p>Este foarte important să citiți, să înțelegeți pe deplin și să respectați următoarele măsuri de precauție și avertismente. Utilizarea neglijentă sau improprie a dispozitivului poate cauza răni grave sau fatale.</p>		<p>Respectați viteza maximă a arborelui. Nu utilizați un dispozitiv de tăiere a cărui rpm max. este sub rpm arborelui.</p>
	<p>Citiți, conștientizați și respectați toate avertismentele și instrucțiunile din acest manual și de pe dispozitiv.</p>		<p>Purtați mănuși acolo unde este necesar, de ex., la dispozitivul de tăiere.</p>
	<p>Purtați întotdeauna echipament de protecție a ochilor, capului și urechilor, atunci când folosiți dispozitivul.</p>		<p>Purtați încălțăminte robustă și antiderapantă.</p>
	<p>Nu utilizați lame metalice/rigide când semnul acestora se află pe aparat.</p>		<p>Se poate produce rănirea prin tăiere, dacă lama de filare întâlnește un obiect solid în zona de lucru. Se poate produce o reacție periculoasă care poate provoca deteriorarea aparatului și rănirea gravă a operatorului. Această reacție este denumită tăietură de sabie. Ca urmare, operatorul poate pierde controlul aparatului care poate răni grav sau fatal. Probabilitatea de producere a tăieturilor de sabie este mai mare în zonele în care masa de tăiat este greu de văzut.</p>
	<p>Păstrați copii, privitorii și ajutoarele la o distanță de 15 m de aparat. Dacă o persoană se apropie de dvs., opriți imediat motorul și dispozitivul de tăiere.</p>		
	<p>Fiți atent la obiectele instabile.</p>		
<p><b>Înainte de a utiliza mașina</b></p> <ul style="list-style-type: none"> <li>• Citiți cu atenție manualul.</li> <li>• Verificați dacă dispozitivul de tăiere este asamblat și reglat corect.</li> <li>• Porniți și verificați reglajul carburatorului. Vezi "ÎNȚREȚINERE".</li> </ul>			

**Cuprins**

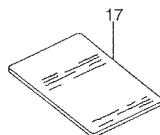
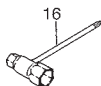
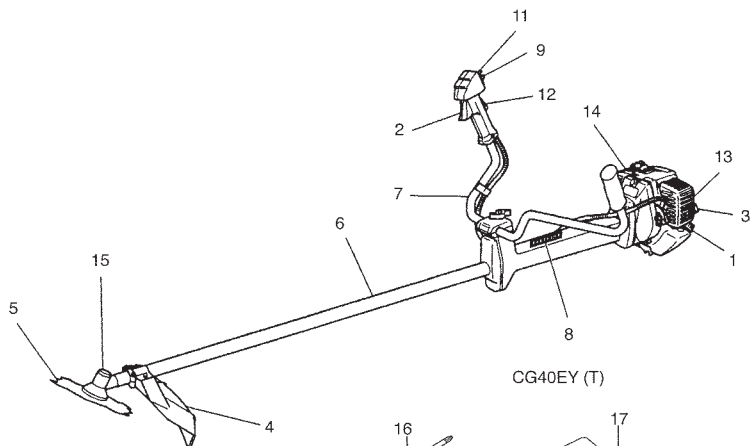
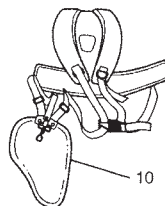
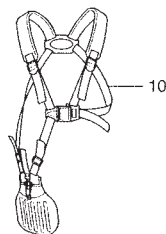
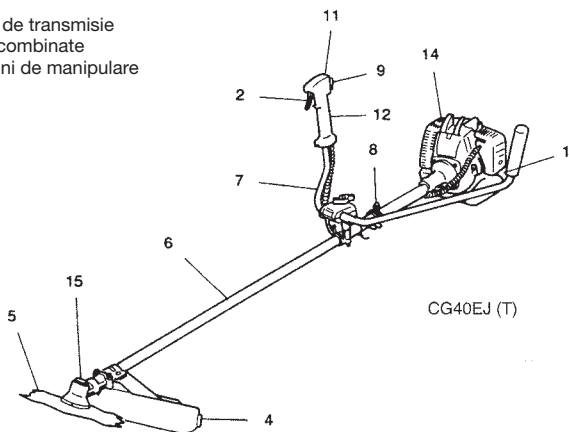
Ce și ce este.....	2
Avertismente și instrucțiuni de siguranță .....	3
Specificatii .....	4
Proceduri de asamblare .....	5
Proceduri de operare.....	6
Întreținere .....	7



## Ce și ce este

Întrucât prezentul manual acoperă mai multe modele, pot exista unele diferențe între fotografi e și aparatul dumneavoastră. Utilizați instrucțiunile care sunt aplicabile aparatului dumneavoastră.

1. Bușonul rezervorului de carburant
2. Maneta de accelerație
3. Demaror
4. Apărătoare
5. Dispozitiv de tăiere
6. Tijă de transmisie
7. Mîner
8. Carabina pentru atașarea hamului
9. Comutator de aprindere
10. Ham
11. Dispozitiv de blocare a clapetei
12. Dispozitiv de blocare a manetei de accelerație
13. Mîner de șoc
14. Motor
15. Angrenaj de transmisie
16. Set chei combinate
17. Instrucțiuni de manipulare



# Avertismente și instrucțiuni de siguranță

## Siguranța operatorului

- Purtați întotdeauna mască de protecție sau ochelari de protecție.
- Purtați întotdeauna pantalonii lungi, strâmți, ghete și mănuși.  
Nu purtați haine largi, bijuterii, pantalonii scurți, sandale sau nu lucrați desculți. Asigurați-vă că aveți părul strâns astfel încât să nu vă depășească umerii.
- Nu folosiți acest aparat când sunteți obosit, bolnav sau vă aflați sub influența alcoolului, a drogurilor sau medicamentelor.
- Nu lăsați aparatul la îndemâna copiilor sau a persoanelor fără experiență.
- Purtați căști de protecție antifonică. Fiți atenți la lucrurile din jur. Fiți atenți la orice persoană din preajmă, care v-ar putea atenționa asupra unei probleme. Dezbrăcați echipamentul de protecție imediat după oprirea motorului.
- Purtați echipament de protecție pentru cap.
- Nu porniți și nu mențineți în funcțiune motorul în spațiul închis al unei camere sau clădiri. Inhalarea gazelor de eșapament poate ucide.
- Asigurați-vă că minerele nu prezintă urme de ulei sau de carburant.
- Aveți grijă să țineți mâinile departe de dispozitivul de tăiere.
- Nu apucați și nu țineți unitatea de dispozitivul de tăiere al acestuia.
- După ce ați deconectat aparatul, înainte de a o depune, asigurați-vă că dispozitivul de tăiere s-a oprit, înainte de a depune dispozitivul.
- Dacă perioada de exploatare se prelungește, faceți pauză la anumite intervale, pentru a evita sindromul de tremur al mâinii și brațului (STMB), cauzat de vibrații.

## ⚠️ AVERTISMENT

**Sistemele antivibrații nu garantează că nu veți suferi de sindromul de tremur al mâinii și brațului sau sindromul canalului carpian. Din acest motiv, cei care folosesc frecvent sau în mod regulat aparatul, își vor supraveghea îndeaproape starea minilor și a degetelor. În cazul apariției oricărui simptom menționat mai sus, adresați-vă urgent medicului.**

## ⚠️ AVERTISMENT

**Dacă folosiți un dispozitiv medical electric / electronic ca de exemplu, un pacemaker, consultați-vă medicul și, de asemenea, producătorul dispozitivului înainte de a folosi orice echipament electric.**

## Siguranța unității/aparatului

- Înaintea fiecărei utilizări, verificați integral dispozitivul/aparatul.
- Înlocuiți piesele afectate. Verificați dacă nu există scurgeri de carburant și asigurați-vă că toate elementele de fixare sînt în bună ordine și strînse corespunzător.
- Înlocuiți piesele fisurate, ciobite sau deteriorate în orice fel, înainte de a folosi dispozitivul/aparatul.
- Asigurați-vă că apărătoarea de protecție este atașată corespunzător.
- Stați departe de ceilalți, cînd reglați carburatorul.
- Folosiți numai accesoriile recomandate de fabricant pentru acest dispozitiv/aparat.

## ⚠️ AVERTISMENT

**Nu modificați cați niciodată, în niciun fel, dispozitivul/aparatul. Nu folosiți dispozitivul/aparatul pentru alte operațiuni decît cele pentru care este destinat.**

## Siguranța carburantului

- Amestecați și turnați carburantul în spațiu liber, ferit de soare sau flacără deschisă.
- Folosiți un rezervor aprobat pentru carburant.
- Nu fumați și nu permiteți fumatul în apropierea carburantului sau de dispozitiv/aparat.
- Ștergeți toate picăturile de carburant înainte de a porni motorul.
- Îndepărtați-vă la cel puțin 3 m de locul de alimentare cu carburant înainte de a porni motorul.
- Opriti motorul înainte de a înlătura capacul rezervorului de carburant.
- Goliți rezervorul de carburant înainte de a depozita dispozitivul/aparatul. Se recomandă golirea de carburant după fiecare utilizare. Dacă se lasă carburant în rezervor, depozitați aparatul în așa fel încît carburantul să nu curgă.
- Depozitați dispozitivul/aparatul și carburantul în locuri în care vaporii de carburant nu pot intra în contact cu scînteii sau fi încălzi deschise de la dispozitive de încălzire a apei, motoare electrice, comutatoare sau cupatoare etc.

## ⚠️ AVERTISMENT

**Carburantul poate lua foc sau exploda sau fi inhalat foarte ușor, din care motiv fiți foarte atenți la manevrarea sau alimentarea carburant.**

## Siguranța tăierii

- Nu tăiați alte materiale în afară de iarbă și buruieni.
- Înaintea fiecărei utilizări verificați cați zona care urmează a fi tăiată. Îndepărtați obiectele care pot să cadă sau agăța.
- Pentru protecția căilor respiratorii, purtați mască de protecție cu aerosoli, dacă iarbă de cosit a fost tratată cu insecticid.
- Nu permiteți copiilor, animalelor, privitorilor și ajutoarelor să depășească zona de protecție de 15 m. Opriteți imediat motorul, dacă cineva se apropie de Dumneavoastră.
- Țineți întotdeauna motorul în partea dreaptă a trupului dumneavoastră.
- Țineți puternic dispozitivul/aparatul cu ambele mâini.
- Fixați-vă bine pe picioare și controlați-vă echilibrul. Nu vă întindeți.
- Pe durata funcționării motorului, mențineți-vă toate părțile corpului departe de toabă și de dispozitivul de tăiere.
- Mențineți dispozitivul de tăiere sub nivelul tăiei.
- La schimbarea zonei de lucru, asigurați-vă că ați oprit aparatul și verificați cați dacă toate dispozitivele de tăiere sînt oprite.
- Nu puneți niciodată jos aparatul aflat în funcțiune.
- Asigurați-vă întotdeauna că motorul este oprit și toate dispozitivele de tăiere s-au oprit total, înainte de a arunca rumeșul sau iarbă de pe dispozitivul de tăiere.
- Purtați întotdeauna o trusă de prim-ajutor, cînd lucrați cu un echipament electric.
- Nu porniți și nu folosiți niciodată motorul în spațiu închis sau clădire și/sau în apropierea unor lichide inflamabile. Inhalarea gazelor de eșapament poate ucide.

## Siguranța mentenanței

- Intretineți dispozitivul/aparatul conform procedurilor recomandate.
- Deconectați bujia înainte de a efectua operațiunile de întreținere, exceptând reglarea carburatorului.
- Stați departe de ceilalți, cînd reglați carburatorul.
- Folosiți numai piese originale HITACHI conform recomandărilor producătorului.

## ATENȚIE

Nu dezasamblați butonul de pronire recul. Riscați să fiți rănit de arcul de recul.

## Transport și depozitare

- Transportați unitatea/aparatul în mînă, cu motorul oprit și toba îndepărtată de corp.
- Permiteți motorului să se răcească, goliți rezervorul de carburant și securizați unitatea/aparatul înainte de a-l depozita sau a-l transporta într-un vehicul.
- Goliți rezervorul de carburant înainte de a depozita dispozitivul/aparatul. Se recomandă golirea de carburant după fiecare utilizare. Dacă se lasă carburant în rezervor, depozitați aparatul în așa fel încît carburantul să nu curgă.
- Depozitați unitatea/aparatul astfel încît să nu se afl e la îndemîna copiilor.
- Curățați și păstrați atent unitatea și depozitați-o într-un spațiu uscat.
- Verificați cați dacă comutatorul motorului este închis pe durata transportului sau a depozitării.
- Înainte de transport, acoperiți lama cu capacul de protecție.

Dacă apar situații neprevăzute în manualul de față, conduceți-vă de bunul simț. Contactați distribuitorul HITACHI dacă aveți nevoie de asistență. Acordați o atenție deosebită pasajelor precedate de următoarele cuvinte:

## ⚠️ AVERTISMENT

**Indică o posibilitate sporită de leziuni grave sau pierderea vieții, dacă nu sînt urmate instrucțiunile.**

## ATENȚIE

Indică o posibilitate sporită de leziuni grave personale sau avarieri ale echipamentului, dacă nu sînt urmate instrucțiunile.

## NOTĂ

Informații utile pentru funcționare și utilizare corectă.

## Specificatii

MODEL		CG40EY (T)	CG40EJ (T)
Motor			
Cilindree (cm <sup>3</sup> ) (ml)		39.8	
Bujie		NGK BPM6A sau echivalent	
Viteză la ralenti (min <sup>-1</sup> )		2,800	
Viteza maximă recomandată (min <sup>-1</sup> )		11,000	
Turația arborelui de ieșire (min <sup>-1</sup> )		8,300	
Randament maxim motor (kW)		1.31 (@7000 min <sup>-1</sup> )	
Capacitatea rezervorului de carburant (cm <sup>3</sup> ) (ml)		1,000	
Greutate netă (kg)		8.3	7.7
Dispozitiv de tăiere		Tip/ Diam. (mm)	Lamă metalică 3Tx305
		Lamă metalică 3Tx305	Lamă metalică 3Tx305
Nivel presiune sunet LpA (dB (A))		(ISO 22868) Echivalent Incertitudine	93.7 0.2
			93.7 0.2
LwA nivel de putere acustică măsurată (dB (A))		(ISO 22868 ) Echivalent	104
			104
LwA nivel de putere acustică garantată (dB (A))		(2000/14/EC) Funcționare	116
			116
Nivel vibrații (m/s <sup>2</sup> )		(ISO 22867)	
Echivalent (Față / mâner stânga)		1.3	2.2
Echivalent (Spate / mâner dreapta)		1.1	2.3
Incertitudine		1.5	1.5
Mers în gol (Față / mâner stânga)		1.2	2.2
Mers în gol (Spate / mâner dreapta)		1.2	2.3
Funcționare (Față / mâner stânga)		1.3	2.2
Funcționare (Spate / mâner dreapta)		0.9	2.3

NOTĂ: Nivelul de zgomot/nivelul de vibrații echivalent se calculează ca totalul energiei medii ponderate în timp a nivelurilor de zgomot/vibrații, în diverse condiții de lucru, cu următoarea distribuție temporală: 1/2 în gol, 1/2 ambalat.

\* Toate datele pot fi modificate fără preaviz.

# Proceduri de asamblare

## Arborele de antrenare cu motorul (Fig. 1)

Atașați motorul la carcasa cuplajului (ambreiajului) (2) cu cele patru șuruburi sau bolțuri (1) livrate.

## Instalarea mânerului (Fig. 2)

Atașați mânerul la tubul arborelui de antrenare cu unghiul spre motor.

Înainte de operare ajustați prinderea pentru cea mai confortabilă poziție, dar nu prea aproape de modulul de forță.

## Instalarea mânerului (Fig. 3, 4)

Îndepărtați suportul mânerului (1) din ansamblu. (Fig. 3)

Amplasați mânerul și atașați suportul mânerului prinzând ușor cele patru bolțuri. Ajustați până în poziția corespunzătoare. Apoi fixați strâns cu bolțurile.

Desfaceți suportul pentru șold și înfășurați cablurile de oprire și cablul de accelerație (1) cu el. (Fig. 4)

## NOTĂ pentru CG40EY (T) (Fig. 5, 6)

Arborele de antrenare și motorul acestui model sunt preasamblate din fabrică. Nu vă mai rămână de făcut decât să atașați maneta accelerației pe mâner cu un șurub și o piuliță, și apoi să-l instalați pe suportul mânerului. Strângeți bine cu mâna piulița.

## Instalarea mânerului pentru CG40EJ (T) (Fig. 7, 8)

Amplasați mânerul și atașați suportul mânerului prinzând ușor piulița. Ajustați corespunzător poziția. Apoi fixați strâns cu piulița.

Atașați maneta accelerației pe mâner cu un șurub și o piuliță.

## NOTĂ

Fixați tubul de protecție pe arborele de antrenare sau mâner utilizând bride pentru cordoane.

## Cablul de accelerație / cablul de oprire

Îndepărtați capacul epuratorului pt. aer. (Fig. 9)

Conectați cablurile de oprire. (Fig. 10)

Conectați capătul cablului de accelerație la carburator. (Fig. 11)

Acoperiți împreună cablul de accelerație și cablurile de oprire cu tubul de protecție și livrat, până la capacul epuratorului pentru aer. (Fig. 12)

## Montarea apărătoarei lamei (Fig. 13, 14, 15, 16)

## NOTĂ

La anumite modele, suportul apărătoarei poate fi montat pe cutia de angrenare.

Instalați garda de protecție a lamei pe tubul arborelui de antrenare opus cuplajului conic. Strângeți ferm suportul gărzii de protecție în așa fel încât garda de protecție a lamei să nu se balanseze sau să se deplaseze în timpul funcționării.

## ATENȚIE

Unele apărătoari sunt echipate cu limitatoare pentru linia de ascuțire. Manipulați-le cu atenție.

## NOTĂ (Fig. 14)

Cînd utilizați capul de aluminiu (CH-100 sau CH-300) pe aparatul dvs., limitatorul liniei de ascuțire, (2) inclus în trusa de scule, trebuie potrivit exact la apărătoarea folosind îmbinarea arătată (3).

La folosirea unor foarfeci care au apărătoarea de lamă de tip două piese, atașați extensia apărătoarei la apărătoarea lamei. (Fig. 15)

## NOTĂ

La atașarea extensiei la apărătoare, limitatorul liniei de tăiere trebuie demontat de pe apărătoare (dacă este montat).

## NOTĂ

Dacă aparatul dvs. are apărătoarea poziționată pe tija de transmisie, respectați recomandarea.

## NOTĂ

Pentru a îndepărta extensia apărătoarei, consultați desenele. Purtați mănuși dacă extensia are limitator de linie de tăiere, împingeți cele patru taburi pătrate în apărătoare, în ordine, unul câte unul. (Fig. 16)

## Montarea lamei de tăiere (Fig. 17, 18)

(dacă este echipat)

La montarea lamei de tăiere, asigurați-vă că aceasta nu este fisurată sau deteriorată și că muchia este orientată în direcția corectă.

## NOTĂ

- La montarea capacului de port-cuțit (1), asigurați-vă că acesta a fost poziționat cu partea concavă în sus.
- Introduceți cheia hexagonală (2) în orificiul angrenajului de transmisie pentru a bloca port-cuțitul (3). Vă rugăm să rețineți că șurubul sau piulița de fixare a cuțitului (4) are filetaj pe stînga, (în sensul acelor de ceasornic pentru slăbire/sens invers acelor de ceasornic pentru strîngere). Strângeți șurubul sau piulița de fixare cu cheia poligonală.

## NOTĂ

Dacă utilajul dv. este un model cu piuliță de securizare și e echipat cu un splint, lama trebuie să fie reținută cu un splint (5) nou la fiecare instalare. (Fig. 19)

## ATENȚIE

Înainte de a pune aparatul în funcțiune, asigurați-vă că lama a fost corect montată.

## ATENȚIE

Dacă aparatul dumneavoastră este echipat cu capac de protecție sub lama de tăiere, înainte de a-l pune în funcțiune, verificați dacă acesta nu este uzat sau fisurat. Dacă este deteriorat sau uzat, înlocuiți-l întrucît este un articol de consum.

## Montarea capului de tăiere Brain

### NOTĂ

Pentru montare, consultați manualul Brain Owner, furnizat împreună cu capul de tăiere Brain.

### ⚠ AVERTISMENT

Pentru capetele HITACHI Brain sau capul din oțel HITACHI, utilizați numai linia flexibilă, nemetalică recomandată de producător. Nu utilizați niciodată șirme sau cabluri de oțel. Acestea se pot rupe și se pot transforma în proiectile periculoase.

### NOTĂ

Cînd utilizați capul din oțel aliat HITACHI (CH-100), lungimea inițială a fiecărei linii de tăiere trebuie să fie de 17 cm. (Fig. 20)

## Proceduri de operare

### Carburant (Fig. 21)

### ⚠ AVERTISMENT

- **Foarfecele de grădină sunt echipate cu un motor în doi timpi. Întotdeauna puneți în funcțiune motorul cu carburant în care s-a amestecat ulei.**
- **Asigurați o bună ventilare, la alimentarea cu carburant sau cînd manipulați carburantul.**
- **Combustibilul este extrem de inflamabil și e posibilă producerea unor grave leziuni ca urmare a inhalării sau a vîrsării pe corp. Întotdeauna manevrați cu atenție combustibilul. Asigurați o bună ventilare întotdeauna cînd manevrați cu combustibilul în interiorul unei clădiri.**

### Carburant

- Folosiți întotdeauna carburant cu cifra octanică 89 fără plumb.
- Folosiți ulei original pentru motoare în doi timpi sau folosiți un amestec între 25:1 până la 50:1, pentru proporție consultați, vă rog, recipientul cu ulei sau un distribuitorul HITACHI.
- Dacă nu dispuneți de ulei original, folosiți un ulei de calitate cu aditivi antioxidanți recomandat pentru folosire la motoare în 2 timpi cu răcire pe aer (JASO FC GRADE OIL sau ISO EGC GRADE). Nu folosiți uleiurile amestecate BIA sau TCW (tipul cu doi timpi, răcire cu apă).
- Nu folosiți niciodată ulei multigrad (10 W/30) sau ulei rezidual.
- Întotdeauna amestecați carburantul și uleiul într-un container curat separat.

Începeți întotdeauna prin a umple cu jumătate din cantitatea totală de carburant care urmează să fie folosit, apoi adăugați toată cantitatea de ulei. Amestecați mixtura de carburant. Adăugați cantitatea rămasă de carburant.

Amestecați temeinic mixtura de carburant înainte de umplerea rezervorului de carburant.

### Alimentarea cu carburant

### ⚠ AVERTISMENT

- **Înainte de realimentare, opriți întotdeauna motorul.**
- **Cînd rezervorul de carburant este plin, deschideți încet rezervorul de carburant, pentru a se elimina posibilă suprapresiune.**

- **Stringeți cu atenție capacul rezervorului, după alimentarea cu carburant.**
- **Înainte de a pune în funcțiune coasa, îndepărtați-vă cu cel puțin 3 m de zona de alimentare cu carburant.**
- **Întotdeauna spălați orice combustibil vîrsat peste haine, imediat și folosind săpun.**
- **Asigurați-vă că nu există scurgeri de combustibil după realimentare.**

Înainte de realimentare, curățați zona capacului rezervorului de carburant, pentru a vă asigura că în rezervor nu pătrund impurități (gunoaie). Înainte de a alimenta cu carburant, scuturați recipientul pentru a asigura o bună amestecare a carburantului.

### Demarare (Fig. 22, 23, 24, 25)

### ATENȚIE

Înainte de a începe cositul, asigurați-vă că dispozitivul de tăiere nu atinge nimic.

1. Setă comutatorul de igniție (1) în poziția ON (deschis). (Fig. 22, 23)
- \* Apăsați de mai multe ori para (4) pentru injecția de carburant pentru pornire așa încât să curgă carburant prin conducta de retur (5) (dacă există în dotarea mașinii) (Fig. 24)
2. Cu dispozitivul de blocare a manetei de accelerație (2) apăsat (dacă există în dotarea mașinii), trageți maneta de accelerație și apăsați pe butonul de blocare a accelerației (3), apoi eliberați lent mai întâi maneta de accelerație, apoi dispozitivul de blocare a manetei de accelerație. Acest fapt va bloca accelerația în poziția de pornire. (Fig. 22, 23)
3. Setăți mînerul de șoc pe poziția CLOSED (închis) (4). (Fig. 25)
4. Trageți iute starterul de recul, avînd grijă să țineți mînerul în strînssoarea Dumneavoastră și nepermițîndu-i să sară înapoi.
5. Cînd auziți că motorul vrea să pornească, întoarceți mînerul de șoc în poziția RUN (deschis). Apoi apăsați brusc din nou pe starterul de recul.

### NOTĂ

- Dacă motorul nu demarează, repetați procedurile de la 2 la 5.
6. După pornirea motorului, pentru a elibera maneta de accelerație, apăsați dispozitivul de blocare. Apoi permiteți motorului să meargă în gol timp de 2-3 minute pentru a se încălzi înainte de a-l supune la orice sarcină.

### Cosire (Fig. 26, 27, 28, 29)

- În timpul cositului, motorul funcționează la peste 6500 rpm. Un timp de utilizare la rpm redus poate conduce la uzura prematură a aparatului.
- Cosiți iarba de la dreapta la stînga.
- Se poate produce rănirea prin tăiere, dacă lama de filare întâlnește un obiect solid în zona de lucru.  
Se poate produce o reacție periculoasă care poate provoca deteriorarea aparatului și rănirea gravă a operatorului. Această reacție este denumită tăietură de sabie. Ca urmare, operatorul poate pierde controlul aparatului care poate răni grav sau fatal. Probabilitatea de producere a tăieturilor de sabie este mai mare în zonele în care masa de tăiat este greu de văzut.
- Atașați hamul conform figurii (dacă este prevăzut). Întrucît lama se rotește în sens invers acelor de ceasornic, pentru a cosi eficient, se recomandă utilizarea aparatului de la dreapta la stînga. Păstrați spectatori cu cel puțin 15 m în afara zonei de lucru.

## NOTĂ

În caz de urgență, apăsați butonul de eliberare rapidă sau flapsul de eliberare de urgență (dacă este prevăzut). (Fig. 28)

### AVERTISMENT

**Dacă dispozitivul de tăiere se lovește de pietre sau de alte fragmente dure, opriți motorul și asigurați-vă că dispozitivul și piesele acestuia nu s-au deteriorat. Dacă iarba sau alte plante se înfășoară în jurul dispozitivului, opriți motorul și îndepărtați-le.**

### Oprire (Fig. 30)

Reduceți viteza motorului și lăsați-l să meargă în gol câteva minute, apoi învîrțiți comutatorul de aprindere.

### AVERTISMENT

**Dispozitivul de tăiere poate răni în cazul în care continuă să se rotească după oprirea motorului sau întreruperea alimentării. După ce ați deconectat aparatul, asigurați-vă că dispozitivul de tăiere s-a oprit, înainte de a depune dispozitivul.**

---

## Întreținere

---

**ÎNȚETINEREA, ÎNLOCUIREA SAU REPARAREA DIPOZITIVULUI ȘI A SISTEMULUI DE CONTROL AL EMISIILOR POT FI EFECTUATE DE ORICE PERSOANĂ SAU ATELIER DE REPARAȚII MOTOARE NE-RUTIERE.**

### Ajustări ale carburatorului (Fig. 31)

### AVERTISMENT

**Dispozitivul de tăiere poate fi întors în timpul reglării carburatorului.**

### AVERTISMENT

**Nu porniți niciodată motorul, dacă țeava și carterul de ambreiaj nu au fost asamblate! În caz contrar, ambreiajul poate slăbi și poate provoca rănirea persoanei.**

În carburator, carburantul este amestecat cu aer. Când motorul este testat de probă la fabrică, carburatorul este ajustat. Pot fi necesare ajustări ulterioare, în funcție de climă și altitudine. Carburatorul are o singură posibilitate de ajustare:

**T = Șurubul de ajustare a vitezei în gol.**

### Ajustare viteză în gol (T)

Verifi cați ca fi ltrul de aer să fi e curat. Când viteza în gol este corectă, anexa de tăiere nu se rotește. Dacă este necesară ajustarea, închideți (în direcția acelor de ceasornic) șurubul T, cu motorul pornit, pînă cînd anexa de tăiere începe să se rotească. Deschideți (contra acelor de ceasornic) șurubul pînă cînd anexa de tăiere se oprește. Ați atins viteza în gol corectă cînd motorul funcționează ușor în orice poziție cu mult sub rpm cînd anexa de tăiere începe să se rotească.

În cazul în care dispozitivul de tăiere continuă să se rotească și după reglarea vitezei de rotație în gol, contactați un distribuitor HITACHI.

## NOTĂ

În gol, rpm standard este 2500-3000 rpm.

## NOTĂ

Unele modele comercializate în zone cu norme stricte privind emisiile nu dețin opțiunea de reglare a vitezei mărite și reduse a carburatorului. Astfel de ajustări pot permite motorului să funcționeze în afara limitelor de conformitate privind emisiile. La aceste modele, unicul reglaj pentru carburator îl reprezintă viteza de rotație în gol.

Pentru modelele prevăzute cu reglaje pentru viteză mărită și redusă, carburatoarele sunt presetate din fabrică. Reglările minore pot optimiza performanța în funcție de climă, altitudine etc. Nu strîngeți niciodată șuruburile de reglare mai mult de 90 de grade, întrucît motorul se poate deteriora în urma reglajelor incorecte. Dacă nu sunteți familiarizat cu tipul de reglare—asistența distribuitorului HITACHI.

### AVERTISMENT

**Atunci cînd motorul funcționează în gol, anexa de tăiere în niciun caz nu trebuie să se rotească.**

### Filtrul de aer (Fig. 32)

Filtrul de aer trebuie curățat de praf și murdărie, pentru a evita:

- Proasta funcționare a carburatorului
- Probleme la pornire
- Reducerea puterii motorului
- Uzarea inutilă a pieselor motorului
- Consumul anormal de carburant

Curățați filtrul de aer zilnic sau chiar mai des, atunci cînd se lucrează în zone cu mult praf.

### Curățarea filtrului de aer

Demontați capacul filtrului și filtrul (1). Clătiți-le în soluție de apă caldă și săpun. Verificați ca filtrul să fi e uscat înainte de reasamblare. Un filtru de aer care a fost folosit de ceva timp nu poate ficurățat complet. Din acest motiv, acesta trebuie înlocuit cu unul nou. Un filtru avariat trebuie întotdeauna înlocuit.

### Filtrul de carburant (Fig. 33)

Scurgeți tot carburantul din rezervor și demontați linia de filtrullinia de carburant din rezervor. Demontați elementul de filtru din ansamblu și spălați elementul în apă caldă cu detergent. Clătiți temeinic pînă la eliminarea oricărei urme de detergent. Presați, nu stoarceți, îndepărtați excesul de apă și expuneți elementul la aer uscat.

## NOTĂ

Dacă elementul este dur din cauza murdăriei excesive, înlocuiți-l.

### Bujia (Fig. 34)

Condiția bujiei este influențată de:

- O setare incorectă a carburatorului
- Un amestec greșit de carburant (prea mult ulei în carburant)
- Un filtru de aer murdar
- Condiții dure de lucru (ca gerul de exemplu)

Acești factori cauzează depozitări pe electrozii bujiei, ceea ce poate conduce la o proastă funcționare și difi cultăți de demarare. Dacă motorul se află sub tensiune redusă, demarează greu sau funcționează slab la viteza de rotație în gol, verificați în primul rând bujia. Dacă bujia este murdară, curățați-o și verificați golul electrozului. Reglați din nou, dacă este necesar. Distanța corectă este de 0,6 mm. Bujia de aprindere trebuie înlocuită după 100 de ore de exploatare sau mai curând, în cazul în care electrozii sunt puternic erodați.

### NOTĂ

În unele regiuni, legile locale cer ca semnalele de igniție să fie suprimate de un rezistor de bujie. Dacă mașina a fost echipată din fabrică cu rezistor de bujie, folosiți la înlocuire același tip de bujie.

### Cutia de transmisie (Fig. 35)

Verificați cantitatea de vaselină din cutia de viteze sau a angrenajului de transmisie după fiecare 50 de ore de exploatare demontând capacul din interiorul cutiei de transmisie. Dacă nu observați vaselină pe flancurile angrenajului, gresați transmisia, cu vaselină de calitate, multifuncțională pe bază de litiu, pînă la 3/4. Nu gresați complet transmisia.

### Lama (Fig. 36)

#### AVERTISMENT

**Folosiți mănuși de protecție cînd manipulați sau efectuați operațiuni de întreținere a lamei.**

- Utilizați o lamă ascuțită. O lamă tocită poate să creeze probleme sau să rănească. Înlocuiți piulița de fixare, dacă aceasta este deteriorată și greu de strîns.
- La înlocuirea lamei, achiziționați una recomandată de HITACHI, cu un orificiu de fixare de 25,4 mm (un inch).
- Lama de fierăstrău (2), se montează întotdeauna cu partea ștanțată sus. În cazul lamei cu 4 dinți (1), aceasta se poate toci pe una sau alta dintre fețe.
- Utilizați lama adecvată tipului de lucrare.
- La înlocuirea lamelor, utilizați uneltele adecvate.
- Dacă dinții se tocesc, ascuțiți-i sau piuliți-i ca în imagine. Ascuțirea incorectă poate provoca vibrații excesive.
- Aruncați lamele curbate, deformate, fisurate, sparte sau deteriorate în orice mod.

### NOTĂ!

La ascuțirea lamei este important să se păstreze forma originală a razei de la baza dintelui, pentru a evita fisurarea.

### Program de întreținere

Veți găsi mai jos cîteva instrucțiuni generale de întreținere. Pentru mai multe informații, vă rugăm să contactați un distribuitor HITACHI.

#### Întreținerea zilnică

- Curățați exteriorul utilajului.
- Verificați ca hamul să fie fără deteriorări.
- Verificați garda de protecție a lamei, să nu fie deteriorată sau crăpată. Înlocuiți garda de protecție în cazul unor impacturi sau crăpături.
- Verificați ca anexa tăietoare să fie centrată corespunzător, ascuțită și fără crăpături. O anexă tăietoare descentrată induce vibrații intense care pot să deterioreze utilajul.
- Verificați dacă piulițele anexei tăietoare sunt strânse corespunzător.
- Asigurați-vă că apărătoarea pentru transport a lamei este nedeteriorată și că poate fi instalată în siguranță.
- Verificați dacă piulițele și șuruburile sunt strânse suficient.

#### Mentenanța săptămînală

- Verifi cați sistemul de pornire, în mod special cablul.
- Curățați exteriorul bujiei.
- Înlăturați bujia și verifi cați golul electrozului. Ajustați-l la 0,6mm sau înlocuiți bujia.
- Verifi cați dacă priza de aer a sistemului de pornire nu este obturată.
- Verificați ca angrenajul conic să fie plin pe 3/4 cu lubrifiant.
- Curățați filtrul de aer.

#### Mentenanța lunară

- Clățiți rezervorul de combustibil cu benzină și curățați filtrul de combustibil.
- Curățați exteriorul carburatorului și spațiul din jurul acestuia.











#### Întreținere trimestrială

- Curățați aripiioarele de răcire de pe cilindru.
- Curățați ventilatorul și spațiul din jurul acestuia.
- Curățați toba de eșapament de carbon.

#### ATENȚIE

Curățarea aripiioarelor de răcire a cilindrului, a ventilatorului și a silențiatorului trebuie efectuată în Centrul de servicii autorizate HITACHI.

**Pomen simbolov****POMNI** : Simboli niso označeni na vseh enotah.

	<p><b>Simboli</b></p> <p><b>⚠ OPOZORILO</b></p> <p>V nadaljevanju so prikazani simboli, uporabljeni pri stroju. Pred uporabo se prepričajte, da jih razumete.</p>		
	<p>Pomembno: uporabnik mora natančno prebrati in upoštevati varnostne ukrepe in opozorila ter se posvetovati o vseh morebitnih dvomih v zvezi z varnostjo. Z nepravilno in neprevidno uporabo enote ustvarite nevarnost resnih in celo usodnih telesnih poškodb.</p>		<p>Kaže največjo hitrost grede. Ne uporabljajte priključek za rezanje, katerega največje število obratov na minuto je manjše od števila obratov grede na minuto.</p>
	<p>Preberite, se posvetujte o dvomih in upoštevajte vsa opozorila in navodila v tem priročniku in na enoti.</p>		<p>Ko je to potrebno, morate nositi rokavice, npr. pri montaži opreme za rezanje.</p>
	<p>Pred uporabo te naprave si mora uporabnik obvezno namestiti zaščito za oči, glavo in ušesa.</p>		<p>Nosite proti-dršno in vzdržljivo obutev.</p>
	<p>Ne uporabljajte metalnih/togih rezil, ko je na enoti prikazan ta znak.</p>		<p>Rezilo se lahko prebode, če rezilo, ki se obrača pride v kontakt s trdnim predmetom v kritičnem območju. Lahko pride do nevarne reakcije, ki lahko povzroči nasilen sunek celotne enote in upravljalca. Ta reakcija se imenuje sunek rezila. Kot rezultat tega lahko upravljalac izgubi nadzor nad enoto, kar lahko povzroči težke ali pogubne poškodbe. Večja možnost da bo prišlo do sunka rezila obstaja na področjih, kjer je težko videti material, ki mora biti rezan.</p>
	<p>Držite otroke, druge prisotne osebe in pomočnike 15 m stran od enote. Če vam kdorkoli pristopi, takoj ustavite motor in priključek za rezanje.</p>		
	<p>Bodite pozorni na vržene predmete.</p>		
<p><b>Pred uporabo vašega stroja</b></p> <ul style="list-style-type: none"> <li>• Pozorno preberite priročnik.</li> <li>• Preverite, ali je oprema za rezanje pravilno montirana in prilagajena.</li> <li>• Prižgite stroj in preverite prilagoditev uplinjača. Pogled "VZDRŽEVANJE".</li> </ul>			

**Kazalo**

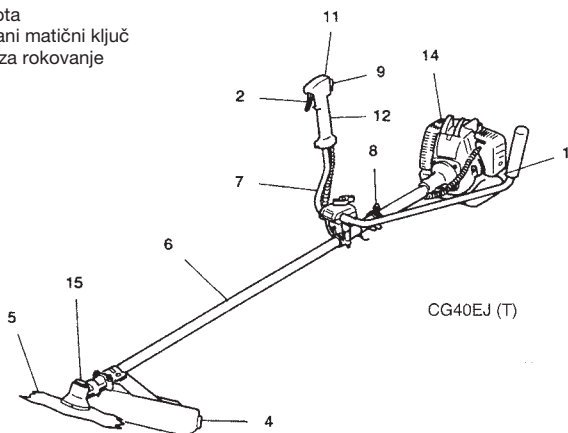
Opis delov .....	2
Opozorila in varnostna navodila .....	3
Specifikacije .....	4
Postopek montaže.....	5
Postopki upravljanja .....	6
Vzdrževanje .....	7



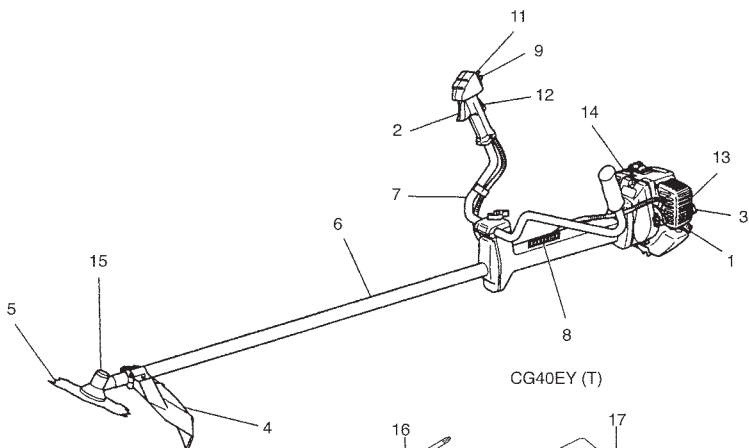
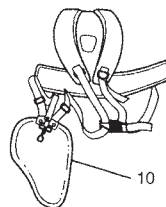
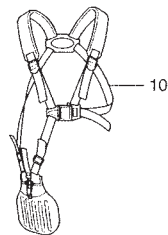
## Opis delov

Ker priročnik pokriva nekoliko modelov, lahko obstajajo razlike med Sl.mi in vašo enoto. Uporabite navodila, ki se nanašajo na vašo enoto.

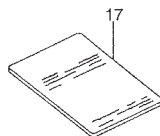
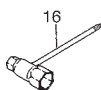
1. Pokrov posode za gorivo
2. Sprožilec dušilke
3. Ročica zaganjača
4. Varovalo rezila
5. Prikluček za rezanje
6. Cev pogonske grede
7. Krmilo
8. Očesce za ustavitev
9. Stikalo za vžig
10. Splet kablov
11. Zapora dušilke
12. Izprtje sprožilca dušilke
13. Ročica za napravo za hladni zagon motorja
14. Motor
15. Prenos kota
16. Kombinirani matični ključ
17. Navodila za roko



CG40EJ (T)



CG40EY (T)



# Opozorila in varnostna navodila

## Varnost upravljavca

- Obvezna je uporaba zaščite za obraz ali očal.
- Vedno nosite težke, dolge hlače, škornje in rokavice. Ni dovoljeno delati v ohlapnih oblačilih, z visečim nakitom, in kratkih hlačah, sandalih ali bos. Lase je treba speti nad ramena.
- Orodja ni dovoljeno uporabljati, če ste utrujeni ali pod vplivom alkohola, drog oz. zdravil.
- V nobenem primeru ni dovoljeno prepustiti dela s strojem otroku ali neizkušeni osebi.
- Uporabljajte zaščito za ušesa. Upošteвайте okolico. Bodite pozorni na ljudi v bližini, ki morda signalizirajo na težavo. Odstranite zaščitno opremo takoj potem ko ugasnete motor.
- Nosite zaščito za glavo.
- V nobenem primeru ni dovoljeno zagnati ali pustiti teči motor v zaprtem prostoru ali zgradbi. Vdihavanje izpuha je smrtno nevarno.
- Čistite ročaje, na katerih ne sme biti ostankov olja ali goriva.
- Držite roke stran od opreme za rezanje.
- Ni dovoljeno prijeti ali držati enote za opremo za rezanje.
- Potem ko izključite napravo, počakajte, da se priključek za rezanje zaustavi, preden odložite napravo.
- Ko gre za dolgotrajno delo, se občasno zaustavite in vzemite odmor, tako da preprečite morebitni sindrom tresenja roke (HAVS), ki se pojavi zaradi vibracij.

## **⚠ OPOZORILO**

**Sistemi proti vibracijam niso zadostno zagotovilo, da se ne bosta pojavila sindroma tresenja rok ali karpalnega tunela. Zato morajo upravljalci, ki dolgotrajno in redno uporabljajo orodje, sami nadzorovati stanje svojih rok in prstov. Če se pojavi kateri koli od zgornjih simptomov, takoj poiščite zdravniško pomoč.**

## **⚠ OPOZORILO**

**Če uporabljate kakršno koli medicinsko električno/elektronsko opremo, kot so spodbujevalniki za srce, se pred delom z električnim orodjem posvetujte s svojim zdravnikom in tudi z izdelovalcem opreme.**

## Varnost enote/stroja

- Pred vsako uporabo preglejte enoto/stroj. Zamenjajte poškodovane dele. Preglejte, če morda uhaja gorivo, in se prepričajte, da so vsa pritrdila na mestu in ustrezno pritrjena.
- Preden zaženete enoto/stroj zamenjajte dele, ki so okrušeni, odlomljeni ali kakor koli poškodovani.
- Prepričajte se, da je varovalno rezila pravilno pritrjeno.
- Preprečite ostalim dostop v bližino, kjer nastavljate uplinjač.
- Uporabljajte le priključke, kot jih priporoča izdelovalec za to enoto/stroj.

## **⚠ OPOZORILO**

**V nobenem primeru ni dovoljeno kakor koli spreminjati enote/stroja. Enote/stroja ni dovoljeno uporabljati za dela, za katera ni bil izdelan.**

## Varno z gorivom

- Gorivo mešajte in nalivajte na prostem, kjer ni iskenja in odprtega ognja.
- Uporabljajte posodo, ki je odobrena za gorivo.
- Ni dovoljeno kaditi ali dovoliti drugim kaditi v bližini goriva oz. enote/stroja ali med uporabo enote/stroja.
- Preden zaženete motor, obrišite vso razlito gorivo.
- Preden zaženete motor, se umaknite vsaj 3 m iz območja, kjer ste gorivo nalivali.
- Preden odstranite kapo za gorivo, zaustavite motor.
- Preden uskladiščite enoto/stroj, izpraznite posodo za gorivo. Priporočamo, da po vsaki uporabi iztočite gorivo. Če je v posodi gorivo, shranite tako, da gorivo ne izteka.
- Shranite enoto/stroj in gorivo v območje, kjer ni nevarnosti iskenja in odprtega ognja iz vodnih grelnikov, električnih motorjev, stikal, peči itd.

## **⚠ OPOZORILO**

**Gorivo je hitro vnetljivo in eksplozivno ter škodljivo za vdihavanje, zato delajte in nalivajte gorivo izredno previdno.**

## Varnost pri žaganju

- Ne režite nikakršen drugi material razen trave in grmovja.
- Pred vsako uporabo preglejte področje, ki ga boste rezali. Odstranite predmete, ki so lahko vrženi ali ki se lahko zapletejo.
- Pri rezanju trave po razkropljenem insekticidu uporabljajte masko za zaščito dihal.
- Držite zuge osebe, otroke, živali, prisotne osebe in pomočnike zunaj zone nevarnosti na 15 m. Takoj zaustavite stroj, če se vam kdo približa.
- Motor vedno držite na desni strani od svojega telesa.
- Trdno držite enoto/stroj z obema rokama.
- Ohranite trdno stoji ter ravnotežje. Ne presegajte.
- Držite vse dele telesa stran od dušilca in priključka za rezanje, medtem ko motor teče.
- Priključek za rezanje držite pod predelom pasa.
- Preden se prestavite v novo delovno območje, izključite stroj in počakajte, da se zaustavijo vsi priključki za rezanje.
- V nobenem primeru ni dovoljeno odložiti stroja na tla, medtem ko motor še teče.
- Obvezno počakajte, da se motor izključi in popolnoma zaustavijo vsi priključki za rezanje, preden odstranite umazanijo ali ostanke trave s priključka za rezanje.
- Pri delu z električno opremo imejte pri sebi obvezno prvo pomoč.
- V nobenem primeru ni dovoljeno zagnati motorja v zaprtem prostoru ali v stavbi in/ali v bližini vnetljivih tekočin. Vdihavanje izpuha je smrtno nevarno.

## Varnost pri vzdrževanju

- Enoto/stroj vzdržujte v skladu s priporočenimi postopki.
- Preden se lotite vzdrževalnih del, odklopite svečko, razen če gre za nastavitve uplinjača.
- Preprečite ostalim dostop v bližino, kjer nastavljate uplinjač.
- Uporabljajte le originalne nadomestne dele HITACHI, kot jih priporoča izdelovalec.

## POZOR

Ni dovoljeno razstaviti zaganjalnika. Nevarnost telesnih poškodb zaradi povratne vzmeti.

## Transport in skladiščenje

- Preden enoto/stroj prenesete, zaustavite motor; med prenašanjem držite dušilca stran od telesa.
- Počakajte, da se motor ohladi, izpraznite posodo za gorivo in zavaruje enoto/stroj pred skladiščenjem ali prevozom v vozilu.
- Preden uskladiščite enoto/stroj, izpraznite posodo za gorivo. Priporočamo, da po vsaki uporabi iztočite gorivo. Če je v posodi gorivo, shranite tako, da gorivo ne izteka.
- Enoto/stroj skladiščite izven dosega otrok.
- Enoto pozorno očistite in opravite vzdrževalna dela ter shranite na suho.
- Pred prevozom ali skladiščenjem obvezno prestavite stikalo motorja na izklop.
- Ko prevažate v vozilu, pokrijte rezilo s pokrovom za rezilo.

V situacijah, ki niso opisane v tem priročniku, delajte previdno in razumno. Če rabite pomoč, se obrnite na svojega prodajalca HITACHI. Posebej skrbno upoštevajte trditve, kot sledi:

## **⚠ OPOZORILO**

**Označuje veliko verjetnost resnih telesnih poškodb ali smrtno nevarnost, in sicer v primeru neupoštevanja navodil.**

## POZOR

Označuje verjetnost telesnih poškodb ali materialne škode, in sicer v primeru neupoštevanja navodil.

## POMNI

Koristne informacije za pravilno delovanje in uporabo.

## Specifikacije

MODEL		CG40EY (T)	CG40EJ (T)
Motor			
Gibna prostornina (cm <sup>3</sup> ) (ml)		39.8	
Svečka		NGK BPM6A ali enakovreden	
Število vrtljajev v prostem teku (min <sup>-1</sup> )		2,800	
Priporočena maks. hitrost (min <sup>-1</sup> )		11,000	
Hitrost izhodne grede (min <sup>-1</sup> )		8,300	
Maks. učinek motorja (kW)		1.31 (@7000 min <sup>-1</sup> )	
Prostornina posode za gorivo (cm <sup>3</sup> ) (ml)		1,000	
Suha teža (kg)		8.3	7.7
Priključek za rezanje		Vrsta / Premer (mm)	Kovinsko rezilo 3Tx305
Nivo zvočnega tlaka LpA (dB (A))		(ISO 22868)	
Enakovreden		93.7	93.7
Negotovost		0.2	0.2
Merjena raven moči zvoka LwA (dB (A))		(ISO 22868 )	
Enakovreden		104	104
Garantirana raven moči zvoka LwA (dB (A))		(2000/14/EC)	
Dirkanje		116	116
Raven vibracije (m/s <sup>2</sup> )		(ISO 22867)	
Enakovreden (Prednja / Leva ročica)		1.3	2.2
Enakovreden (Zadnja / Desna ročica)		1.1	2.3
Negotovost		1.5	1.5
Prosti tek (Prednja / Leva ročica)		1.2	2.2
Prosti tek (Zadnja / Desna ročica)		1.2	2.3
Dirkanje (Prednja / Leva ročica)		1.3	2.2
Dirkanje (Zadnja / Desna ročica)		0.9	2.3

POMNI: Enakovredne ravni hrupa/vibracije se izračunajo v smislu časovnega povprečja celotne energije v ravnih hrupa/vibracije v različnih delovnih pogojih in naslednjih časovnih razporeditvah: 1/2 prosti tek, 1/2 dirka.

\* Vsi podatki so predmet sprememb brez obvestila.

---

## Postopek montaže

---

### Pogonska os na motor (SI. 1)

Motor pritrдите na prostor za sklopko (2) s priloženimi štirimi vijaki ali maticami (1).

### Montaža ročaja (SI. 2)

Ročaj pritrдите na pogonsko os, pri čemer naj kot kaže proti motorju.

Pred delovanjem pritrдите lokacijo na najbolj ugoden položaj, vendar ne preblizu motorne glave.

### Montaža ročaja (SI. 3, 4)

Iz montaže odstranite nosilca ročaja (1). (SI. 3)

Namestite ročaje in nosilec ročaja rahlo privijte s štirimi vijaki. Naravnajte v ustreznih položaj. Nato z vijaki dobro privijte.

Snemite blazinico čopa in z njo omotajte zaščitne cevi in zavorno vrv (1). (SI. 4)

### OPOMBA za CG40EY (T) (SI. 5, 6)

Pogonska os in motor tega motorja sta tovarniško montirana. Vse, kar morate storiti je, da ročaj plina pritrдите na drugi ročaj z vijakom in matico ter nato montirate na nosilce ročaja. Matico gumba s prsti varno privijte.

### Montaža ročaja za CG40EJ (T) (SI. 7, 8)

Namestite ročaje in na rahlo privijte nosilca ročaja rahlo s gumbom ročice.

Naravnajte v ustreznih položaj. Nato z gumbom ročice dobro privijte.

Ročaj plina pritrдите na ročaj z vijakom in matico.

### UPOŠTEVAJTE

Pritrdite zaščitno tubo na pogonsko os ali ročaj s pomočjo spojkr vrv.

### Žica plina / zavorna vrv

Umaknite pokrovček filtra. (SI. 9)

Priključite zavorne vrvi. (SI. 10)

Žico plina priključite na uplinjač. (SI. 11)

Žico plina in zavorne vrvi pokrijte z dobavljeno zaščitno cevjo do pokrovčka filtra. (SI. 12)

### Namestitev varovala za rezilo (SI. 13, 14, 15, 16)

#### POMNI

Konzola varovala bo na naketerih modelih mogoče že nameščena na ohišju opreme.

Montirajte zaščito rezila na pogonsko os proti prenosu kota.

Pritrdite nosilec zaščite tako, da zaščita rezila ne niha ali se med delovanjem ne sname.

#### POZOR

Nekatere zaščite rezila so opremljene z omejitvi ostrih črt. Bodite previdni pri ravnanju z njimi.

#### OPOMBA (SI. 14)

Pri uporabi HITACHI aluminijeve glave (CH-100 ali CH-300) na vaši enoti mora naprava za omejevanje z ostro črto (2), ki je vključen v torbi za orodjem, biti varno zategnjena na varovalo za rezilo s prikazanim sornikom (3).

Pri uporabi glave obrezovalnika z vrstjo varovala za rezilo, ki ima dva dela, priključite podaljšek varovala va varovalo za rezilo. (SI. 15)

#### POMNI

Ko priključujete podaljšek varovala na varovalo za rezilo, mora naprava za omejevanje z ostro črto biti odstranjena iz varovala za rezilo (če je tako nameščeno).

#### POMNI

Če ima vaša enota nalepko na varovalu na cevi pogonske grede, sledite navodila.

#### POMNI

Za odstranitev podaljška varovala pogledajte slike. Nosite rokavice, ker ima podaljšek ostro napravo za omejevanje, in potem potisnite štiri kvadratne jezičke na varovalu v zaporedju eden po eden. (SI. 16)

#### Namestitev rezila za rezanje (SI. 17, 18)

(če je v opremi)

Pri namestitvi rezila za rezanje zagotovite, da na njemu ni razpok ali kakršnih koli poškodb, ter da so robovi za rezanje obrnjeni v pravilni smeri.

#### POMNI

- Pri instaliranju pokrova za držanje rezila (1) postavite kokavno stran nazgor.
- Vstavite Allenov ključ (2) v odprtino prenosa kota ter zaprite držalo rezalnika (3). Treba je paziti da sornik ali matica za pritrdjevanje rezalnika (4) ima navoje na levo stran (v smeri urnih kazalcev za popuščanje/v smeri obratni od urnih kazalcev za zategnitev). Z maticnim ključem zategnite sornik ali matico za pritrdjevanje.

#### POMNI

Če je vaša enota tipa za privijte matice in opremljena z zaponko, je treba vedno ob montaži rezilo dobro držati z novo zaponko (5). (SI. 19)

#### POZOR

Pred uporabo zagotovite, da je rezilo pravilno nameščeno.

#### POZOR

Če je vaša enota opremljena z zaščitnim pokrovom pod rezilom za rezanje, pred uporabo preverite da ni obrabljen ali da ni razpok. Če najdete poškodbo ali obrabljenost, ga zamenjajte, ker se porabi.

## Namestitev Brain glave za rezanje

### POMNI

Za namestitev pogledajte svoj priročnik za Brain lastnike, ki ste ga dobili skupaj z Brain glavo za rezanje.

### OPOZORILO

Za HITACHI Brain glave ali HITACHI glave iz zlitine uporabljajte samo fleksibilne, nemetalne vrste, ki jih priporoča proizvajalec. Nikoli ne uporabljajte žico ali vrvi iz žice. Le-te se lahko potrgajo in postanejo nevarni izstrelki.

### POMNI

Pri uporabi HITACHI glave iz zlitine (CH-100) mora začetna dolžina linije za rezanje okoli 17 cm. (Sl. 20)

---

## Postopek upravljanja

### Gorivo (Sl. 21)

### OPOZORILO

- Obvezovalnik je opremljen z dvotaktnim motorjem. Za pogon motorja obvezno uporabljajte gorivo, ki je mešano z oljem. Pri dolivanju ali delu z gorivom poskrbite za dobro zračenje.
- Gorivo vsebuje zelo vnetljive in po vsej verjetnosti zdravju škodljive snovi - nevarnost telesnih poškodb med vdihavanjem ali stikom s telesom. Obvezno delajte previdno z gorivom. Obvezno poskrbite za dobro zračenje, ko z gorivom rukujete v zaprtem prostoru.

### Gorivo

- Obvezno uporabljajte 89-oktanski neosvinčen bencin.
- Uporabljajte dvociklično olje ali mešanico 25:1 do 50:1; za razmerje glejate na platenki za olje ali se posvetujte s prodajalcem HITACHI.
- Če originalno olje ni na voljo, uporabite antioksidativno kakovostno olje, ki je označeno za zračno hlajen dvociklični motor (JASO FC GRADE OIL ali ISO EGC GRADE). Ne uporabljajte mešanice olja BIA ali TCW (2-taktni tip na vodno hlajenje).
- V nobenem primeru ni dovoljeno uporabljati večstopenjskega olja (10 W/30) ali odpadnega olja.
- Obvezno mešajte gorivo in olje v ločeni čisti posodi.

Vedno začnite z polnjenjem pol količine goriva, ki bo uporabljeno. Potem dodajte vso količino olja. Zmešajte (stresite) mešanico goriva. Dolijte preostanek goriva. Zmešajte (stresite) mešanico goriva, preden jo nalijete v posodo za gorivo.

### Nalivanje goriva

### OPOZORILO

- Preden dolijete gorivo, obvezno ugasnite motor.
- Ko dolivate gorivo, počasi odprite posodo za gorivo, tako da izginijo možni presežki pritiska.

- Potem ko dolijete gorivo, previdno privijte kapo za gorivo.
- Pred začetkom dela vedno premaknite obvezovalnik najmanj 3 m od področja, kjer ste dolivali gorivo.
- Obvezno takoj očistite z milom morebitno razlito gorivo z oblačil.
- Potem ko dolijete, obvezno preglejte, če gorivo morda izteka.

Preden dolijete, natančno očistite območje okoli kape za posodo, tako da preprečite vdor umazanije v posodo. Obvezno dobro zmešajte gorivo tako, da stresete posodo, preden nalijete gorivo.

### Zagon (Sl. 22, 23, 24, 25)

### POZOR

Pred začetkom zagotovite da se priključek za rezanje ne dotika ničesar.

1. Prestavite stikalo za vžig (1) na vklop »ON«. (Sl. 22, 23)  
\* Večkrat pritisnite izboklino za vbrizgavanje (4) tako, da gorivo steče skozi povratno cev (5) (Če je naprava tako opremljena.) (Sl. 24)
2. S pritisnjenim zaklopom ročice za plin (2) (če je stroj tako opremljen) potegnite ročico za plin in potisnite varnostno zaporo plina (3), ročico počasi izpusťite in nato še zaklop ročice za plin. S tem boste plin samodejno zaklenili v položaju za zagon. (Sl. 22, 23)
3. Postavite ročico naprave za hladni zagon motorja na položaj CLOSED (zaprto) (4). (Sl. 25)
4. Na hitro potegnite zaganjalnik in pri tem pazite, da zadržite ročaj, tako da preprečite udarec nazaj.
5. Ko slišite da se motor hoče zagnati, obrnite ročico naprave za hladni zagon motorja na položaj RUN (zagon) (odprto). Potem še enkrat hitro povlecite odsunek zaganjača.

### POMNI

- Če se motor ne zažene, ponovite navodila 2 do 5.
- 6. Ko motor začne delati, povlecite sprožilec dušilke da bi odprli zaporo dušilke. Potem pustite motor okoli 2-3 minute naj se segreje, preden ga začnete obremenjevati.

### Rezanje (Sl. 26, 27, 28, 29)

- Motor pri rezanju naj deluje nad 6500 vrt/min. Podaljšani čas uporabe pri nizkem številu vrt/min lahko predčasno obrabi sklopko.
- Travo režite od desne proti levi strani.
- Rezilo se lahko prebode, če rezilo ki se obrača pride v kontakt s trdnim predmetom v kritičnem območju. Lahko pride do nevarne reakcije, ki lahko povzroči nasilen sunek celotne enote in upravljalca. Ta reakcija se imenuje sunek rezila. Kot rezultat tega, lahko upravljalac izgubi nadzor nad enoto, kar lahko povzroči težke ali pogubne poškodbe. Večja možnost da bo prišlo do sunka rezila obstaja na področjih, kjer je težko videti material, ki mora biti rezan.
- Pas nosite kot je prikazano na sliki (če je v opremi). Rezilo se obrača v smeri obratni od urnih kazalcev. Zaradi tega priporočamo da za učinkovito rezanje z enoto upravljate od desne proti levi strani. Držite prisotne osebe zunaj področja dela na vsaj 15 m.

## POMNI

Pritisnite gumb za hitro odpuščanje ali povlecite zavihek za odpuščanje v nujnih primerih (če je v opremi) če pride do nujnosti. (Sl. 28)

### OPOZORILO

**Če priključek za rezanje udari kamne ali druge odpadke, ustavite motor in se prepričajte, ali so priključek in povezani deli nepoškodovani. Ko se okoli priključka nabere trava ali zasaditve, ustavite motor in priključek ter jih odstranite.**

### Zaustavitev (Sl. 30)

Zmanjšajte hitrost motorja in pustite motor nekaj minut v prostem teku, potem izključite stikalo za vžig.

### OPOZORILO

**Priključek za rezanje se lahko poškoduje, če se vrti še potem ko je motor ustavljen, ali ko je opuščena nadzor nad močjo. Potem ko izključite napravo, počakajte, da se priključek za rezanje zaustavi, preden odložite napravo.**

## Vzdrževanje

### VZDRŽEVANJE, ZAMENJAVA ALI POPRAVILA NAPRAVE ZA NADZIRANJE EMISIJ IN SISTEMA LAHKO OPRAVIJO NA KATEREM KOLI NECESTNEM SERVISU ALI TA DELA UPRAVI STROKOVNO USPOSOBLJEN SERVISER.

### Nastavitev uplinjača (Sl. 31)

### OPOZORILO

**Priključek za rezanje se lahko vrti tekom prilagoditve uplinjača.**

### OPOZORILO

**Nikoli ne prižigajte motorja brez popolne namestitve pokrova sklopke in cevil! V nasprotnem primeru se lahko sklopka odklopi in povzroči telesne poškodbe.**

V uplinjaču je gorivo zmešano z zrakom. Med testnim zagonom in tekom motorja v tovarni, nastavijo tudi uplinjač. Po potrebi ga je treba dodatno nastaviti, in sicer ustrezno klimatskim in višinskim pogojem. Uplinjač ima eno nastavitveno možnost:

**T = vijak za nastavitev hitrosti v prostem teku.**

### Nastavitev hitrosti v prostem teku (T)

Preglejte zračni filter in se prepričajte, da je čist. Če je hitrost v prostem teku pravilna, se ne vrti rezalni priključek. Če je treba nastaviti, zaprite (v smeri urnega kazalca) T-vijak, medtem ko motor teče, dokler se priključek za rezanje ne začne vrteti. Odprite (v nasprotni smeri urnega kazalca) vijak, tako da se rezalni priključek zaustavi. Pravilno hitrost v prostem teku ste dosegli, ko začne motor teči neovirano v vseh položajih pod vrt./min in se priključek za rezanje začne vrteti.

Če se priključek za rezanje vrti, tudi potem ko ste nastavili hitrost v prostem teku, se o tem posvetujte s prodajalcem HITACHI.

## POMNI

Standardno število vrt./min v prostem teku je 2500~3000 vrt./min.

## OPOMBA

Določeni modeli, ki se prodajajo v območjih, kjer veljajo strogi predpisi v zvezi z emisijo, nimajo možnosti nastavitve majhne in velike hitrosti uplinjača. S takšnimi nastavitvami motor deluje zunaj usklajenih omejitev emisij. Za te modele velja ena nastavitev uplinjača, in sicer hitrost v prostem teku.

Za modele ki so opremljeni z prilagoditvami za majhno in veliko hitrost so uplinjači vnaprej nastavljeni v tovarni. Manjše prilagoditve lahko optimizirajo izvedbo na osnovi klime, nadmorske višine, itn. Nikoli ne obračajte vijake za prilagoditev v korakih večjih od po 90 stopinj, ker nepravilna prilagoditev lahko povzroči poškodbo motorja. Če niste seznanjeni z vrsto prilagoditve, poiščite pomoč HITACHI trgovca.

### OPOZORILO

**Medtem ko motor teče v prostem teku, se rezalni priključek ne sme vrteti.**

### Zračni filter (Sl. 32)

Z zračnega filtra je treba očistiti prah in umazanijo, tako da se prepreči:

- Okvare uplinjača
- Težave ob zagonu
- Zmanjšanje moči motorja
- Nepotrebno obrabo motornih delov
- Nenormalno porabo goriva

Zračni filter očistite vsak dan in še bolj pogosto, ko delate v posebej prašnem delovnem okolju.

### Čiščenje zračnega filtra

Odstranite pokrov filtra za zrak in filter (1). Sperite te dele v topli milnici. Preden ponovno sestavite, se prepričajte, da je filter suh. Zračni filter, ki ga uporabljate že nekaj časa, ni možno očistiti do konca. Zato ga je treba redno menjati. Poškodovani filter je treba zamenjati.

### Filter za gorivo (Sl. 33)

Pustite naj gorivo izteče iz posode za gorive in povlecite linijo filtra za gorivo iz posode. Povlecite element filtra iz sklopa držala, ter izperite element v topli vodi s čistilnim sredstvom.

Natančno izperite dokler ne izginejo vsi tragi čistilnega sredstva. Ožemite, ampak ne premočno, odstranite presežek vode in pustite element naj se posuši na zraku.

## POMNI

Če je element trd zaradi preveč umazanije na njemu, ga zamenjajte.

### Svečka (Sl. 34)

Na stanje svečke vpliva:

- Nepravilna nastavitve uplinjača
- Nepravilna mešanica goriva (preveč olja v bencinu)
- Onesnažen filter zraka
- Težki pogoji dela (kot je mraz)

Ti dejavniki so vzrok za usedline na elektrodah svečke, ki pomenijo nevarnost okvare in težav pri zagonu. Če motor deluje z zmanjšano močjo, se oteženo zaganja ali slabo teče pri hitrosti v prostem teku, obvezno najprej pregledajte svečko. Onesnaženo svečko očistite in pregledajte režo elektrode. Ponovno prilagodite, če je to potrebno. Pravilen medprostor je 0,6 mm. Svečka se mora zamenjati po približno 100 delovnih urah ali prej, če so elektrode zelo erodirane.

### POMNI

V določenih območjih je treba v skladu z lokalno zakonodajo namestiti rezistorsko svečko, tako da se zadesijo signali vžiga. Če je stroj v originalu opremljen z rezistorsko svečko, zamenjajte s svečko enake vrste.

### Prenos kota (Sl. 35)

Preverite raven masti na prenosu kota ali opremi kota vsakih 50 ur dela tako, da odstranite čep za polnilo masti na strani prenosa kota. Če na bočnih delih opreme ne morete videti masti, napolnite prenos z kakovostno večnamensko masljo na bazi litija do 3/4. Prenos ne zapolnite do konca.

### Rezilo (Sl. 36)

#### OPOZORILO

**Tekom rokovanja in izvedbo vzdrževalnih del na rezilu nosite zaščitne rokavice.**

- Uporabite ostro rezilo. Pusto rezilo se bo prej pokvarilo in poškodovalo. Zamenjajte matico za priključitev, če je poškodovana, in jo trdno zategnite.
- Pri zamenjavi rezila kupite tisto, ki jo priporoča HITACHI, s 25,4 mm odprtino za namestitvev.
- Pri namestitvi rezila za piljenje (2) vedno obrnite označeno stran navzgor. Če uporabljate rezilo s 4 zoba (1), je rezilo lahko uporabljeno na kateri koli strani.
- Uporabljajte pravilno rezilo za vrsto dela.
- Pri zamenjavi rezila uporabite primerno orodje.
- Ko robovi za rezanje postanejo topi, jih ponovno naostrite ali vložite kot je prikazano na sliki. Nepravilno ostrenje lahko povzroči prekomerno vibracijo.
- Zavrzite rezila, ki so na kakršen koli način zakrivljena, sestavljena, razpokana, v okvari ali poškodovana.

### POMNI

Pri ostrenju rezila je pomembno zadržati izviren oblik polmera na osnovi zoba, da se tako izognete razpokam.

### Načrt vzdrževanja

V nadaljevanju so splošna navodila o vzdrževanju. Za dodatne informacije se obrnite na prodajalca HITACHI.

### Dnevno vzdrževanje

- Očistite zunanjo površino enote.
- Preverite, ali je pas poškodovan.
- Preverite, ali je varovalo rezila poškodovano ali razpokano. Če obstaja vpliv razpok, zamenjajte varovalo.
- Preverite, ali je priključek za rezanje pravilno centriran, ali je oster, in ali je brez razpok. Priključek za rezanje, ki ni centriran, lahko povzroči težke vibracije, ki lahko poškodujejo enoto.
- Preverite, ali je matica priključka za rezanje dovolj zategnjena.
- Pregledajte transportno varovalo za verigo, ki ne sme biti poškodovano, tako da se lahko varno pritrdi.
- Pregledjte, če so matice in vijaki ustrezno priti.

### Tedensko vzdrževanje

- Preverite zaganjalnika, posebno žico.
- Očistite zunanjo površino svečke.
- Vzemite ven svečko in pregledjte režo elektrode. Režo nastavite na 0,6 mm ali zamenjajte svečko.
- Preverite, ali je vhod za zrak na zaganjalniku zamašen.
- Preverite, da je oprema kota napolnjena z mazivom do 3/4.
- Očistite zračni filter.

### Mesečno vzdrževanje

- Posodo za gorivo sperite z bencinom in očistite filter za gorivo.
- Očistite zunanjo površino uplinjača in območje okoli uplinjača.



### Četrletno vzdrževanje

- Očistite hladilna rebra na cilindru.
- Očistite ventilator in območje okoli.
- Očistite dušilec ogeljika.

### POZOR

Čiščenje plavuti cilindra, ventilatorja in dušilca mora izvesti HITACHI jev pooblaščen servisni center.

**Значение символов или табличек****ВНИМАНИЕ** : Некоторые устройства не снабжены ими.

	<p><b>Символы</b>  <b>⚠ ПРЕДОСТЕРЕЖЕНИЕ</b>          Ниже приведены символы, используемые для машины. Перед началом работы обязательно убедитесь в том, что Вы понимаете их значение.</p>		
	<p>Необходимо прочитать и в полном объеме понять и соблюдать следующие правила техники безопасности и предостережения. Халатное или ненадлежащее применение устройства может привести к серьезным или смертельным телесным повреждениям.</p>		<p>Отображает максимальную скорость вращения вала. Запрещается использовать режущий инструмент, если его максимальная скорость вращения меньше максимальной скорости вращения вала.</p>
	<p>Следует прочитать, понять и выполнять все предостережения и инструкции, указанные в данном руководстве и на устройстве.</p>		<p>Используйте прочную обувь с нескользящей подошвой.</p>
	<p>При эксплуатации данного устройства необходимо использовать средства защиты зрения, слуха, а также головной убор.</p>		<p>Носить прочную и нескользящую обувь.</p>
	<p>Если на Вашем устройстве отображен данный значок, не рекомендуется использовать металлические/негибкие лезвия.</p>		<p>Если вращающиеся лезвия придут в соприкосновение с твердыми объектами в критической зоне, возможно возникновение упора лезвия. Может возникнуть ситуация, несущая опасность для оператора и оборудования. Это явление получило название упор лезвия. В результате оператор может потерять управление устройством, что может привести к серьезным и даже фатальным телесным повреждениям. Упор лезвием может произойти в местах с плохой видимостью.</p>
	<p>Расстояние до детей, наблюдателей и помощников должно составлять не менее 15 метров. Если кто-либо приближается к Вам, немедленно остановите двигатель и режущий инструмент.</p>		
	<p>Будьте осторожны, возможно отбрасывание различных предметов.</p>		
<p><b>Перед использованием инструмента</b></p> <ul style="list-style-type: none"> <li>• Тщательно изучите инструкцию.</li> <li>• Убедитесь, что режущий инструмент установлен и отрегулирован должным образом.</li> <li>• Запустите инструмент и проверьте настройки карбюратора. См. раздел «ТЕХОБСЛУЖИВАНИЕ».</li> </ul>			

**Содержание**

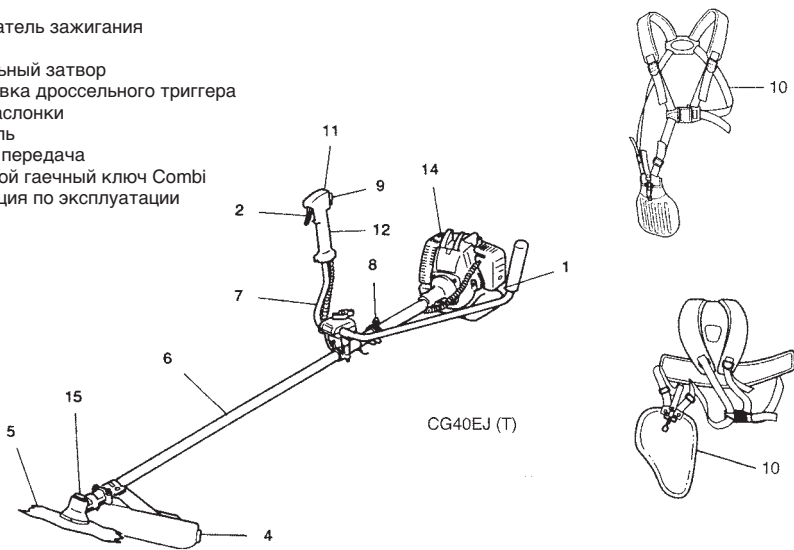
Детали устройства.....	2
Предостережения и инструкции по технике безопасности.....	3
Спецификации.....	4
Порядок сборки.....	5
Эксплуатация.....	6
Техобслуживание.....	7



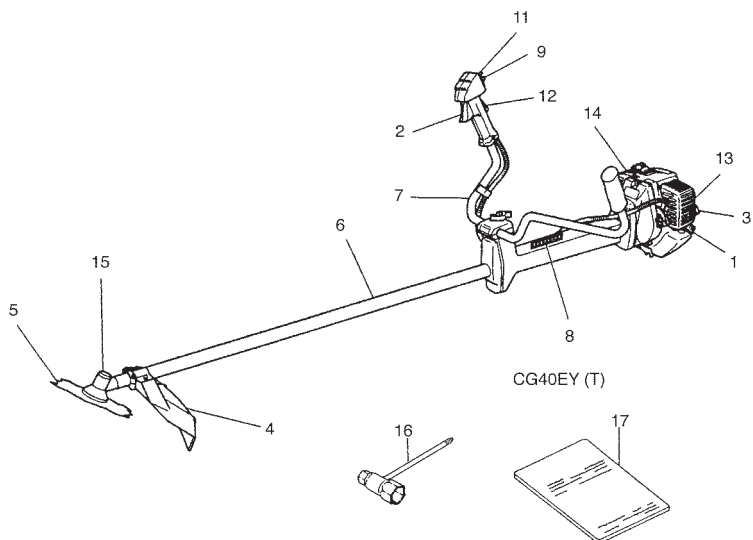
## Детали устройства

Поскольку в данном руководстве описываются несколько моделей, возможны различия между рисунками и Вашим устройством. Воспользуйтесь инструкциями, прилагаемыми к Вашему инструменту.

1. Крышка топливного бака
2. Дроссельное пусковое устройство
3. Рукоятка стартера
4. Защитное приспособление режущего инструмента
5. Режущий инструмент
6. Труба приводного вала
7. Рукоятка
8. Петля
9. Выключатель зажигания
10. Ремень
11. Дроссельный затвор
12. Блокировка дроссельного триггера
13. Рычаг заслонки
14. Двигатель
15. Угловая передача
16. Кольцевой гаечный ключ Combi
17. Инструкция по эксплуатации



CG40EJ (T)



CG40EY (T)

# Предостережения и инструкции по технике безопасности

## Безопасность оператора

- Необходимо использовать защитную маску для лица и очки.
- Необходимо использовать длинные брюки из прочной ткани, ботинки и перчатки. Запрещается одевать широкую одежду, украшения, шорты, сандалии и ходить босиком. Следует подобрать волосы таким образом, чтобы их длина была выше плеч.
- Запрещается использование данного устройства в усталом состоянии, при болезни или под влиянием алкоголя, наркотических веществ или медикаментов.
- Не позволяйте детям или некомпетентным лицам использовать устройство.
- Необходимо использовать средства защиты слуха. Следите за окружающей ситуацией. Обращайте внимание на людей, которые могут сообщать Вам о каких-то проблемах. Удаляйте защитное оборудование сразу после отключения двигателя.
- Носите средства защиты слуха.
- Запрещается запускать и эксплуатировать двигатель в закрытом помещении или здании. Вдыхание выхлопных газов может быть смертельным.
- Содержите рукоятки в чистом состоянии, не допускайте попадания на них масла или топливной смеси.
- Не прикасайтесь к режущему инструменту.
- Запрещается держать устройство за режущее оборудование.
- Если устройство отключено, убедитесь, что режущий инструмент остановился, прежде чем положить устройство.
- При длительном сроке использования необходимо периодически устраивать перерывы, чтобы избежать возможного синдрома белых пальцев, который вызывает вибрация.

## АНТИВИБРАЦИОННЫЕ СИСТЕМЫ

АНТИВИБРАЦИОННЫЕ СИСТЕМЫ не гарантируют защиту от синдрома белых пальцев или кистевого туннельного синдрома. Поэтому постоянные и регулярные пользователи должны внимательно следить за состоянием своих рук и пальцев. При появлении одного из вышеупомянутых симптомов следует немедленно обратиться за помощью к врачу.

## ПРЕДОСТЕРЕЖЕНИЕ

Если Вы пользуетесь какими-либо медицинскими электрическими/электронными устройствами, например, электронным стимулятором сердца, проконсультируйтесь с врачом, а также с изготовителем устройства, прежде чем эксплуатировать какое-либо электрическое оборудование.

## Безопасность устройства/машины

- Перед каждым использованием необходимо выполнять полную проверку устройства/машины. Поврежденные детали подлежат замене. Необходимо выполнять проверку отсутствия утечки топлива и проверку прочности посадки всех креплений.
- Перед применением устройства/машины необходимо произвести замену треснувших, сколотых или иным образом поврежденных деталей.
- Убедитесь, что защитное приспособление установлено надлежащим образом.
- При выполнении регулировки карбюратора не допускать в рабочую зону посторонних.
- Применяйте вспомогательное оборудование, рекомендуемое изготовителем именно для этого устройства/машины.

## ПРЕДОСТЕРЕЖЕНИЕ

Запрещается вносить какие-либо изменения в конструкцию устройства/машины. Не применяйте устройство/машину для других целей, кроме тех, для которых оно предназначено.

## Безопасность при обращении с топливом

- Смешивание и заливку топлива необходимо производить на открытом воздухе и в местах, где отсутствуют источники искр или огня.
- Необходимо использовать соответствующий топливный контейнер.
- Запрещается курить и позволять другим курить поблизости от топлива или устройства/машины, либо во время применения устройства/машины.
- Пролитое топливо необходимо удалить до запуска двигателя.
- Перед запуском двигателя следует отойти не менее чем на 3 м от места заправки.
- Перед удалением крышки топливного бака необходимо заглушить двигатель.
- Опорожнить топливный бак перед складированием устройства/машины. Рекомендуется сливать топливо после каждого применения. Если топливо остаётся в баке, необходимо проследить, чтобы бак не протекал.
- Хранить устройство/машину и топливо в месте, где топливные пары не могут достигнуть искры или огня из водонагревателей, электрических двигателей или выключателей, печей и т.п.

## ПРЕДОСТЕРЕЖЕНИЕ

Топливо легко воспламеняется или взрывается, а также выделяет пары, поэтому будьте особенно внимательны при обращении с топливом.

## Безопасность при использовании

- Допускается резать только траву или кустарник.
- Перед каждым использованием необходимо производить проверку места предполагаемого использования. Следует удалить предметы, которые могут быть отброшены или втянуты.
- Если стрижка травы производится после распыления инсектицида, то для защиты органов дыхания следует использовать респиратор.
- Не допускать детей, животных, наблюдателей и помощников в опасную зону на расстоянии ближе 15 м. Если к Вам кто-то приближается, немедленно заглушите двигатель.
- Всегда держите двигатель с правой стороны тела.
- Крепко держите устройство/машину обеими руками.
- Сохраняйте устойчивое положение и равновесие. Не тянитесь.
- При работающем двигателе держите все части тела на расстоянии от глушителя и режущего инструмента.
- Держите режущий инструмент ниже уровня талии.
- При переходе на новый рабочий участок следует отключить двигатель и проследить, чтобы все режущие инструменты прекратили движение.
- Запрещается класть работающее устройство на землю.
- Необходимо отключить двигатель и дождаться полной остановки режущего инструмента, прежде, чем удалять обрезки или траву из режущего аппарата.
- При использовании электросилового оборудования всегда держите поблизости аптечку первой помощи.
- Запрещается запускать и эксплуатировать двигатель в закрытом помещении или здании и/или возле легковоспламеняющихся жидкостей. Вдыхание выхлопных газов может быть смертельным.

## Безопасность при техобслуживании

- Техобслуживание устройства/машины необходимо выполнять в соответствии с рекомендованными процедурами.
- Прежде чем производить техобслуживание, отсоедините свечу зажигания, за исключением случаев выполнения работ по регулировке карбюратора.
- При выполнении регулировки карбюратора не допускать в рабочую зону посторонних.
- Допускается использование только оригинальных запасных частей HITACHI, рекомендованных производителем.

## ОСТОРОЖНО

Не разбирать возвратный стартер. Существует вероятность получения травмы из-за возвратной пружины.

## Транспортировка и хранение

- Переносить устройство/машину вручную разрешается только при отключенном двигателе и при отведённом в сторону от тела глушителе.
- Охладить двигатель, опорожнить топливный бак и заблокировать устройство/машину перед складированием или транспортировкой.
- Опорожнить топливный бак перед складированием устройства/машины. Рекомендуется сливать топливо после каждого применения. Если топливо остаётся в баке, необходимо проследить, чтобы бак не протекал.
- Необходимо хранить устройство/машину в недоступном для детей месте.
- Необходимо производить тщательную очистку устройства и хранить его в сухом месте.
- При транспортировке или хранении следует убедиться, что двигатель выключен.
- При транспортировке лезвие необходимо закрыть кожуком.

При возникновении ситуаций, не описанных в данном руководстве, надлежит соблюдать осторожность и действовать в соответствии со здравым смыслом. При возникновении вопросов обратиться к представителю компании HITACHI. Обратите особое внимание на указания, сопровождающиеся следующими словами:

## ПРЕДОСТЕРЕЖЕНИЕ

Указывает на высокую вероятность причинения телесного вреда или на смертельную опасность при несоблюдении инструкций.

## ОСТОРОЖНО

Указывает на вероятность причинения телесного вреда или повреждения оборудования при несоблюдении инструкций.

## ПРИМЕЧАНИЕ

Полезная информация для надлежащего функционирования и применения.

## Спецификации

МОДЕЛЬ		CG40EY (T)	CG40EJ (T)
Двигатель			
Рабочий объем (см <sup>3</sup> ) (мл)		39.8	
Свеча зажигания		NGK BPM6A или Эквивалент	
Частота вращения холостого хода (мин <sup>-1</sup> )		2,800	
Рекомендованная максимальная скорость вращения (мин <sup>-1</sup> )		11,000	
Скорость вращения выходного вала (мин <sup>-1</sup> )		8,300	
Максимальная мощность двигателя (кВт)		1.31 (@7000 min <sup>-1</sup> )	
Емкость топливного бака (см <sup>3</sup> ) (мл)		1,000	
Сухая масса (кг)		8.3	7.7
Режущий инструмент	Тип / Диамет. (мм)	Металлическое лезвие 3Тх305	Металлическое лезвие 3Тх305
Уровень звукового давления LpA (дБ (A))	(ISO 22868)	93.7	93.7
	Эквивалент		
	Погрешность		
Измеренный уровень акустической мощности LwA (дБ (A))	(ISO 22868 )	104	104
	Эквивалент		
Номинальный уровень акустической мощности LwA (дБ (A))	(2000/14/EC)	116	116
	На полном ходу		
Уровень вибрации (м/с <sup>2</sup> )	(ISO 22867)		
Эквивалентное (Передняя / Левая рукоятка)		1.3	2.2
Эквивалентное (Задняя / Правая рукоятка)		1.1	2.3
Погрешность		1.5	1.5
На холостом ходу (Передняя / Левая рукоятка)		1.2	2.2
На холостом ходу (Задняя / Правая рукоятка)		1.2	2.3
На полном ходу (Передняя / Левая рукоятка)		1.3	2.2
На полном ходу (Задняя / Правая рукоятка)		0.9	2.3

ПРИМЕЧАНИЕ : Эквивалентные уровни шума/вибрации вычисляются в качестве взвешенной по времени энергии, общей для уровней шума/ вибрации при различных рабочих условиях при следующем распределении по времени: Холостой ход 1/2, разгон 1/2.

\* Все данные подлежат изменению без уведомления.

## Порядок сборки

### Приводной вал к двигателю (Рис. 1)

Прикрепить двигатель к корпусу муфты (2) посредством предусмотренных четырёх винтов или болтов (1).

### Монтаж рукоятки (Рис. 2)

Прикрепить рукоятку к трубе приводного вала углом по направлению к двигателю.  
Перед эксплуатацией отрегулировать положение до наиболее удобной позиции, но не слишком близко к шпindelной головке.

### Монтаж рукоятки (Рис. 3, 4)

Снять с узла крепёжную скобу рукоятки (1). (Рис. 3)  
Установить рукоятку и слегка затянуть крепёжную скобу рукоятки посредством четырёх болтов. Отрегулировать нужное положение. Затем прочно закрепить болтами.

Отцепить прокладку и завернуть в неё трубчатые стопорные шнуры и дроссельный провод (1). (Рис. 4)

### ПРИМЕЧАНИЕ для CG40EY (T) (Рис. 5, 6)

Приводной вал и двигатель этой модели предварительно смонтированы на заводе-изготовителе. Всё, что Вам нужно сделать – это прикрепить винтом и гайкой дроссельный зажим на рукоятку и затем установить его на крепёжных скобах рукоятки. Прочно затянуть ручную гайку с головкой.

### Монтаж рукоятки для CG40EJ (T) (Рис. 7, 8)

Установить рукоятку и слегка затянуть крепёжную скобу рукоятки посредством кнопки рукоятки. Отрегулировать нужно положени. Затем прочно закрепить кнопку рукоятки.

Прикрепить дроссельный зажим посредством винта и гайки.

### ВНИМАНИЕ

Закрепить защитную трубку на приводном валу или рукоятке с помощью шнуровых зажимов.

### Дроссельный провод/стопорный шнур

Снять крышку воздухоочистителя. (Рис. 9)  
Присоединить стопорные шнуры. (Рис. 10)  
Присоединить конец дроссельного провода. (Рис. 11)  
Закрывать дроссельный провод и стопорные шнуры защитной трубкой, присоединённой к крышке воздухоочистителя. (Рис. 12)

### Монтаж защитного приспособления лезвия (Рис. 13, 14, 15, 16)

#### ПРИМЕЧАНИЕ

Крепёжная скоба защитного приспособления может быть уже установлена на коробке передач некоторых моделей.

Установить защитное приспособление лезвия на трубе приводного вала против угловой передачи. Прочно затянуть крепёжную скобу, чтобы защитное приспособление лезвия не раскачивалось и не смещалось во время эксплуатации.

#### ОСТОРОЖНО

Некоторые защитные приспособления для лезвий снабжены острыми ограничителями шнура. Соблюдайте осторожность при обращении с ними.

#### ПРИМЕЧАНИЕ (Рис. 14)

При использовании на Вашем устройстве алюминиевой головки производства HITACHI (CH-100 или CH-300) острый ограничитель шнура (2), который входит в комплект инструментов, должен быть надежно закреплен на защитном приспособлении лезвия с помощью болта (3).

При использовании триммерной головки с двухсекционным защитным приспособлением для лезвия следует использовать насадку. (Рис. 15)

#### ПРИМЕЧАНИЕ

При крепении насадки защитного приспособления следует удалить острый ограничитель шнура с защитного приспособления лезвия (если оно установлено).

#### ПРИМЕЧАНИЕ

Если на Вашем устройстве имеется табличка размещения защитного приспособления на трубе приводного вала, следуйте приведенным указаниям.

#### ПРИМЕЧАНИЕ

Чтобы снять насадку защитного приспособления изучите соответствующие чертежи. При этом необходимо использовать перчатки, так как насадка снабжена острым ограничителем шнура, затем вдавить по очереди четыре прямоугольных язычка на защитном приспособлении. (Рис. 16)

### Установка режущего лезвия (Рис. 17, 18)

(При наличии)

При установке режущего лезвия убедитесь, что на нем отсутствуют трещины или иные повреждения, а также в том, что режущие кромки ориентированы в нужном направлении.

#### ПРИМЕЧАНИЕ

- При установке шляпки держателя режущего инструмента (1) убедитесь, что вогнутая сторона направлена вверх.
- Вставьте универсальный гаечный ключ (2) в отверстие угловой передачи и зафиксируйте держатель режущего инструмента (3). Необходимо помнить, что крепёжный болт или гайка (4) режущего инструмента имеют левостороннюю резьбу (необходимо крутить по часовой стрелке для выкручивания/против часовой стрелки при затягивании). Затяните крепёжный болт или гайку с помощью накидного гаечного ключа.

#### ПРИМЕЧАНИЕ

Если Ваше устройство закреплено гайкой и снабжено шплинтом, то при каждом монтаже лезвия необходимо устанавливать с новым шплинтом (5). (Рис. 19)

#### ОСТОРОЖНО

Перед началом эксплуатации убедитесь, что ножи установлены надлежащим образом.

#### ОСТОРОЖНО

Если Ваше устройство оборудовано защитной крышкой режущего лезвия, перед началом эксплуатации следует проверить ее состояние и убедиться в отсутствии износа и трещин. При обнаружении повреждений или следов износа, необходимо заменить ее, так как она является расходным материалом.

## Установка режущей головки Brain

### ПРИМЕЧАНИЕ

См. описание процедуры установки в руководстве пользователя Brain, которое прилагается к режущей головке Brain.

### ⚠ ПРЕДОСТЕРЕЖЕНИЕ

Для головки HITACHI Brain или легированной головки HITACHI следует применять только гибкие, немагаллические шнуры, рекомендованные компанией-производителем. Недопустимо применять провод или проволочные тросы. Они могут переломиться и отлететь, что представляет опасность.

### ПРИМЕЧАНИЕ

При использовании легированной головки HITACHI (CH- 100) начальная длина каждого режущего шнура должна составлять около 17 см. (Рис. 20)

## Эксплуатация

### Топливо (Рис. 21)

### ⚠ ПРЕДОСТЕРЕЖЕНИЕ

- Триммер оснащен двухтактным двигателем. Двигатель следует эксплуатировать на топливе, смешанном с маслом. При заливке топлива или обращении с ним следует обеспечить надлежащую вентиляцию.
- Топливо огнеопасно и может причинить серьезные травмы при вдыхании паров или при попадании на тело. Всегда соблюдайте осторожность при обращении с топливом! Всегда обеспечивайте достаточную вентиляцию, когда работаете с топливом в помещении.

### Топливо

- Необходимо использовать только марочный 89 октановый неэтилированный бензин.
- Следует использовать оригинальное двухтактное масло или смесь в пределах от 25:1 до 50:1, соотношение см. на бутылке масла или обратиться к дилеру фирмы HITACHI.
- Если оригинальное масло отсутствует, следует использовать масло с антиоксидантной присадкой, предназначенное для применения в двухтактном двигателе, работающем на топливе, с воздушным охлаждением (марка JASO FC GRADE OIL или ISO EGC GRADE). Не применять смешанное масло BIA или TCW (двухтактный тип с водяным охлаждением).
- Не использовать многостепенное масло (10 W/30) или отработанное масло.
- Топливо и масло следует смешивать только в отдельном чистом контейнере.

Сначала следует заливать только половину необходимого количества топлива, затем добавить необходимый объем масла. Перемешать топливно-масляную смесь (взболтать). Добавить оставшееся топливо. Тщательно смешать (взболтать) топливную смесь перед заполнением топливного бака.

### Заправка топливом

### ⚠ ПРЕДОСТЕРЕЖЕНИЕ

- Перед заправкой необходимо отключить двигатель.
- При заправке топливный бак следует открывать медленно, чтобы сбросить возможное накопившееся избыточное давление.

- После заправки следует осторожно затянуть крышку топливного бака.
- Перед запуском аппарата необходимо отойти не менее чем на 3 метра от места заправки.
- Всегда немедленно смывайте с мылом пролитое на одежду топливо.
- После заправки топливом проверьте, нет ли утечек.

Перед заправкой топливом тщательно очистить участок вокруг крышки бака, чтобы предотвратить попадание грязи в бак. Перед заправкой топливом хорошо смешать топливо путём встряхивания контейнера.

### Запуск (Рис 22, 23, 24, 25)

### ОСТОРОЖНО

Перед запуском необходимо убедиться, что режущий инструмент не заден никакие окружающие объекты.

1. Установить выключатель зажигания (1) в положение ON («вкл»). (Рис. 22, 23)
  - \* Несколько раз нажать на заливочный баллон (4), чтобы топливо потекло через обратную трубку (5) (при наличии) (Рис. 24)
2. Если нажата блокировка дроссельного пускового устройства (2) (при наличии), потянуть дроссельное пусковое устройство и нажать блокировочную кнопку (3), затем сначала медленно отпустить дроссельное пусковое устройство, затем блокировку дроссельного пускового устройства. При этом дроссель заблокируется в пусковом положении. (Рис. 22, 23)
3. Установить рычаг заслонки в положении CLOSED («закрыто») (4). (Рис. 25)
4. Быстро потянуть возвратный стартер, крепко удерживая рычаг в руке и не позволяя ему защёлкнуться назад.
5. Если Вы услышите, что двигатель начинает заводиться, верните рычаг заслонки в положение RUN («работа») (открыто). Затем снова быстро потяните возвратный стартер.

### ПРИМЕЧАНИЕ

Если двигатель не заводится, повторить операцию 2-5 раз.

6. После запуска двигателя необходимо потянуть дроссельное пусковое устройство для разблокировки блокировочной кнопки. Затем позвольте двигателю разогреться в течение 2-3 минут, прежде чем прилагать к нему нагрузку.

### Резка (Рис. 26, 27, 28, 29)

- При резке двигатель должен работать со скоростью более 6500 об/мин. Длительная эксплуатация при низком количестве оборотов может вызвать преждевременный износ муфты.
- Подрезать траву следует справа налево.
- Если вращающиеся лезвия придут в соприкосновение с твердыми объектами в критической зоне, возможно возникновение упора лезвия. Может возникнуть ситуация, несущая опасность для оператора и оборудования. Это явление получило название упор лезвия. В результате оператор может потерять управление устройством, что может привести к серьезным и даже фатальным телесным повреждениям. Упор лезвием может произойти в местах с плохой видимостью.
- Носить ремень следует так, как показано на рисунке (при его наличии). Лезвие вращается против часовой стрелки, поэтому для эффективной работы рекомендуется эксплуатировать устройство справа налево. Не подпускать к рабочей зоне наблюдающих лиц на расстояние ближе 15 м.

## ПРИМЕЧАНИЕ

В случае возникновения опасной ситуации необходимо нажать на кнопку быстрого отключения или потянуть аварийный разъединительный клапан (при наличии). (Рис. 28)

## ⚠ ПРЕДОСТЕРЕЖЕНИЕ

Если режущий инструмент натолкнулся на камни или другие предметы, необходимо отключить двигатель и проверить, не повредился ли инструмент и прилегающие детали. Если трава и стебли наматываются на инструмент, необходимо отключить двигатель и удалить их.

## Остановка (Рис. 30)

Необходимо снизить скорость работы двигателя и в течение нескольких минут дать поработать ему на холостом ходу, затем повернуть выключатель зажигания.

## ⚠ ПРЕДОСТЕРЕЖЕНИЕ

Режущий аппарат может поранить, если он продолжает вращаться после отключения двигателя или если источник питания отключен. Если устройство отключено, убедитесь, что режущий инструмент остановился, прежде чем положить устройство.

## Техобслуживание

**ТЕХОБСЛУЖИВАНИЕ. ЗАМЕНА ИЛИ РЕМОНТ УСТРОЙСТВ И СИСТЕМ ДЛЯ СНИЖЕНИЯ ТОКСИЧНОСТИ ВЫХЛОПОВ МОЖЕТ ВЫПОЛНЯТЬСЯ В РЕМОНТНОЙ МАСТЕРСКОЙ ДЛЯ ДВИГАТЕЛЕЙ ИЛИ ИНДИВИДУАЛЬНЫМ СПЕЦИАЛИСТОМ.**

## Регулировка карбюратора (Рис. 31)

## ⚠ ПРЕДОСТЕРЕЖЕНИЕ

Во время регулировки карбюратора режущий аппарат может вращаться.

## ⚠ ПРЕДОСТЕРЕЖЕНИЕ

Запрещается запускать двигатель без полностью установленного корпуса муфты и смонтированной трубы! Иначе муфта может отсоединиться и причинить телесные повреждения.

В карбюраторе топливо смешивается с воздухом. Карбюратор отрегулирован во время пробного пуска на заводе. Может потребоваться дополнительная регулировка в соответствии с климатом и высотой над уровнем моря. Карбюратор имеет одну возможность регулировки:

**T = Регулировочный винт холостого хода.**

## Регулировка холостого хода (T)

Проверить чистоту воздушного фильтра. Если скорость холостого хода верная, режущий аппарат не вращается. Если требуется регулировка, закручивать (по часовой стрелке) T-винт при работающем двигателе, чтобы режущий аппарат начал вращаться. Откручивать (против часовой стрелки) винт, чтобы режущий аппарат остановился. Вы добились правильной скорости холостого хода, если двигатель плавно работает во всех положениях ниже числа оборотов, когда режущий аппарат начинает вращаться.

Если режущий аппарат продолжает вращаться после выполнения настройки скорости, следует обратиться к дилеру фирмы HITACHI.

## ПРИМЕЧАНИЕ

Стандартное число оборотов холостого хода составляет 2500~3000 об/мин.

## ПРИМЕЧАНИЕ

Некоторые модели, проданные в областях с высокими требованиями в отношении регламентирования газообразных выбросов, не имеют карбюраторных настроек высокой и низкой скорости. Подобные настройки позволяют двигателю работать за рамками контрольных пределов газообразных выбросов. Для этих моделей единственной карбюраторной настройкой является скорость холостого хода.

Для моделей, оснащенных средствами настройки высокой и низкой скорости; карбюраторы предварительно настроены на заводе-изготовителе. Незначительные настройки, в зависимости от климата, высоты над уровнем моря и т.д., могут оптимизировать работу. Недопустимо вращать настроечные винты в сторону увеличения более чем на 90 градусов, поскольку неверная настройка может привести к повреждению двигателя. Если Вы не знакомы с данным типом настройки - обратитесь за консультацией к представителю компании HITACHI.

## ⚠ ПРЕДОСТЕРЕЖЕНИЕ

Если двигатель работает на холостом ходу, режущий аппарат ни в коем случае не должен вращаться.

## Воздушный фильтр (Рис. 32)

Воздушный фильтр должен быть очищен от пыли и грязи во избежание:

- Непололадок карбюратора
- Проблем при запуске
- Снижения мощности двигателя
- Излишнего износа деталей двигателя
- Ненормального расхода топлива

Воздушный фильтр следует очищать один раз в день (или чаще) при эксплуатации в пыльной области.

## Чистка воздушного фильтра

Необходимо снять крышку воздушного фильтра и сам фильтр (1). Промыть его в теплом мыльном растворе. Перед повторной сборкой проверить, чтобы фильтр был сухим. Воздушный фильтр, применявшийся некоторое время, невозможно очистить полностью. Поэтому его следует регулярно заменять на новый. Поврежденный фильтр подлежит обязательной замене.

## Топливный фильтр (Рис. 33)

Полностью слить топливо из топливного бака и извлечь из бака линию топливного фильтра. Извлечь фильтрующий элемент из держателя и промыть его теплой водой с мощным средством.

После этого тщательно смыть остатки моющего средства. Сжать, не выкручивая, чтобы удалить воду и просушить элемент на воздухе.

## ПРИМЕЧАНИЕ

Если из-за наличия пыли и грязи фильтр твердый, то необходимо заменить его.

### Свеча зажигания (Рис. 34)

На состояние свечи зажигания влияют:

- Неверная регулировка карбюратора
- Неверно составленная топливная смесь (избыток масла в топливе)
- Загрязненный воздушный фильтр
- Неблагоприятные условия работы (например, холодная погода)

Эти факторы вызывают отложения на электродах свечи зажигания, что приводит к неполадкам и затруднениям при пуске. Если мощность двигателя снижается, он трудно запускается или плохо работает на холостом ходу, следует в первую очередь проверить свечу зажигания. Если свеча зажигания грязная, необходимо её очистить и проверить межэлектродный зазор. При необходимости выполнить повторную регулировку. Правильный зазор составляет 0,6 мм. Свечу зажигания следует заменять каждые 100 рабочих часов или раньше, если электроды сильно эродированы.

### ПРИМЕЧАНИЕ

В некоторых областях в соответствии с местным законодательством требуется применение резисторных свечей зажигания для подавления сигналов зажигания. Если эта машина изначально оснащена резисторной свечой зажигания, для замены следует использовать такой же тип свечи.

### Угловая передача (Рис. 35)

Через каждые 50 часов эксплуатации необходимо проверять уровень смазки в угловой передаче или угловом редукторе путем удаления заправочной пробки для смазки на боковой стороне угловой передачи.

Если на торцах зубчатых колес не видно следов смазки, необходимо заполнить передачу на 3/4 качественной универсальной литиевой смазкой. Не заполнять передачу полностью.

### Лезвие (Рис. 36)

#### ⚠ ПРЕДОСТЕРЕЖЕНИЕ

**При обращении с лезвием или при выполнении его техобслуживания необходимо использовать защитные перчатки.**

- Необходимо использовать острое лезвие. Тупое лезвие может цепляться за посторонние предметы и вызывать удар. Если крепежная гайка повреждена или трудно затягивается, ее необходимо заменить.
- При замене лезвия следует приобрести лезвие марки, рекомендованной компанией HITACHI, с размером крепежного отверстия 25,4 мм (1 дюйм).
- При установке пильного полотна (2) штампованная сторона должны находиться сверху. В случае использования лезвия с 4 зубцами (1), его можно устанавливать любой стороной.
- Необходимо применять лезвие, соответствующее типу работы.
- При замене лезвия необходимо использовать соответствующий инструмент.
- Если режущие кромки затупились, необходимо заточить их или отшлифовать, как показано на рисунке. Неверная заточка может вызвать чрезмерную вибрацию.
- Изогнутые, деформированные, треснувшие, поломанные лезвия подлежат утилизации.

### ПРИМЕЧАНИЕ

При заточке лезвия необходимо сохранить первоначальную форму радиуса на базе зубца для того чтобы избежать возникновения трещин.

### График техобслуживания

Ниже приведены некоторые общие инструкции по техобслуживанию. Для получения дополнительной информации обратитесь к представителю фирмы HITACHI.

#### Ежедневное техобслуживание

- Необходимо производить очистку наружной поверхности устройства.
- Необходимо проверить целостность ремня.
- Проверьте предохранительный элемент для лезвия на наличие повреждений или трещин. В случае удара или возникновения трещин необходимо заменить предохранительный элемент.
- Убедитесь, что лезвие является острым, без повреждений и центрировано надлежащим образом. Режущий аппарат с нарушенным центрированием создает сильную вибрацию и может повредить устройство.
- Необходимо проверить прочность посадки гайки режущего инструмента.
- Проверка целостности защитного устройства для транспортировки цепи и прочности его крепления.
- Проверка прочности посадки гаек и винтов.

#### Еженедельное техобслуживание

- Проверка стартера, особенно, шнура.
- Чистка наружной поверхности свечи зажигания.
- Демонтировать её и проверить межэлектродный зазор. Отрегулировать его на 0,6 мм или заменить свечу зажигания.
- Проверка чистоты воздухозаборника на стартере.
- Убедиться, что угловой редуктор наполнен смазкой на 3/4.
- Чистка воздушного фильтра.

#### Ежемесячное техобслуживание

- Промыть топливный бак газOLIном и очистить топливный фильтр.
- Чистка наружной поверхности карбюратора и прилегающего участка.

#### Ежеквартальное техобслуживание


- Чистка охлаждающих ребер цилиндра.
- Чистка вентилятора и пространства вокруг него.
- Очистка глушителя от нагара.

#### ОСТОРОЖНО

Чистка охлаждающих ребер цилиндра, вентилятора и глушителя должна выполняться в уполномоченном сервисном центре компании HITACHI.

# MEMO



<p><b>GB</b></p> <p><b>EC DECLARATION OF CONFORMITY</b> (Applies to Europe only) We declare under our sole responsibility that this product is in conformity with Directive 2006/42/EC, 2004/108/EC and 2000/14/EC. The following standards have been taken into consideration. ISO 7112/7113/7916/7918/8380/11682 (EN ISO 12100-2, EN ISO 11806) Annex V (2000/14/EC): For information relating to noise emissions, see the chapter specifications. The European Standards Manager at Hitachi Koki Europe Ltd. is authorized to compile the technical file.  This declaration is applicable to the product affixed CE marking.</p>	<p><b>CZ</b></p> <p><b>PROHLÁŠENÍ O SHODĚ S EC</b> (Platí pouze pro Evropu) Prohlašujeme na svou výhradní zodpovědnost, že tento produkt je v souladu se směrnicemi rady 2006/42/EC, 2004/108/EC a 2000/14/EC. Následující normy byly zohledněny: ISO 7112/7113/7916/7918/8380/11682 (EN ISO 12100-2, EN ISO 11806) Příloha V (2000/14/EC): Ohledně informací o hlukových emisích viz specifi kace kapitól. Vedoucí pracovník pro Evropské normy v Hitachi Koki Europe Ltd. je oprávněn ke zpracování technického souboru.  Toto prohlášení platí pro výrobek označený značkou CE.</p>
<p><b>DE</b></p> <p><b>ERKLÄRUNG ZUR KONFORMITÄT MIT CE-REGELN</b> (Gilt nur für Europa) Wir erklären eigenverantwortlich, dass dieses Produkt den Bestimmungen der Richtlinien 2006/42/EG, 2004/108/EG und 2000/14/EG des Europäischen Rates entspricht. Die nachfolgenden Standards wurden in Betracht gezogen. ISO 7112/7113/7916/7918/8380/11682 (EN ISO 12100-2, EN ISO 11806) Anhang V (2000/14/EG): Informationen zur Geräuschentwicklung finden Sie im Kapitel Spezifikationen. Der Manager für europäische Standards bei der Hitachi Koki Europe Ltd. ist zum Verfassen der technischen Datei befugt.  Diese Erklärung gilt für Produkte, die die CE-Markierung tragen.</p>	<p><b>TR</b></p> <p><b>AB UYGUNLUK BEYANI</b> (Sadece Avrupa ülkeleri için geçerlidir) Yegâne sorumluluğumuz altında, bu ürünün 2006/42/EC, 2004/108/EC ve 2000/14/EC sayılı Konsey Yönergesine uygun olduğunu beyan ederiz. Aşağıdaki standartlar dikkate alınmıştır. ISO 7112/7113/7916/7918/8380/11682 (EN ISO 12100-2, EN ISO 11806) Ek V (2000/14/EC): Gürültü emisyonları hakkında bilgi için, teknik özellikler bölümüne bakın. Hitachi Koki Europe Ltd. Avrupa Standartları Müdürü, teknik dosyayı hazırlama yetkisine sahiptir.  Bu beyan, üzerinde CE işareti bulunan ürünler için geçerlidir.</p>
<p><b>GR</b></p> <p><b>ΕΚ ΔΗΛΩΣΗ ΕΝΑΡΜ ΝΙΣΜΥ</b> (Εφαρμόζεται μόνο για την Ευρώπη) Δηλώνουμε με αποκλειστική μας ευθύνη ότι αυτό το προϊόν βρίσκεται σε συμμόρφωση με τις οδηγίες του Ευρωπαϊκού Συμβουλίου 2006/42/ΕΚ, 2004/108/ΕΚ και 2000/14/ΕΚ. Τα παρακάτω πρότυπα έχουν ληφθεί υπόψη. ISO 7112/7113/7916/7918/8380/11682 (EN ISO 12100-2, EN ISO 11806) Παράρτημα V (2000/14/ΕΚ): Για πληροφορίες σχετικά με την εκπομπή θορύβου, βλέπε τις προδιαγραφές του κεφαλαίου. Ο υπεύθυνος για τα ευρωπαϊκά πρότυπα στην Hitachi Koki Europe Ltd. είναι εξουσιοδοτημένος να συντάσσει τον τεχνικό φάκελο.  Αυτή η δήλωση ισχύει στο προϊόν με το σημάδι CE.</p>	<p><b>RO</b></p> <p><b>DECLARATIE DE CONFORMITATE CE</b> (Valabil numai pentru Europa) Declarăm pe proprie răspundere că prezentul produs este în conformitate cu directivele Consiliului 2006/42/CE, 2004/108/CE și 2000/14/CE. S-a ținut cont de următoarele standarde. ISO 7112/7113/7916/7918/8380/11682 (EN ISO 12100-2, EN ISO 11806) Anexa V (2000/14/CE): Pentru informații legate de emisiile de zgomote, vedeți specificațiile capitolului. Managerul pentru standarde europene al Hitachi Koki Europe Ltd. este autorizat să întocmească fișa tehnică.  Prezenta declarație se referă la produsul pe care este aplicat semnul CE.</p>
<p><b>PL</b></p> <p><b>DEKLARACJA ZGODNOŚCI Z EC</b> (Tylko dla Europy) Deklarujemy z pełną, wyłączną odpowiedzialnością, że produkt spełnia wymogi Dyrektywy Rady 2006/42/EC, 2004/108/EC i 2000/14/EC. Uwzględniono również następujące normy. ISO 7112/7113/7916/7918/8380/11682 (EN ISO 12100-2, EN ISO 11806) Załącznik V (2000/14/EC): Informacje na temat poziomu hałasu znajdują się w części Specyfikacje. Menadzer Standardów Europejskich w firmie Hitachi Koki Europ Ltd. Jest upoważniony do kompilowania pliku technicznego.  To oświadczenie odnosi się do załączonego produktu z oznaczeniami CE.</p>	<p><b>SI</b></p> <p><b>EC DEKLARACIJA O SKLADNOSTI</b> (Velja le za Evropo) Z izključno odgovornostjo izjavljamo, da je ta izdelek v skladu z direktivo Sveta 2006/42/EC, 2004/108/EC in 2000/14/EC. Upoštevani so bili naslednji standardi: ISO 7112/7113/7916/7918/8380/11682 (EN ISO 12100-2, EN ISO 11806) Dodatek V (2000/14/EC): Za informacije v zvezi z emisijami hrupa glejte specifikacije poglavja. Direktor za evropske standarde podjetja Hitachi Koki Europe Ltd. je pooblaščen za sestavljanje tehničnih datotek.  Deklaracija je označena na izdelku s pritrjeno CE oznako.</p>
<p><b>HU</b></p> <p><b>EK MEGFELELŐSÉGI NYILATKOZAT</b> (Csak Európára vonatkozik) Felelősségünk tudatában kijelentjük, hogy ez a termék megfelel a 2006/42/EC, 2004/108/EC és 2000/14/EC irányelveknek. Az alábbi szabványokat vettük figyelembe: ISO 7112/7113/7916/7918/8380/11682 (EN ISO 12100-2, EN ISO 11806) Függelék V (2000/14/EC): A zaj kibocsátási adatokat illetően tekintse meg a Műszaki adatok c. fejezetet. Az Hitachi Koki Europe Ltd. Európai Szabványkezelője fel van hatalmazva a műszaki fájl elkészítésére.  Jelen nyilatkozat a terméken felüntetett CE jelzésre vonatkozik.</p>	
<p>Technical file at: <b>Hitachi Koki Europe Ltd.</b> Clonsbaugh Business &amp; Technology Park, Dublin 17, Ireland</p> <p><b>Nikko Tanaka Engineering Co., Ltd.</b> 3-4-29 Tsudanuma, Narashino, Chiba, Japan</p> <p style="text-align: right;"><b>CE</b> 30. 11. 2009  Yoshio Osada Director</p>	

 **Hitachi Koki Co., Ltd.**