



Oras

INSTALLATION AND MAINTENANCE GUIDE



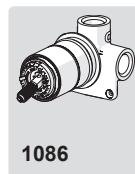
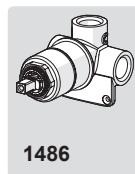
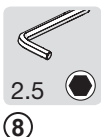
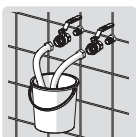
Installation

DK Installation
 EE Paigaldus
 FI Asennus

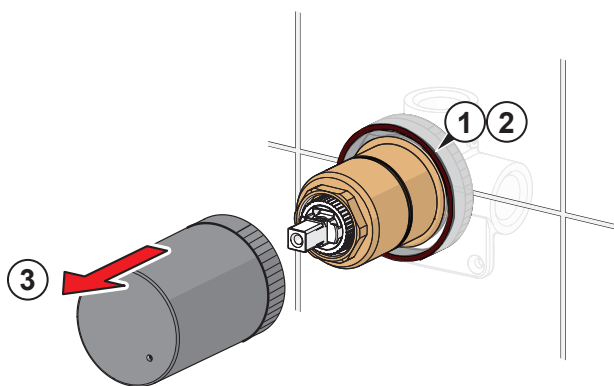
LT Montavimas
 LV Montāža
 NO Montering

PL Instalacja
 RU Установка
 SE Installation

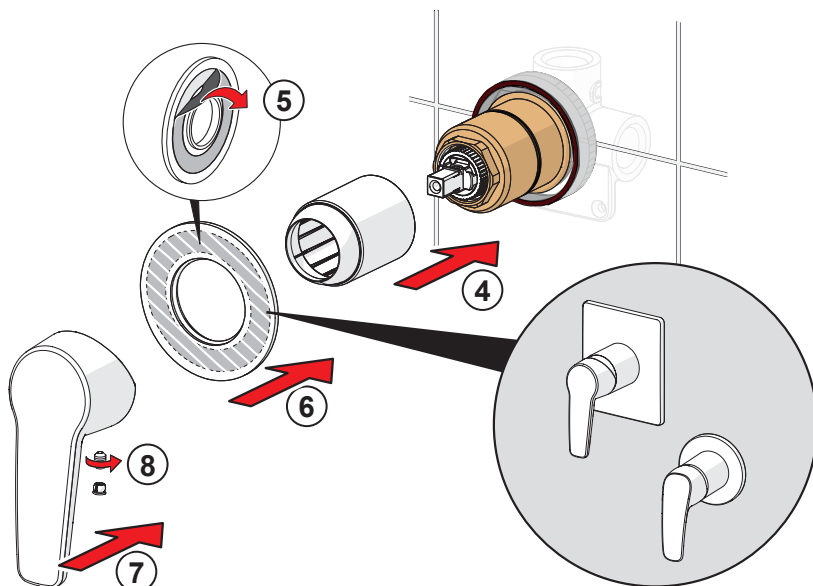
UA Встановлення



1



2



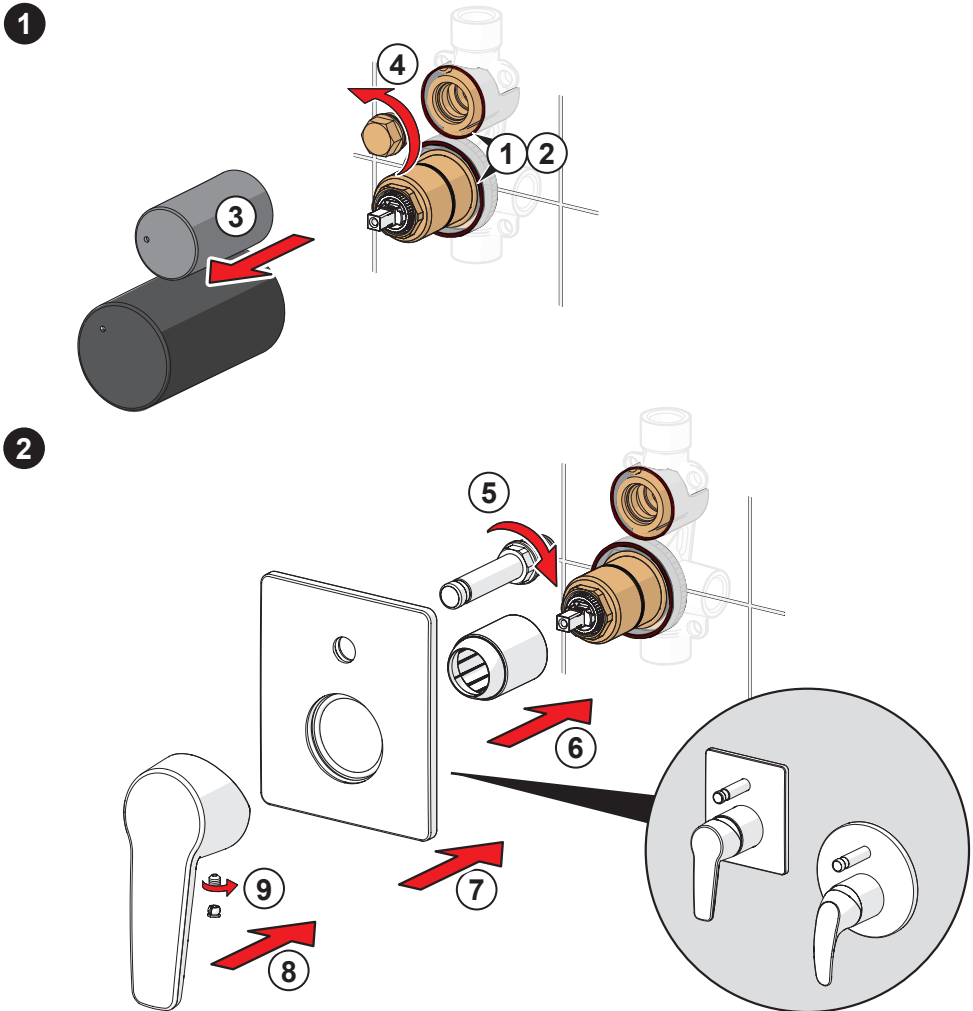
Installation

DK Installation
 EE Paigaldus
 FI Asennus

LT Montavimas
 LV Montāža
 NO Montering

PL Instalacja
 RU Установка
 SE Installation

UA Встановлення



Installation

DK Installation
 EE Paigaldus
 FI Asennus

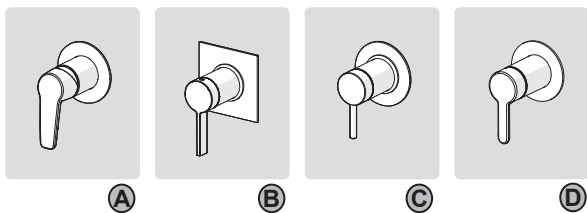
LT Montavimas
 LV Montāža
 NO Montering

PL Instalacja
 RU Установка
 SE Installation

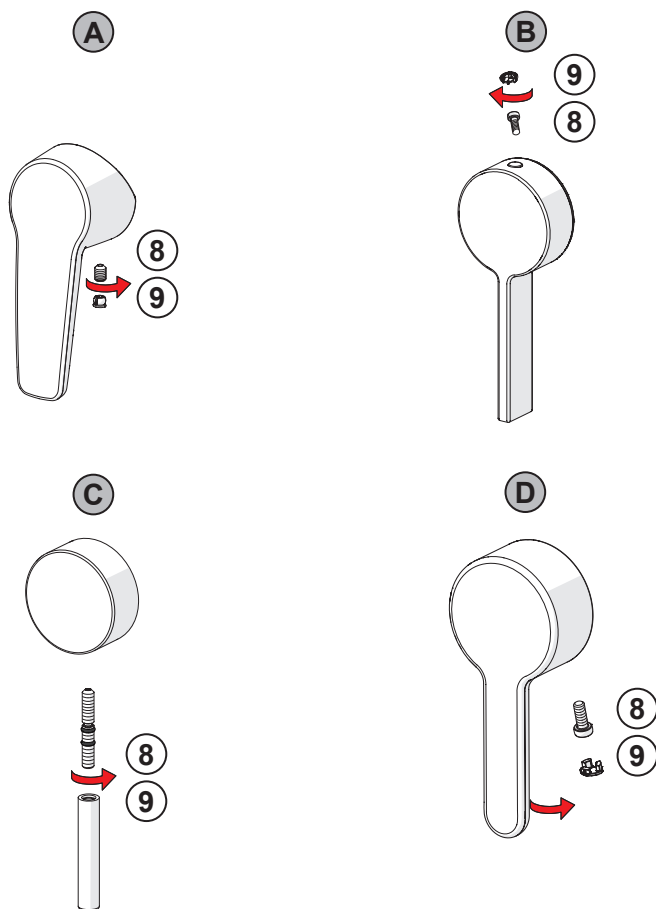
UA Встановлення



8



3



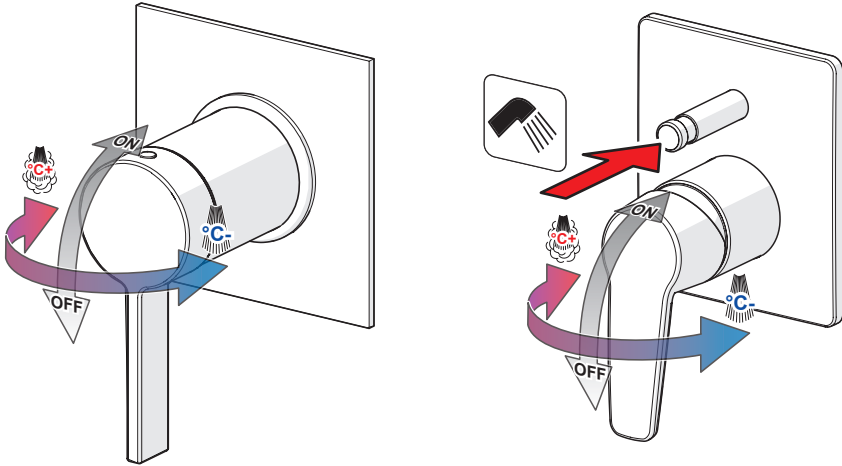
Operation

DK Betjening
EE Toimimine
FI Toiminta

LT Veikimo principas
LV Darbības princips
NO Funksjon

PL Działanie
RU Принцип действия
SE Funktion

UA Принцип дії

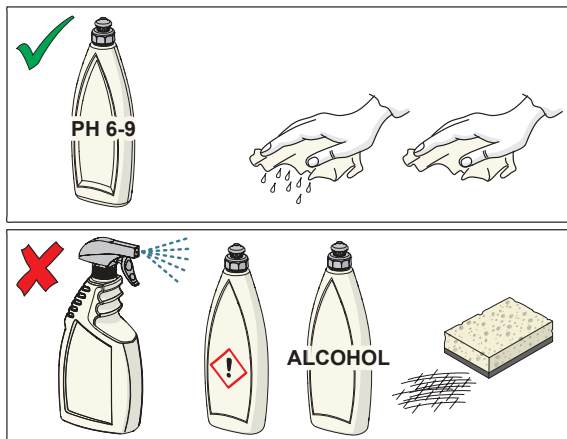


Cleaning the faucet

DK Rengøring af armaturet
EE Puhastamine
FI Puhdistus
LT Maišytuvo valymas

LV Krāna tīrīšana
NO Rengjøring av kranen
PL Czyszczenie baterii
RU Чистка смесителя

SE Rengöring av blandarna
UA Чищення змішувача



Oras Group is a powerful European provider of sanitary fittings: the market leader in the Nordics and a leading company in Continental Europe. The company's mission is to make the use of water easy and sustainable and its vision is to become the European leader of advanced sanitary fittings. Oras Group has two strong brands, Oras and Hansa.

The head office of the Group is located in Rauma, Finland, and the Group has four manufacturing sites: Burglengenfeld (Germany), Kralovice (Czech Republic), Olesno (Poland) and Rauma (Finland). Oras Group employs approximately 1400 people in twenty countries. Oras Group is owned by Oras Invest, a family company and an industrial owner.

ORAS GROUP

Isometsäntie 2, P.O. Box 40

FI-26101 Rauma

Tel. +358 2 83 161

Fax +358 2 831 6300

info.finland@oras.com

www.oras.com

