

AZ L26

con cartuccia joystick

codice
code

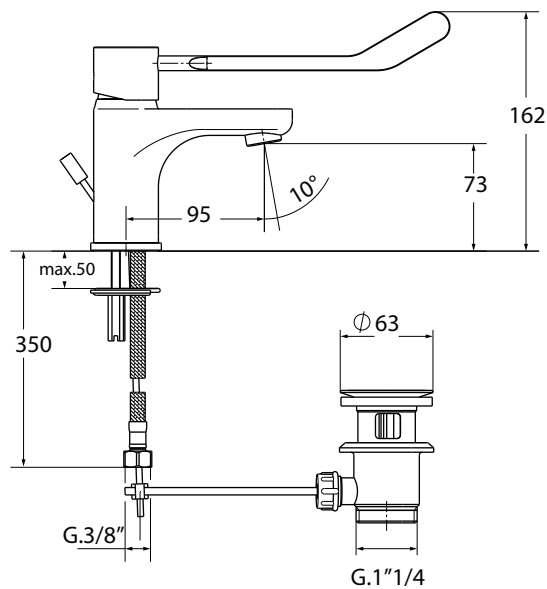


Lavabo leva clinica
Clinical lever washbasin mixer

AZ L26

CM box 40x20 x h7

kg 1,6



scala/scale 1:5 dimensioni/dimensions in mm

Rubinetteria. Taps.



TECHNICAL SHEET n°: 01	DESIGNER: ANGELETTI RUZZA	CODE: AZ L26	Azzurra sanitari in ceramica S.p.a. via Civita Castellana snc 01030 Castel S.Elia (VT) - ITALY Tel. +39.0761 518155 Fax. +39.0761 514560	
SHEET FORMAT: A4	ISO	REVISION: 02	SCALE: 1:5	DATE: 08/10/2019
REGULATIONS				
All the measurements respect the tolerances provided by the "AZZURRA QUALITY GUIDELINES".				

