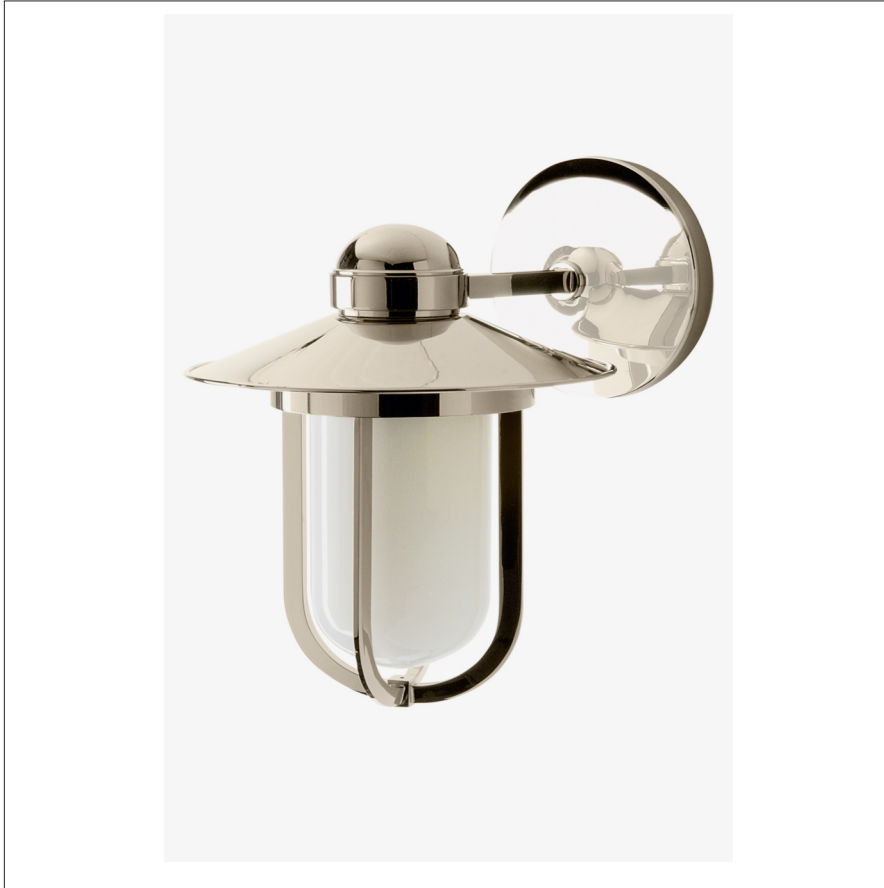


## HAMILTON

## HMLT01

Hamilton Wall Mounted Single Arm Sconce with Glass Shade



SHOWN IN HAMILTON WALL MOUNTED SINGLE ARM SCONCE WITH GLASS SHADE| HMLT01

### TECHNICAL DETAILS

Ambient / Task: Ambient  
Bulb Base Size: E26  
Bulb Type: T-10 or A-19  
Depth / Width: 8 1/4"  
Height: 10 5/8"  
Installation Type: Wall Mounted  
Interior / Exterior Application: Interior Only  
Junction Box Orientation: Any  
Length: 7"  
Light Direction: Down and through the shade  
Number of Bulbs: One  
Orientation: Up  
Primary Material: Brass  
Safety Warnings: Do not exceed max wattage (60).  
Suggested Application: All Applications  
Voltage: 120.0  
Wet / Dry: Damp or Dry

### INSPIRATION

Is utilitarian in feel pulling inspiration from vintage ship passageway lighting.

### CODES & STANDARDS

UL and CUL

### PRODUCT FEATURES

7" x 8 1/4" x 10 5/8"

Made of Brass

Cylinder Shade

Wall Mounted

Uses (1) 60W Max Type T10, E26 Type or 100W Max Type A19, E26 Base Bulb

### CERTIFICATIONS



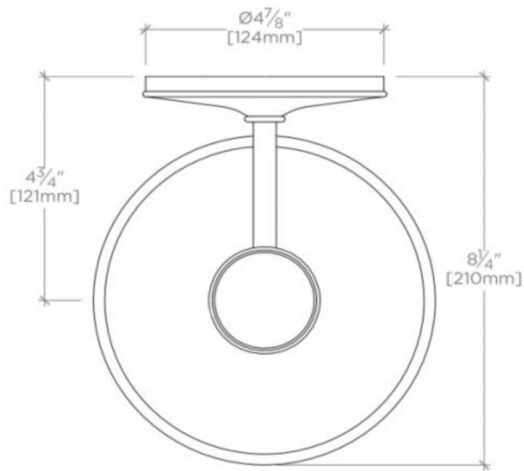
### PRODUCT (NOTES)

Uses one 60 watt max incandescent T-10 (not supplied) or 100 watt max incandescent A-19 (not supplied). Do not exceed max wattage.

## HAMILTON

## HMLT01

Hamilton Wall Mounted Single Arm Sconce with Glass Shade



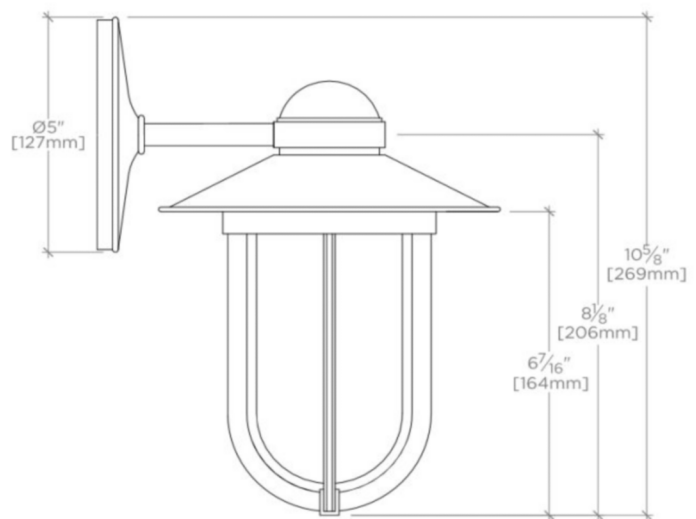
TOP VIEW

SCALE: 3"=1'-0"



FRONT VIEW

SCALE: 3"=1'-0"



SIDE VIEW

SCALE: 3"=1'-0"