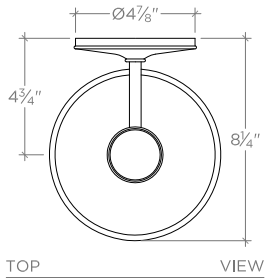
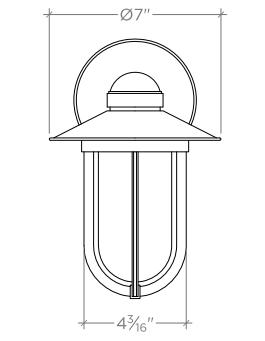


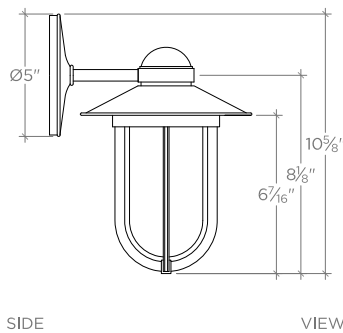
STYLE No. **287963**  
 ITEM No. **18-40532-75942** (Chrome)  
**18-71831-72603** (Nickel)  
**18-50361-20917** (Antique Brass)



TOP VIEW



FRONT VIEW



SIDE VIEW

- Product is intended for incandescent light bulbs but is compatible with standard medium base one-piece spiral fluorescent bulbs. Max wattage is 18 watts.
- Inspect this product to ensure you have all parts required for proper installation.
- Use only a strap wrench or protected/smooth-jaw wrench on any finished surface.

#### **INSTALLATION:**

- **REQUIRED:** Install a 3 1/2" octagonal electrical junction box at the desired height.

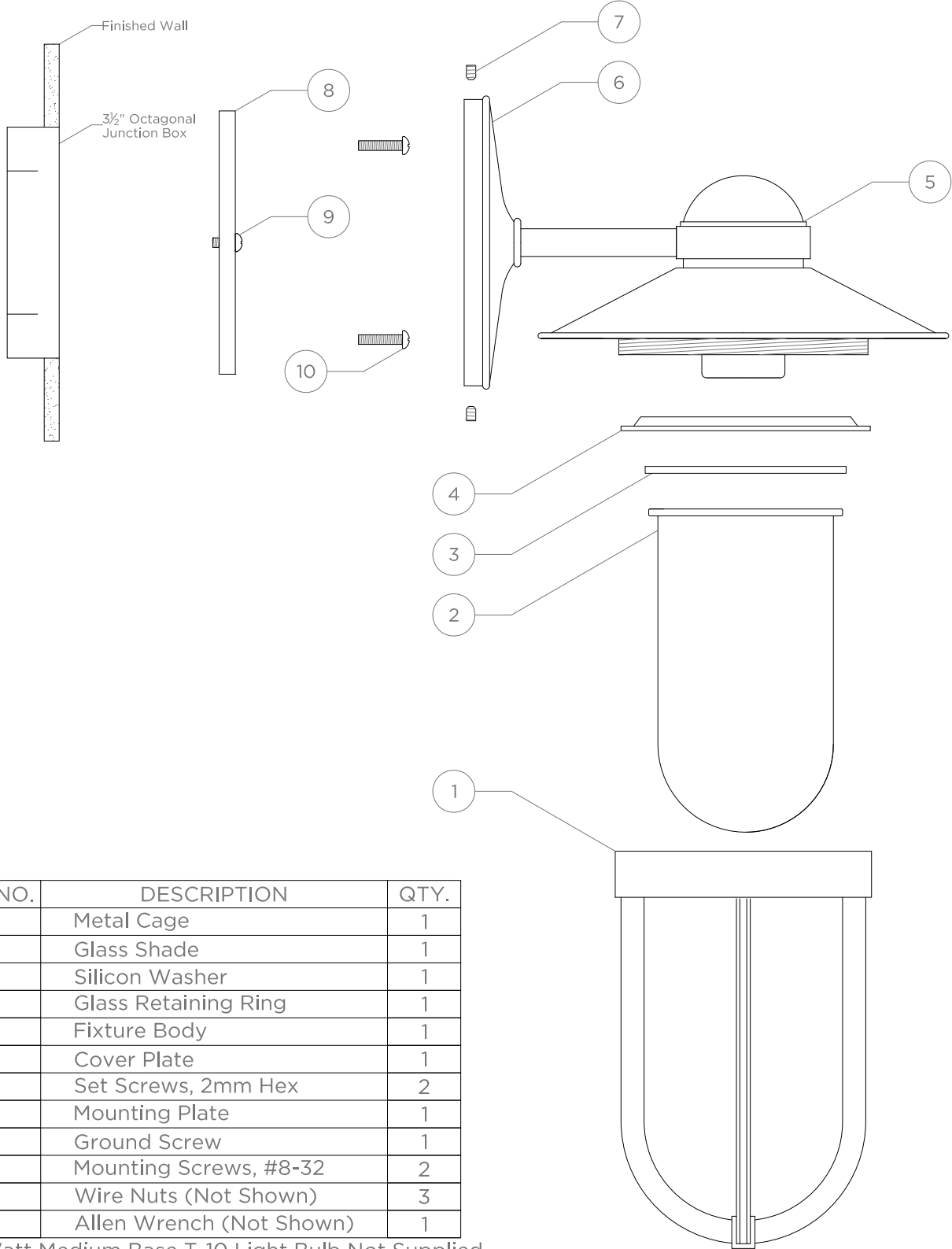
1. Remove the mounting plate (8) by unthreading the set screws (7) on the top and bottom of the cover plate (6) and ensure that the holes on the mounting plate align with the screw holes in the junction box.
  2. Pull the wires in the junction box through the center hole of the mounting plate (8). Attach the mounting plate to the box using 2 #8-32 screws (10) making sure to keep the proper alignment of the plate.
  3. Fasten the bare copper fixture wire to the green or bare copper wire in the box with a wire nut or fasten it to the mounting plate with the ground screw (9) provided.
  4. Fasten the white fixture wire to the white wire in the box with a wire nut. Tightly wrap the connection with electrical tape beginning 1" below the wire nut to ensure the tape seals the end of the nut. Make sure that there are no exposed wires that could cause a short circuit.
  5. Repeat step 4 with the black fixture wire and the black wire from the junction box.
  6. Unthread the metal cage (1) and remove the silicon washer (3) and retaining ring (4). Place the cover plate (6) over the mounting plate (8) and tighten the set screws (7) on the cover plate.
  7. Install the light bulb (not supplied), either a 60 watt medium base T-10 bulb or a 100 watt A-19 bulb.
  8. Insert the glass shade (2) into the metal cage (1). Place the silicon washer (3) over the shade then the glass retaining ring (4) in the proper orientation. Tightly thread the assembly into the fixture (5).
  9. Turn on the power to the junction box at the fuse box/circuit breaker.
- If further assistance is required, please contact Product Support at 1-800-927-2120 Ext. 3 (9am-6pm EST).

#### **IMPORTANT:**

- **WARNING:** The power supply must be turned off prior to installation. Turn off the main electrical supply to the junction box from the fuse box/circuit breaker. Turning power off at the switch is not sufficient.
- To ensure this product is installed properly, you must read and follow these guidelines.
- The owner/user of this product must keep this information for future reference.
- This product is U.L. certified and is suitable for damp or dry locations. The U.L. listing mark can be found on the inside of the cover plate.
- Be sure your installation conforms to all federal, state, and local codes.
- This product must be installed by a professional licensed electrical contractor.
- Refer to the specification and assembly drawings attached. Product is sold partially assembled but shown fully disassembled for illustrative and service purposes only.
- Max wattage for this product is 60 watts for T-10 incandescent light bulbs and 100 watts for A-19 incandescent light bulbs.

These guidelines have been prepared for the professional contractor to aid in the installation of:  
**HAMILTON WALL MOUNTED SINGLE ARM SCONCE (STYLE NO. 287963)**  
 All dimensions are based on origin specification and are subject to change and variation.  
 Please consult your Design Associate for current specifications.

**WATERWORKS**



ITEM NO.	DESCRIPTION	QTY.
1	Metal Cage	1
2	Glass Shade	1
3	Silicon Washer	1
4	Glass Retaining Ring	1
5	Fixture Body	1
6	Cover Plate	1
7	Set Screws, 2mm Hex	2
8	Mounting Plate	1
9	Ground Screw	1
10	Mounting Screws, #8-32	2
11	Wire Nuts (Not Shown)	3
12	Allen Wrench (Not Shown)	1

\* 60 Watt Medium Base T-10 Light Bulb Not Supplied

\* 100 Watt A-19 Light Bulb Not Supplied

These guidelines have been prepared for the professional contractor to aid in the installation of:  
**HAMILTON WALL MOUNTED SINGLE ARM SCONCE (STYLE NO. 287963)**  
 All dimensions are based on origin specification and are subject to change and variation.  
 Please consult your Design Associate for current specifications.

**WATERWORKS**